

### OVERVIEW

High-quality LED wall pack. The optional factory-installed Sigtex Emergency Lighting Control option ensures full emergency code compliance at the lowest possible cost.

### SPECIAL FEATURES

- **Emergency lighting from 1,400 Lm to 1,960 Lm with adjustable Emergency Lighting Control (ELC), powered from a Sigtex low-voltage central battery system. See Page 3 for details.**
- Available with factory-installed UL Listed Emergency Lighting Control (ELC), for connection to a Sigtex central battery, DC emergency power system.
- Integral photocell is standard
- Diecast alloy housing with dark bronze powder coat finish standard
- Available in 3000k, (warm white), 4000k (neutral white), and 5000k (cool white) color temperatures\*
- Long-life LEDs provide at least 70% of initial lumen output (L70) for > 174,000 hours of operation, and at least 90% of initial lumen output (L90) for > 51,000 hours of operation\*
- 0-10vdc dimming drivers, which provide 10% continuous dimming are standard
- Power factor > 0.90
- Diffused polycarbonate lens
- Two ½" NPT threaded openings
- Easy installation in new construction or retrofit applications
- AC & DC Operation

\* Contact factory for other color temperatures and lumen packages.

\*\* L70 hours are IES TM-21-11 calculated hours.

### WARRANTY & LISTINGS

- cULus listed for wet locations in ambient temperatures from -30°C to 45°C (-22°F to 113°F)
- IP65 rated for ingress protection
- Complies with FCC Part 15, class B.
- Surge immunity protection (2.5kV)
- View Sigtex [Warranty](#) for further details

PROJECT:

TYPE:

CATALOG #:



### FIXTURE ORDERING INFORMATION EXAMPLE: WPE-20-3L-MV-3K-ELCP10P1

WPE									
SERIES	POWER WATTS	LUMENS <sup>2</sup>		VOLTAGE		COLOR TEMPERATURE		OPTIONS <sup>1</sup>	
WPE	20	3L	3000Lm	MV	120-277VAC	3K	3000K	ELCPXX	Emergency Lighting Control
						4K	4000K		**XX*= VARIES WITH FIXTURE SIZE AND POWER.
						5K	5000K		SEE OPTIONS TABLE FOR COMPLETE PART NUMBER.



<sup>1</sup> See Option Detail Tables

<sup>2</sup> Average values. Contact factory for specific value.

## ELECTRICAL DATA

MODEL	COLOR TEMPERATURE	CRI <sup>1</sup>	LUMINAIRE LUMENS	LUMINAIRE WATTS	LUMENS/WATT	INPUT VOLTAGE <sup>2</sup>	INPUT CURRENT (A)			POWER FACTOR	THD <sup>3</sup>	L <sub>70</sub> Hours <sup>4</sup>
							120V	240V	277V			
WPE-3L-3K	3000K	>80	2,261	20	133	120-277	0.17	0.08	0.07	>0.09	<20%	174,000
WPE-3L-4K	4000K	>80	2,794	19	144	120-277	0.16	0.08	0.07	>0.09	<20%	174,000
WPE-3L-5L	5000K	>80	2,726	20	140	120-277	0.17	0.08	0.07	>0.09	<20%	174,000

<sup>1</sup> Color rendering index.

<sup>2</sup> All 50-60Hz.

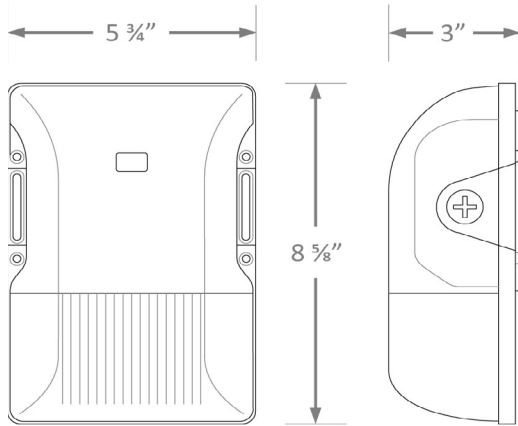
<sup>3</sup> Total harmonic distortion.

<sup>4</sup> L<sub>70</sub> refers to the number of hours at which lumen output declines to 70% of the initial level. L<sub>70</sub> hours are IES TM-21-11 calculated hours.

## PHOTOMETRIC DATA

- [IES Files and Zonal Lumen Summaries and Polar Diagrams](#)

## DIMENSIONS



## OPTIONS

**EMERGENCY LIGHTING CONTROLS (ELC)** For use with Central Battery Systems (purchased separately)

MODEL	OPTION CODE	
	ELC10P1	ELC14P1
	EM Lumens <sup>1</sup>	EM Lumens <sup>2</sup>
WPE20	1400	1960

<sup>1</sup> Minimum <sup>2</sup> Maximum

Note: Lumen output is factory adjustable. Contact factory for specific values.

Learn more about ELC's on our website, [www.signtexinc.com](http://www.signtexinc.com).

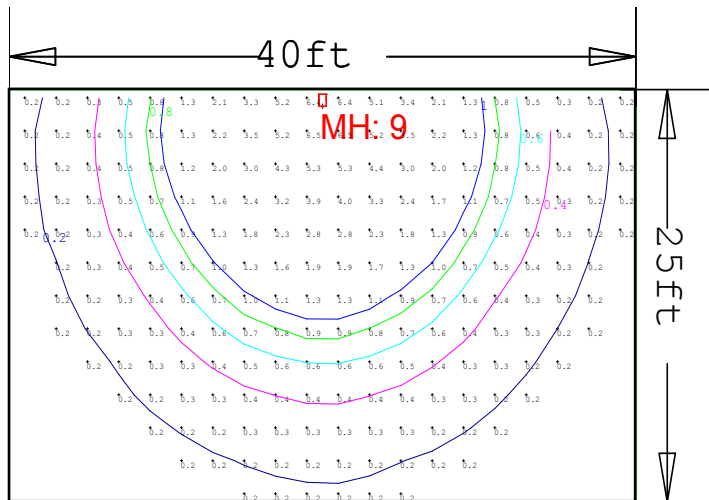
## Emergency Lighting with ELC

The following Point-to-Point sample shows typical performance in the medium power range for both fixture and ELC, based on IES files and using a light loss factor (LLF) calculated as follows:

**LIGHT LOSS FACTOR = ELC Emergency Power (Watts)\*/ Fixture Normal Power (Watts)**

**LLF =  $\frac{\text{ELC Emergency Power* (Watts)}}{\text{Fixture Normal Power (Watts)}}$**  \*Power value and ELC Type are given in the OPTION CODE above.  
**Example: ELC10P1 = 10 Watts Emergency Power for 90 mins: Package Type P1**

The calculation is based on illumination values given in NFPA 101 and NEC 70, which stipulate an initial minimum average of 1 Fc at floor level, a minimum of 0.1 Fc at any point, and a uniformity ratio no higher than 40:1. NOTE, values are allowed to decrease 40% after 90 minutes, but ELC is a constant power device so emergency illumination does NOT decrease.



MODEL	ELC OPTION #	ELC POWER	EMERGENCY LUMENS	LLF	MOUNT HEIGHT	AVG. LUMENS ON PATHWAY	MAX/MIN UNIFORMITY
WPE20	ELC10P1	10 Watts	1395	0.51	9 FT	1.04 Fc	32.50