

PHOTOMETRIC DATA

WPA-3L-4K

Luminaire Data

Description	Adjustable Wall Pack 3L, 4K
Total Lumens	2,680
Input Wattage	23
Efficacy (lm/W)	117
Max. Cd.	1413.96 (360H, 22V)
IES Classification	Type II
Longitudinal Classification	Very Short

Zonal Lumen Summary

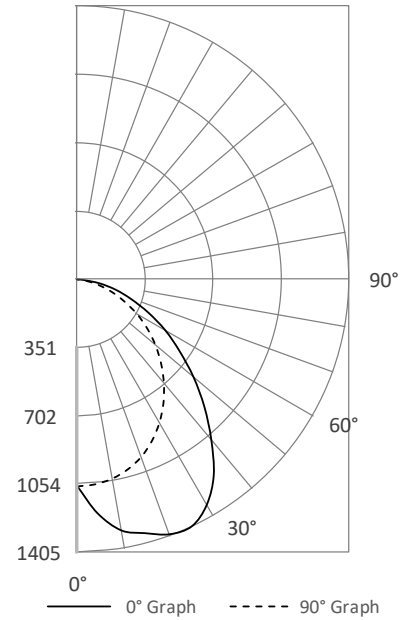
Zone	Lumens	%Fixt
0-30°	824	30.8%
0-60°	2,217	82.7%
0-80°	2,652	98.9%
80-90°	28	1.1%*
0-90°	2,680	100.0%
90-110°	0	0.0%
110-180°	0	0.0%
0-180°	2,680	100.0%

* 80-90° glare zone is calculated by dividing the lumens in that zone by the lumen total in the 0-90° zone

Luminaire Classification Systems (LCS)

LCS Zone	Lumens	%Lum
FL 0-30	520	19.4%
FM 30-60	993	37.1%
FH 60-80	316	11.8%
FVH 80-90	21	0.8%
BL 0-30	305	11.4%
BM 30-60	399	14.9%
BH 60-80	118	4.4%
BVH 80-90	7	0.3%
UL 90-100	0	0.0%
UH 100-180	0	0.0%
Total	2,680	99.9%
BUG Rating	B1-U0-G1	

180° Polar Graph



WPA-4L-4K

Luminaire Data

Description	Adjustable Wall Pack 4L, 4K
Total Lumens	4,234
Input Wattage	37
Efficacy (lm/W)	114
Max. Cd.	2251.44 (360H, 23V)
IES Classification	Type II
Longitudinal Classification	Very Short

Zonal Lumen Summary

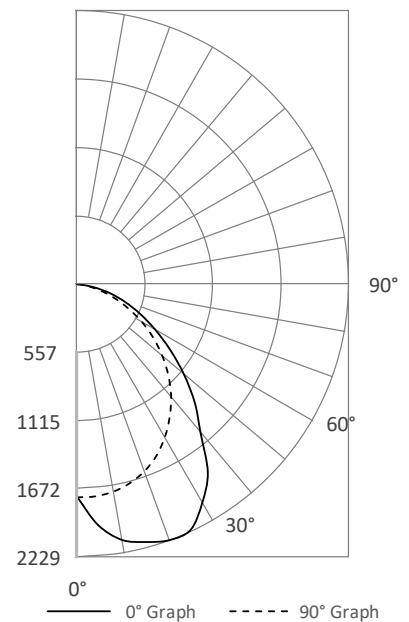
Zone	Lumens	%Fixt
0-30°	1,347	31.8%
0-60°	3,541	83.6%
0-80°	4,196	99.1%
80-90°	38	0.9%*
0-90°	4,234	100.0%
90-110°	0	0.0%
110-180°	0	0.0%
0-180°	4,234	100.0%

* 80-90° glare zone is calculated by dividing the lumens in that zone by the lumen total in the 0-90° zone

Luminaire Classification Systems (LCS)

LCS Zone	Lumens	%Lum
FL 0-30	836	19.8%
FM 30-60	1,531	36.2%
FH 60-80	462	10.9%
FVH 80-90	26	0.6%
BL 0-30	511	12.1%
BM 30-60	663	15.7%
BH 60-80	192	4.5%
BVH 80-90	12	0.3%
UL 90-100	0	0.0%
UH 100-180	0	0.0%
Total	4,234	100.0%
BUG Rating	B2-U0-G1	

180° Polar Graph



WPA-7L-4K

Luminaire Data

Description	Adjustable Wall Pack 7L, 4K
Total Lumens	6,601
Input Wattage	58
Efficacy (lm/W)	114
Max. Cd.	3506.76 (360H, 23V)
IES Classification	Type II
Longitudinal Classification	Very Short

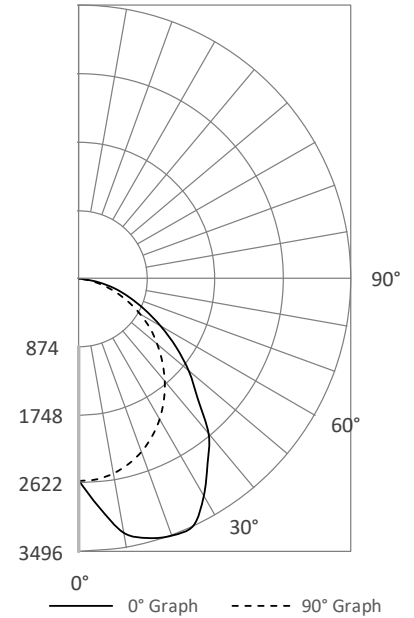
Zonal Lumen Summary

Zone	Lumens	%Fixt
0-30°	2,048	31.0%
0-60°	5,464	82.8%
0-80°	6,527	98.9%
80-90°	74	1.1%*
0-90°	6,601	100.0%
90-110°	0	0.0%
110-180°	0	0.0%
0-180°	6,601	100.0%

Luminaire Classification Systems (LCS)

LCS Zone	Lumens	%Lum	
FL	0-30	1,286	19.5%
FM	30-60	2,388	36.2%
FH	60-80	752	11.4%
FVH	80-90	53	0.8%
BL	0-30	762	11.5%
BM	30-60	1,028	15.6%
BH	60-80	311	4.7%
BVH	80-90	21	0.3%
UL	90-100	0	0.0%
UH	100-180	0	0.0%
Total		6,601	100.0%
BUG Rating			B2-U0-G1

180° Polar Graph



* 80-90° glare zone is calculated by dividing the lumens in that zone by the lumen total in the 0-90° zone

Photometric Data

WPA-4L-4K

Luminaire Data

Description	Adjustable Wall Pack 4L, 4K
Total Lumens	4,234
Input Wattage	37
Efficacy (lm/W)	114
Max. Cd.	2251.44 (360H, 23V)
IES Classification	Type II
Longitudinal Classification	Very Short

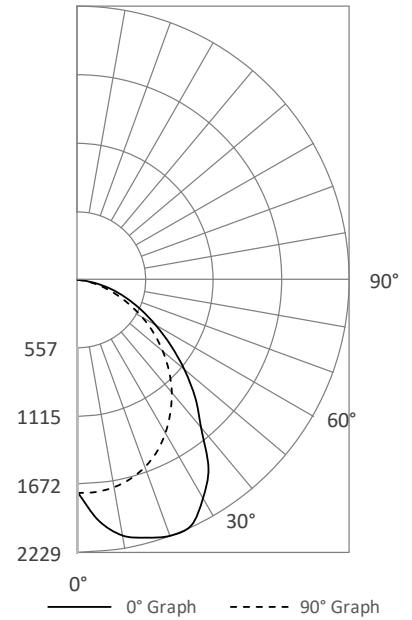
Zonal Lumen Summary

Zone	Lumens	%Fixt
0-30°	1,347	31.8%
0-60°	3,541	83.6%
0-80°	4,196	99.1%
80-90°	38	0.9%*
0-90°	4,234	100.0%
90-110°	0	0.0%
110-180°	0	0.0%
0-180°	4,234	100.0%

Luminaire Classification Systems (LCS)

LCS Zone		Lumens	%Lum
FL	0-30	836	19.8%
FM	30-60	1,531	36.2%
FH	60-80	462	10.9%
FVH	80-90	26	0.6%
BL	0-30	511	12.1%
BM	30-60	663	15.7%
BH	60-80	192	4.5%
BVH	80-90	12	0.3%
UL	90-100	0	0.0%
UH	100-180	0	0.0%
Total		4,234	100.0%
BUG Rating		B2-U0-G1	

180° Polar Graph



* 80-90° glare zone is calculated by dividing the lumens in that zone by the lumen total in the 0-90° zone

WPA-7L-4K

Luminaire Data

Description	Adjustable Wall Pack 7L, 4K
Total Lumens	6,601
Input Wattage	58
Efficacy (lm/W)	114
Max. Cd.	3506.76 (360H, 23V)
IES Classification	Type II
Longitudinal Classification	Very Short

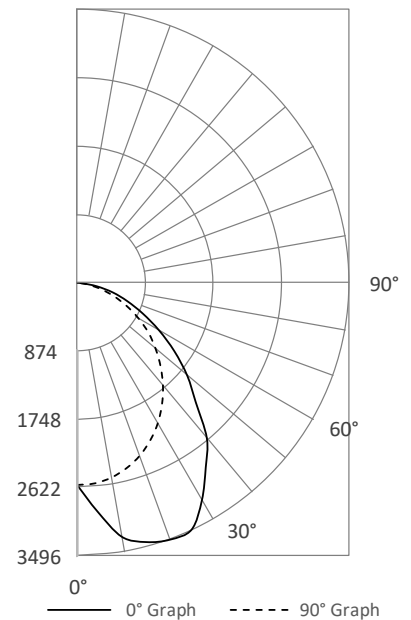
Zonal Lumen Summary

Zone	Lumens	%Fixt
0-30°	2,048	31.0%
0-60°	5,464	82.8%
0-80°	6,527	98.9%
80-90°	74	1.1%*
0-90°	6,601	100.0%
90-110°	0	0.0%
110-180°	0	0.0%
0-180°	6,601	100.0%

Luminaire Classification Systems (LCS)

LCS Zone		Lumens	%Lum
FL	0-30	1,286	19.5%
FM	30-60	2,388	36.2%
FH	60-80	752	11.4%
FVH	80-90	53	0.8%
BL	0-30	762	11.5%
BM	30-60	1,028	15.6%
BH	60-80	311	4.7%
BVH	80-90	21	0.3%
UL	90-100	0	0.0%
UH	100-180	0	0.0%
Total		6,601	100.0%
BUG Rating		B2-U0-G1	

180° Polar Graph



* 80-90° glare zone is calculated by dividing the lumens in that zone by the lumen total in the 0-90° zone