

## OVERVIEW

The RHB series is a group of full-body, premium-performance round LED high bay luminaires, designed to illuminate a wide variety of settings, including commercial warehouses, manufacturing plants, sporting venues and big-box retailers.

PROJECT:

TYPE:

CATALOG #:

## SPECIAL FEATURES

- Available in 4000k (neutral white) and 5000k (cool white) color temperatures\*
- Long-life LEDs provide 174,000 hours of operation with at least 70% of initial lumen output (L<sub>70</sub>).\*\*
- Provides a range of 14,000 to 34,000 nominal lumens.\*
- Universal 120-277 AC voltage (50-60Hz) and 6-foot incoming AC power cords are standard.
- 1-10vdc dimming drivers are standard.
- Watertight, compression-type electrical connectors.
- Mounting options include suspension from pre-installed mounting hook, yoke mounting, snap hook, and attachment to electrical conduit.
- Tempered Glass lens.
- Power factor > 90.
- Total harmonic distortion < 20%.
- Color rendering index > 80.
- Die cast aluminum housing, painted black.
- Easy installation in new construction or retrofit.

\* Contact factory for other color temperatures and lumen packages.

\*\* L70 hours are IES TM-21-11 calculated hours.

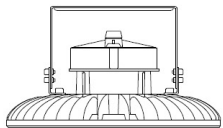


## MOUNTING

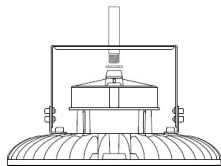
- Suspension from pre-installed mounting eyebolt with locking set screw is standard
- Ceiling-mounted installation (using optional yoke mounting bracket, provides up to 180° of adjustability)
- Two ways to mount luminaire to electrical conduit: - Attach conduit (1/2" NPS) to optional yoke mounting bracket - Optional pendant snap hook

## WARRANTY & LISTINGS

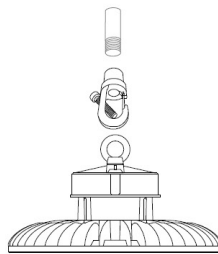
- cULus listed for wet locations in ambient temperatures from - 30°C to 50°C (-22°F to 122°F).
- IP66 rated for ingress protection.
- Complies with FCC Part 15.
- Complies with EN61000-4-5, surge immunity protection (4kV).
- View Sigtex [Warranty](#) for further details



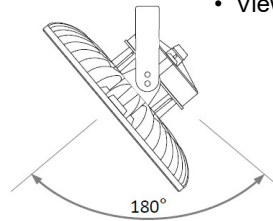
Ceiling-Mounted



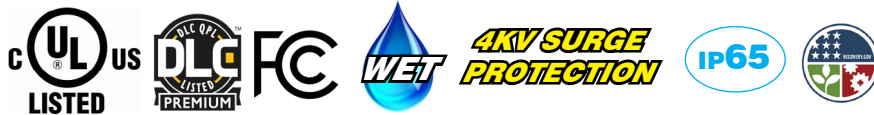
1/2" Conduit-Mounted



3/4" Conduit-Mounted



Adjustable



## FIXTURE ORDERING INFORMATION EXAMPLE: RHB-100-14L-4K-PSH

RHB

SERIES	POWER WATTS	LUMEN OUTPUT	COLOR TEMPERATURE	OPTIONS (SEE PAGE 2 FOR DETAILS)
RHB	100	14L 14,000	4K 4000k	PSH Pendant snap hook
	150	21L 21,000	5K 5000k	YMB-14-21 Yoke mount bracket (14L-21L models)
	200	28L 28,000		YMB-28-34 Yoke mount bracket (28L-34L models)
	240	34L 34,000		



## ELECTRICAL DATA

MODEL	COLOR TEMP.	CRI <sup>1</sup>	LUMINAIRE LUMENS	LUMINAIRE WATTS	LUMENS/ WATT	INPUT VOLTAGE <sup>2</sup>	INPUT CURRENT (A)			POWER FACTOR	THD <sup>3</sup>	L <sub>70</sub> HOURS <sup>4</sup>
							120V	240V	277V			
RHB-14L-4K	4000k	>80	14,497	102	142	120-277	0.85	0.43	0.37	>90%	<20%	174,000
RHB-14L-5K	5000k	>80	14,864	102	146	120-277	0.85	0.43	0.37	>90%	<20%	174,000
RHB-21L-4K	4000k	>80	20,859	150	139	120-277	1.25	0.63	0.54	>90%	<20%	174,000
RHB-21L-5K	5000k	>80	21,406	150	142	120-277	1.25	0.63	0.54	>90%	<20%	174,000
RHB-28L-4K	4000k	>80	28,341	200	141	120-277	1.67	0.83	0.72	>90%	<20%	174,000
RHB-28L-5K	5000k	>80	28,948	200	145	120-277	1.67	0.83	0.72	>90%	<20%	174,000
RHB-34L-4K	4000k	>80	33,552	241	139	120-277	2.00	1.00	0.87	>90%	<20%	174,000
RHB-34L-5K	5000k	>80	34,240	241	142	120-277	2.00	1.00	0.87	>90%	<20%	174,000

<sup>1</sup> Color rendering index.

<sup>2</sup> All 50-60Hz.

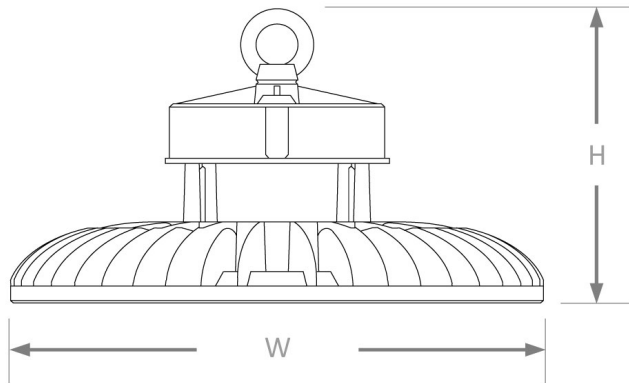
<sup>3</sup> Total harmonic distortion.

<sup>4</sup> L<sub>70</sub> refers to the number of hours at which lumen output declines to 70% of the initial level. L<sub>70</sub> hours are IES TM-21-11 calculated hours.

## PHOTOMETRIC DATA

- [IES Files and Zonal Lumen Summaries and Polar Diagrams](#)

## DIMENSIONS



Model	Diameter	Height	Weight
14L & 21L	11.7"	7.3"	6.8 lbs.
28L & 34L	14.2"	8.5"	11.2 lbs.