

OVERVIEW

The GLC series garage luminaire is a premium-performance solution for illuminating parking garages, storage areas, stairwells, and other applications requiring a low-profile luminaire that can be surface or pendant-mounted. With a die cast aluminum housing and a polycarbonate lens, the GLC will stand up to many years of punishing environmental conditions. High-efficacy, long long-life LEDs provide both energy and maintenance cost savings compared to traditional garage lights with HID, fluorescent or incandescent lamps. The optional factory-installed Sigtex Emergency Lighting Control option ensures full emergency code compliance at the lowest possible cost.

SPECIAL FEATURES

- **Emergency lighting from 1,300 Lm to 5,000 Lm with adjustable Emergency Lighting Control (ELC), powered from a Sigtex low-voltage central battery system. See Page 3 for details.**
- Available with factory-installed UL Listed Emergency Lighting Control (ELC), for connection to a Sigtex central battery, DC emergency power system.
- Available in 4000k (neutral white) and 5000k (cool white) color temperatures.*
- Long -life LEDs provide at least 171,000 hours of operation with at least 70% of initial lumen output (L L70). **
- Provides a range of 3,137 to 12,708 lumens. lumens.*
- Universal 120 120-277 AC voltage (50 50-60Hz) is standard.
- 0-10vdc dimming drivers are standard (except model GLC GLC-3).
- Mounting options include surface surface-mounting and pendant pendant-mounting using electrical conduit.
- Optional, integral Merrytek microwave occupancy/daylight sensor is installed inside the luminaire housing, and provides both on/off and dimming functions. 1To order, add the suffix " OS " to your luminaire catalog number (see example below).
- Power factor > 0.90.
- Total harmonic distortion < 20%.
- Color rendering index > 80.
- Die cast aluminum housing, painted white or dark bronze.
- Easy installation in new construction or retrofit.

*Contact factory for other color temperatures and lumen packages.

** L70 hours are IES TM TM-21 -11 calculated hours.

PROJECT:

TYPE:

CATALOG #:



WARRANTY & LISTINGS

- cULus listed for wet locations in ambient temperatures from -20°C to 55°C (-4°F to 131°F).
- IP65 rated for ingress protection.
- DLC premium approved models are GLC-5, -7 & -13 (primary use category: Parking Garage Luminaires).
- DLC standard approved. (GLC-3)
- Complies with FCC Part 15, class B.
- Standard models comply with EN61000-4-5, surge immunity protection (GLC-3 at 2kV; all other models at 4kV). Optional 10kV surge protector available (see below for ordering information).
- View Sigtex [Warranty](#) for further details



FIXTURE ORDERING INFORMATION EXAMPLE: GLC-24-3L-MV-4K-ELCP10P4

GLC

SERIES	POWER WATTS	LUMENS ²	VOLTAGE	COLOR TEMPERATURE	OPTIONS ¹
GLC	24	3L 3000Lm	MV 120-277VAC	4K 4000K	ELCPXX Emergency Lighting Control ³ WHT White Housing BRZ Bronze Housing OS Internal Occupancy Sensor SP10 TDC Model 10KV Surge Protector
	40	5L 5000Lm		5K 5000K	
	56	7L 7000Lm			
	102	12L 12000Lm			
<p>¹**XX"= VARIES WITH FIXTURE SIZE AND POWER. SEE OPTIONS TABLE FOR COMPLETE PART NUMBER.</p>					

¹ See Option Detail Tables

² Average values. Contact factory for specific value.

ELECTRICAL DATA

MODEL	COLOR TEMP.	CRI ¹	LUMINAIRE LUMENS	LUMINAIRE WATTS	LUMENS/ WATT	INPUT VOLTAGE ²	INPUT CURRENT (A)			POWER FACTOR	THD ³	L ₇₀ HOURS ⁴
							120V	240V	277V			
GLC-3-4K-UNV	4000K	>80	3,137	24	131	120-277	0.20	0.10	0.09	> 90%	< 20%	174,000
GLC-3-5K-UNV	5000K	>80	3,149	24	131	120-277	0.20	0.10	0.09	> 90%	< 20%	174,000
GLC-5-4K-UNV	4000K	>80	4,943	40	124	120-277	0.33	0.17	0.14	> 90%	< 20%	174,000
GLC-5-5K-UNV	5000K	>80	5,024	40	126	120-277	0.33	0.17	0.14	> 90%	< 20%	174,000
GLC-7-4K-UNV	4000K	>80	7,002	56	125	120-277	0.47	0.23	0.20	> 90%	< 20%	174,000
GLC-7-5K-UNV	5000K	>80	7,077	56	126	120-277	0.47	0.23	0.20	> 90%	< 20%	174,000
GLC-13-4K-UNV	4000K	>80	12,516	102	123	120-277	0.85	0.43	0.37	> 90%	< 20%	174,000
GLC-13-5K-UNV	5000K	>80	12,708	102	125	120-277	0.85	0.43	0.37	> 90%	< 20%	174,000

¹ Color rendering index.

² All 50-60Hz.

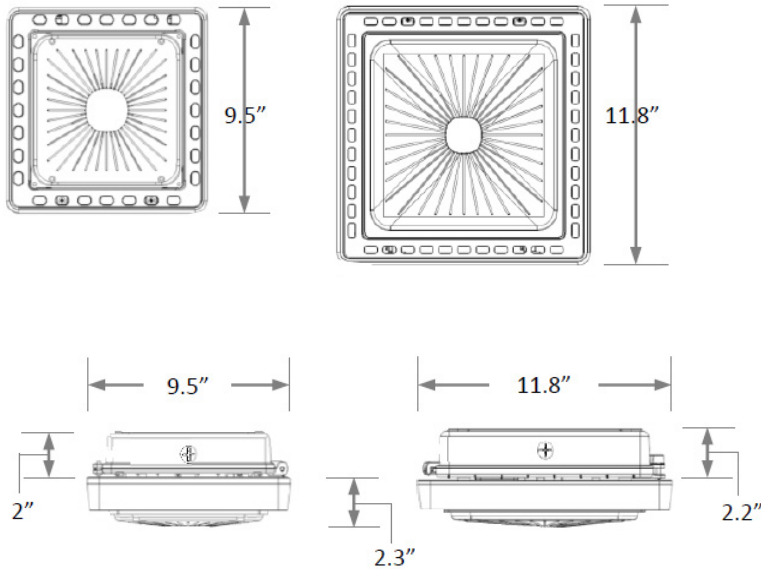
³ Total harmonic distortion.

⁴ L₇₀ refers to the number of hours at which lumen output declines to 70% of the initial level. L₇₀ hours are IES TM-21-11 calculated hours.

PHOTOMETRIC DATA

- [IES Files and Zonal Lumen Summaries and Polar Diagrams](#)

DIMENSIONS



OPTIONS

EMERGENCY LIGHTING CONTROLS (ELC)

For use with Central Battery Systems (purchased separately)

MODEL	OPTION CODE				
	ELC10P2	ELC14P2	ELC20P4	ELC30P4	ELC40P4
	EM Lumens ¹	EM Lumens ²	EM Lumens ¹	EM Lumens	EM Lumens ²
GLC24	1300	1820	-	-	-
GLC40	1300	1820	2500	3750	5000
GLC56	-	-	2500	3750	5000
GLC102	-	-	2500	3750	5000

¹ Minimum ² Maximum

Note: Lumen output is factory adjustable. Contact factory for specific values.

Learn more about ELC's on our website, www.signtexinc.com.

Emergency Lighting with ELC

The following Point-to-Point sample shows typical performance in the medium power range for both fixture and ELC, based on IES files and using a light loss factor (LLF) calculated as follows:

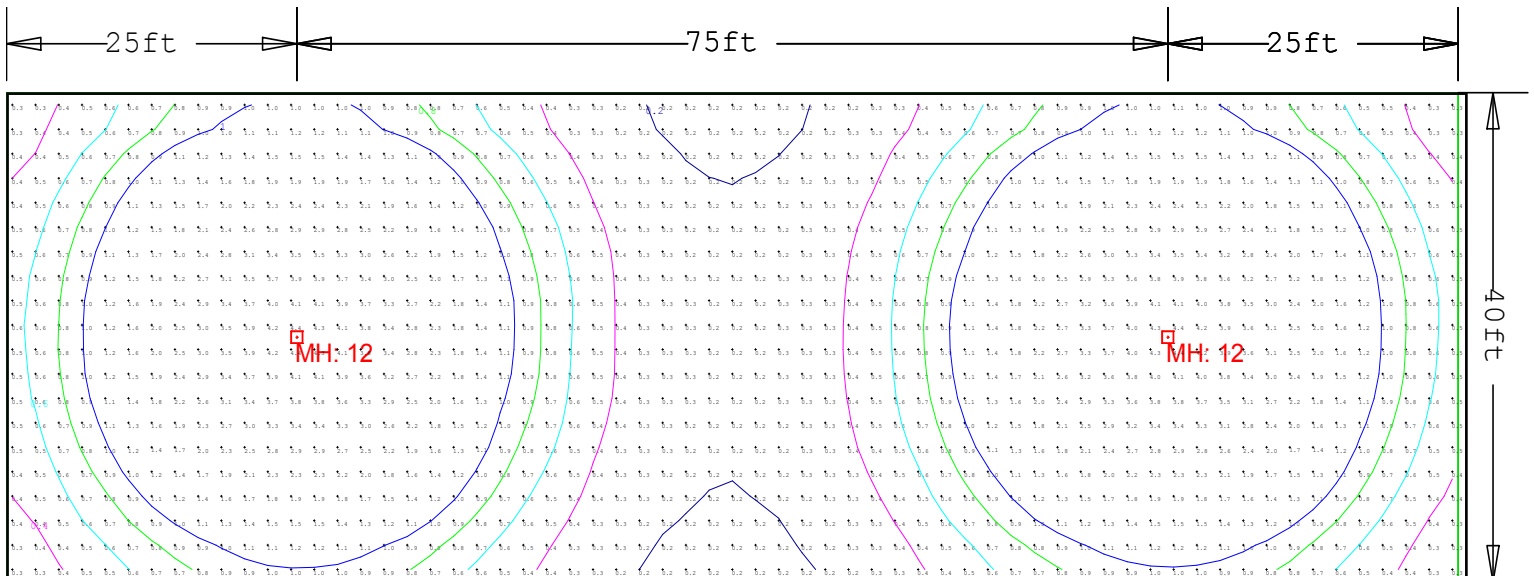
LIGHT LOSS FACTOR = ELC Emergency Power (Watts)*/ Fixture Normal Power (Watts)

LLF = $\frac{\text{ELC Emergency Power* (Watts)}}{\text{Fixture Normal Power (Watts)}}$

***Power value and ELC Type are given in the OPTION CODE above.**

Example: ELC10P1 = 10 Watts Emergency Power for 90 mins: Package Type P1

The calculation is based on illumination values given in NFPA 101 and NEC 70, which stipulate an initial minimum average of 1 Fc at floor level, a minimum of 0.1 Fc at any point, and a uniformity ratio no higher than 40:1. NOTE, values are allowed to decrease 40% after 90 minutes, but ELC is a constant power device so emergency illumination does NOT decrease.



MODEL	ELC OPTION #	ELC POWER	EMERGENCY LUMENS	LLF	MOUNT HEIGHT	AVG. LUMENS ON PATHWAY	MAX/MIN UNIFORMITY
GLC56	ELC30P4	30 Watts	3688	0.54	12 FT	1.23 Fc	22.00