

Crystal Series

Edgelit Aluminum Exit Sign Series ELX

REV #: 09.21.01

ILLUMINATION

- Ultra bright, energy efficient, long life Red or Green LEDs.
- UV-stabilized ultra-clear edgelit panel provides consistent, uniform illumination.
- Double face utilizes factory installed silver or white myla background panel.

PROJECT:

TYPE:

CATALOG #:

ELECTRICAL

AC Operation

- Universal Input 120/277VAC
- Charge rate/power "ON" LED indicator light and push-to-test switch for mandated code compliance testing.
- 4.8V long life, maintenance-free, rechargeable NiCd battery (EM models only).
- Internal solid-state transfer switch automatically connects the internal battery to LED board for minimum 90-minute emergency illumination.
- Fully automatic solid-state, two rate charger initiates battery charging to recharge a discharged battery in 24 hours.

DC Operation

- 24VDC for Central Storage Battery systems.
- 60VDC for POE or DC power distribution systems.

MOUNTING

- Aluminum mounting canopy included for top, end or back mount.

HOUSING

- Premium-grade, extruded aluminum housing (also available in optional black or white powder-coated finishes).
- Self-adhesive Chevron appliques and guide template provided for directional indication.

OPTIONS

- DG: Self-diagnostic feature performs monthly, biannual, and annual tests to ensure reliable operation and meets electrical and life safety codes.
- USA: Substantial transformation assembly in the U.S. complies with "Assembled in the USA" under the Buy American Act.
- SPV: UL Listed for 208/220/240 Volt, 50/60Hz.

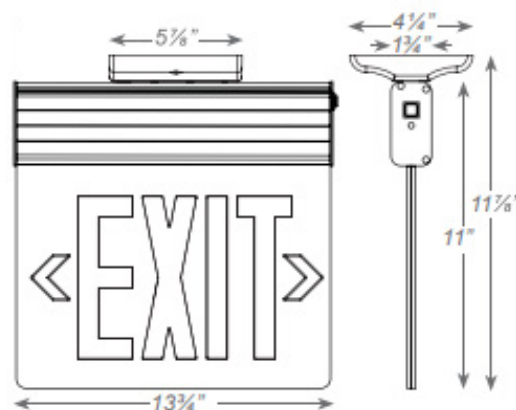
WARRANTY / LISTING

- Meets UL924, NFPA 101 Life Safety Code, NEC, OSHA, Local and State Codes.
- UL Listed for damp locations (0°C – 50°C).
- Certified to CEC under Title 20 Regulations.

STANDARD:



OPTIONAL:



FIXTURE ORDERING INFORMATION EXAMPLE: ELX-BB-1-R-W-C-2C

ELX

SERIES	OPERATION	# OF FACES	LETTER COLOR	HOUSING COLOR	PANEL	OPTIONS
ELX	BB 120/277VAC with Battery	1 Single	R Red	W White	C Clear ⁵	DG Self-Test Diagnostics ¹
	NB AC only	2 Double	G Green	B Black	M Mirror	48 48VDC input ²
	REC Central Battery			A Aluminum	W White	60 60VDC input ²
						CUSTOM Custom Wording
						USA Assembled in USA
						2C Dual Circuit Operation ³
						SPV 208/220/240 Volt, 50/60Hz ⁴

¹BB models

²REC models

³Available only with NB units

⁴Not available with DG

⁵Available with single face only

Special voltage & SALIDA face plate options available.

Contact Sigtex for more information.



INTELLIGENT EMERGENCY LIGHTING SYSTEMS