

Combo Series

Thin Thermoplastic Combo Series CTX

REV #: 08.21.01

ILLUMINATION

- Long lasting, efficient ultra bright white LED lamp heads.
- One 1.1 watt white LED per lamphead.
- Unique all-inclusive lamp, reflector and lens assembly.
- Long life ultra-bright, energy efficient Red or Green LED EXIT sign illumination.

PROJECT:

TYPE:

CATALOG #:

ELECTRICAL

AC Operation

- Universal Input 120/277VAC
- Charge rate/power "ON" LED indicator light and push-to-test switch for mandated code compliance testing.
- 3.6V long life, maintenance-free, rechargeable NiCd battery (EM models only).
- Internal solid-state transfer switch automatically connects the internal battery to LED board for minimum 90-minute emergency illumination.
- Fully automatic solid-state, two rate charger initiates battery charging to recharge a discharged battery in 24 hours.

DC Operation

- 24VDC for Central Storage Battery systems.
- 60VDC for POE or DC power distribution systems.



MOUNTING

- Mounting canopy included for top or end mount.
- Universal knockout pattern on back plate for wall mount.

HOUSING

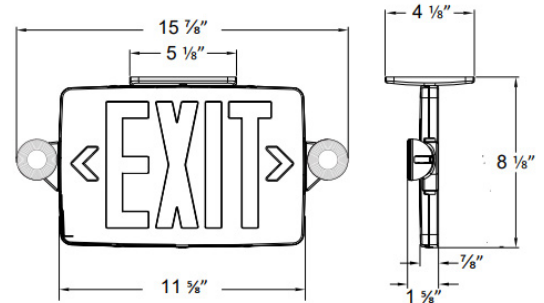
- Specification-grade, low profile thin plastic design.
- Patented, field selectable universal single/double face configuration.
- Injection-molded, engineering grade, 5VA flame retardant, high-impact resistant, thermoplastic in white or black finish.
- EZ snap-out Chevron directional indicators.
- Remote capacity of up to 2.0 watts available

OPTIONS

- HL: Provides increased center-to-center spacing (2.0W per head).

WARRANTY/LISTING

- Meets UL924, NFPA 101 Life Safety Code, NEC, OSHA,
- UL Listed for damp locations (0°C – 50°C).
- Certified to CEC under Title 20 regulations.



STANDARD:



OPTIONAL:



FIXTURE ORDERING INFORMATION EXAMPLE: CTX-U-BB-R-W

CTX

SERIES	OPERATION	# OF FACES	LETTER COLOR	HOUSING COLOR	OPTIONS
CTX	BB	120/277VAC with Battery	U Universal Single/Double Face	R Red	48 48VDC input ¹
	REC	Central Battery		G Green	60 60VDC input ¹
				W White	HL High Lumen ²
				B Black	RC Remote Capacity ²

¹REC models

²-HL and -RC cannot be ordered together



INTELLIGENT EMERGENCY LIGHTING SYSTEMS