

# Crystal Series

# Chicago Approved Edgelit Series CLX

REV #: 08.21.01

## ILLUMINATION

- Ultra-bright, energy efficient, long-lasting white LEDs provide uniform illumination.
- UV stabilized, silk screened acrylic panels provide consistent, uniform illumination.

## ELECTRICAL

### AC Operation

- Universal Input 120/277VAC
- Charge rate/power "ON" LED indicator light and push-to-test switch for mandated code compliance testing.
- 4.8V long life, maintenance-free, rechargeable NiCd battery (EM models only).
- Internal solid-state transfer switch automatically connects the internal battery to LED board for minimum 90-minute emergency illumination.
- Fully automatic solid-state, two rate charger initiates battery charging to recharge a discharged battery in 24 hours.

### DC Operation

- 24VDC for Central Storage Battery systems.
- 60VDC for POE or DC power distribution systems.

## MOUNTING

- Die-cast aluminum mounting canopy provided for universal top, end or back mount

## HOUSING

- Premium-grade, die-cast aluminum housing (also available in optional white powder-coated finishes).
- Single or double face configurations.

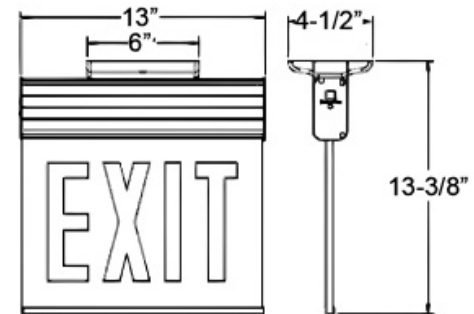
## WARRANTY/LISTING

- Meets UL924, NFPA 101 Life Safety Code, NEC, OSHA, Local and State Codes.
- UL Listed for damp locations (0°C – 50°C).
- Certified to CEC under Title 20 Regulations.
- Meets City of Chicago Requirements.

PROJECT:

TYPE:

CATALOG #:



## STANDARD:



## FIXTURE ORDERING INFORMATION EXAMPLE: CLX-2-BB-R-W-DG-NA

CLX

SERIES	OPERATION	# OF FACES	LETTER COLOR	HOUSING COLOR	OPTIONS
CLX	BB 120/277VAC with Battery	1 Single Face	R Red	W White	DG Self-Test Diagnostics <sup>1</sup>
	NB AC only	2 Double Face	on white	A Aluminum	48 48VDC input <sup>2</sup>
	REC Central Battery				60 60VDC input <sup>2</sup>

<sup>1</sup>BB models

<sup>2</sup>REC models

<sup>3</sup>Available in single face configuration only

<sup>4</sup>Available in double face configuration only

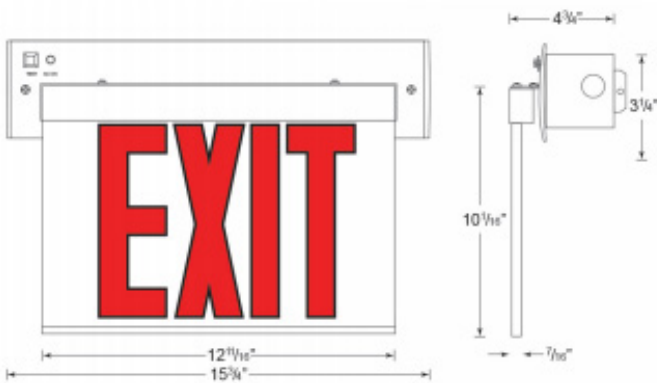
## SIGNAGE/DIRECTIONAL ARROWS

-NA	Exit No Arrow
-S-NA	Stair No Arrow
-DA	Exit Double Arrow
-S-DA	Stair Double Arrow
-RA <sup>3</sup>	Exit Right Arrow
-S-RA <sup>3</sup>	Stair Right Arrow
-LA <sup>3</sup>	Exit Left Arrow
-S-LA <sup>3</sup>	Stair Left Arrow
-LARA <sup>4</sup>	Exit Left/Right Arrow
-S-LARA <sup>4</sup>	Stair Left/Right Arrow

## ELECTRICAL INFORMATION

	Input Watts (W)		Input Amps (A)	
	120V	277V	120V	277V
AC MODEL	4.3	4.7	0.040A	0.02A
EM MODEL	4.5	4.9	0.042A	0.02A

## WALL MOUNT DIMENSIONS



## ARROW CONFIGURATION

