

Combo Series

Thin Die-Cast Aluminum Combo Series CKX

REV #: 08.21.01

ILLUMINATION

- Ultra bright, energy efficient long life Red or Green LED
- High performance premium grade, ultra bright white LED lamps.
- 3W (1 LED x 3 watts) per head.

ELECTRICAL

AC Operation

- Universal Input 120/277VAC
- Charge rate/power "ON" LED indicator light and push-to-test switch for mandated code compliance testing.
- 8.4V long life, maintenance-free, rechargeable NiCd battery (EM models only).
- Internal solid-state transfer switch automatically connects the internal battery to LED board for minimum 90-minute emergency illumination.
- Fully automatic solid-state, two rate charger initiates battery charging to recharge a discharged battery in 24 hours.

DC Operation

- 24VDC for Central Storage Battery systems.
- 60VDC for POE or DC power distribution systems.

MOUNTING

- Aluminum mounting canopy included for top or end mount.
- Universal K/O pattern on back plate for wall mount.

HOUSING

- First premium grade die-cast combo in the market. Unique new design provides spec grade EXIT sign with LED lamp heads in one low profile housing.
- Premium-grade, aluminum housing (also available in black or white powder-coated finishes).
- Field selectable knockout chevron directional indicators.
- Quick-snap face plate closure.
- Unique design allows double face conversion in the field.

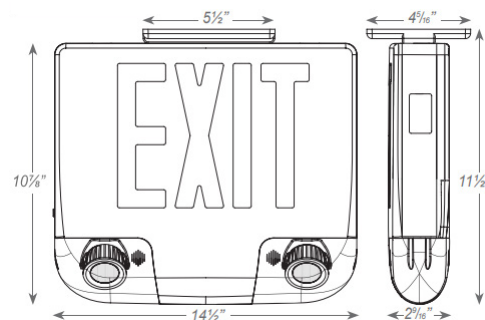
WARRANTY/LISTING

- Meets UL924, NFPA 101 Life Safety Code, NEC, OSHA, Local and State Codes.
- UL Listed for damp locations (0°C – 50°C).
- Certified to CEC under Title 20 Regulations

PROJECT:

TYPE:

CATALOG #:



STANDARD:



FIXTURE ORDERING INFORMATION EXAMPLE: CKX-BB-1-R-W-W-RC

CKX

SERIES	OPERATION	# OF FACES	LETTER COLOR	HOUSING COLOR	FACE PANEL	OPTIONS
CKX	BB 120/277VAC with Battery	1 Single Face	R Red	W White	W White	RC Remote Capacity
	REC Central Battery	2 Double Face	G Green	B Black	B Black	48 48VDC input ¹
		U Universal Single/Double Face		A Aluminum	A Aluminum	60 60VDC input ¹

ELECTRICAL INFORMATION

	INPUT WATTS (W)		INPUT AMPS (A)	
	CKX-RED/GREEN	120V	277V	120V
4.6		4.8	0.053	0.024

REMOTE LAMP COMPATIBILITY

MODEL NUMBER	BATTERY	REMOTE CAPACITY	COMPATIBLE REMOTE HEAD FAMILY												
			RHLED			RH16LED	RH16		RH		RHR		SRH		SRHLED
			3.6V	9.6V	MV		6V	12V	6V	12V	6V	12V	6V	12V	
CKXTE-RC	3.6V	3W	X		X										