

BUILDER SERIES

NSF NEMA 4X Exit Sign

Series NSF

REV #: NSF.3.21.01

OVERVIEW

Ultra-high output LEDs produce brilliant graphic illumination well above code minimums and are available in long lasting Green and Red single or double face configurations. The NSF series is designed for top or end mounting. All models are UL listed for wet locations and food service operations. Meets requirements of UL Standard 924 and NFPA 101 Life Safety Code. Designed and assembled in the USA.

SPECIAL FEATURES

- Dual 120/277 Voltage
- UL listed for Wet Locations (-20°C to 50°C)
- UL certified for use in the food service operations
- IP66 rated for Ingress protection
- Polycarbonate mounting canopy included for top and end mounted fixtures
- Self-Test Diagnostics is standard for central battery models and optional for integral battery models.
- Optional Tamper-proof hardware helps prevent unauthorized access to the unit.

PROJECT:

TYPE:

CATALOG #:



FIXTURE ORDERING INFORMATION *EXAMPLE: NSFBB1RW-DAC*

MODEL SERIES		OPERATION	# OF FACES	LETTER COLOR	TRIM FINISH	OPTIONS	
NSF	BB	Battery Backup	1 Single	R Red	W White	DAC	Dual AC Input
	NB	No Battery (AC Only)	2 Double	G Green	B Black	DG	Battery Diagnostics
	REC	Remote w/ Central Battery System				TP	Tamper Proof

NSF NEMA 4X Exit Sign

CONSTRUCTION

- Housing is reinforced polycarbonate construction in white or black finish.
- Corrosion-resistant enclosure with one-piece, high impact resistant, UV stabilized polycarbonate lens and molded gasket with stainless steel screws
- Knockout's provided for conduit feed applications
- Field selectable knockout Chevron directional indicators

ELECTRONICS

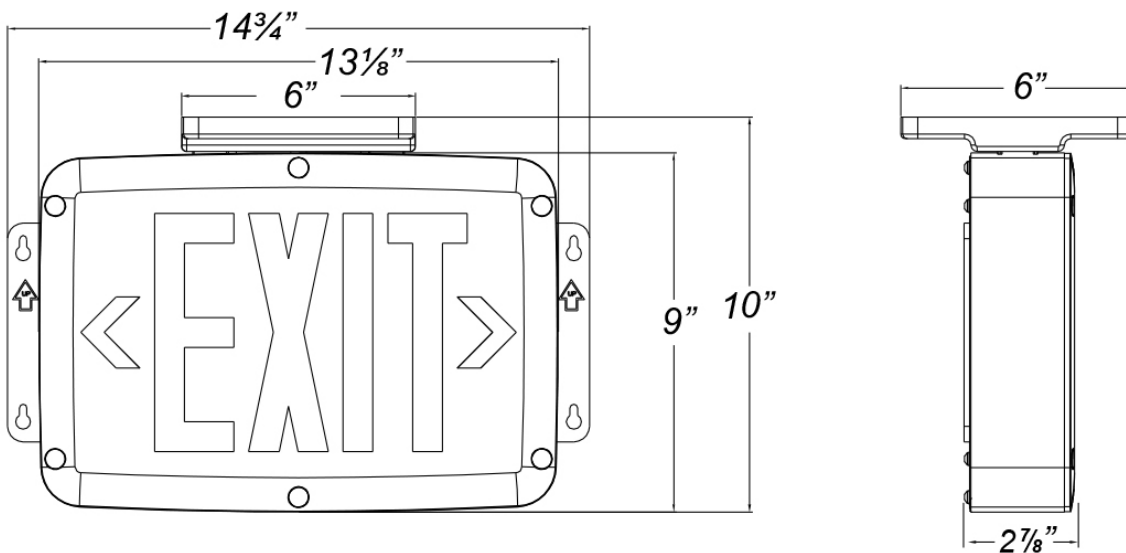
- Universal 120/277 VAC input for standard battery or Ac unit or 24 VDC input for remote configuration
- Remotes may be connected to one of the following:
 - Series CBS UNIVERSAL CENTRAL BATTERY SYSTEM
 - Series MTL MASTER-REMOTE SYSTEM
- Power supply is surge and spike protected, with a low voltage disconnect.
- Automatically performs all tests and visual indications required by UL Standard 924 and NFPA 101.
- 4.8V long-life, maintenance-free rechargeable NiCd battery (EM models only)
- Internal solid-state transfer switch automatically connects the internal battery to LED board for a minimum of 90-minutes of emergency illumination
- Fully automatic solid-state, two-rate charger initiates battery charging to recharge a discharged battery in 24 hours

CODES

- Manufactured and tested to UL Standard 924. Conforms to NFPA Life Safety Code 101, NEC, OSHA, state and local codes
- NEMA 4X4X and NSF rated
- Certified to CEC under Title 20 Regulations

WARRANTY

- 5 year total customer satisfaction warranty. For more information, please contact us.



DISTRIBUTOR

Contact Signtex for layout assistance.
Code compliant emergency lighting layouts provided!
Specifications and dimensions subject to change without notice.