



**TOP MT  
RECESSED**



**STANDARD  
WALL MT**



**"WATERFALL"  
WALL MT**



**END MT  
STANDARD**



**END MT  
FREE LENS**

**CONSTRUCTION**

- An extruded aluminum LED lamp housing is fitted within a recessed backbox fabricated from 18 SWG galvanized steel.
- Standard finishes: satin white enamel and brushed aluminum.
- Diamond polished acrylic lenses for optimum light transmission, exterior quality and high brightness.
- Ultra high output LEDs with up to 5 candela output in green or red produce brilliant graphic illumination well above code minimums.

**ELECTRONICS**

- Universal 120/ 277 VAC input for standard battery or AC unit, or 24 VDC input for remote configuration.
- Remotes may be connected to one of the following:
  - Series CBS UNIVERSAL CENTRAL BATTERY SYSTEM
  - Series MTL MASTER-REMOTE SYSTEM
- Power supply is surge and spike protected, with a low voltage disconnect.
- The complete power supply module with optional NICAD battery pack is sealed within a phenolic plastic enclosure. AC and DC wiring is quickly attached with plug connectors.

**DIAGNOSTICS OPTION**

- An advanced microprocessor monitors all charger functions and battery condition continuously, with software to automatically perform all tests and visual indications required by UL Standard 924 and NFPA 101.

**CODES**

- Manufactured and tested to UL Standard 924. Conforms to NFPA Life Safety Code 101, UBC and NEC.

**WARRANTY**

- 5 year total customer satisfaction warranty. For details see product catalog technical data section.

U.S. Patent 5, 276, 591



**FIXTURE SCHEDULE**

<b>MODEL</b>	<b>CATALOG NO</b>
<b>APPROVAL</b>	<b>JOB INFORMATION</b>



# Crystal Recessed Edge-Lit Exit Signs

# Edge-lit Exit Signs Series CRR

CRR.04.22.19

## SUGGESTED SPECIFICATIONS:

Install Sigtex CRYSTAL Series CRR recessed LED exit signs, available as unit equipment or as a remote device connected to a central battery power source. The lamp housing and canopy shall be of extruded aluminum, graphic lenses shall be optical grade acrylic with diamond polished edges. Lighting uniformity shall be better than 4:1 when measured over any illuminated area and average brightness will exceed 6 ft Lambert (21 Cd/m<sup>2</sup>). Life expectancy of the LEDs shall be in excess of 20 years. The power supply and charger shall be an isolated digital type with regulated current and voltage output to the lamp load and batteries (emergency models). AC supply shall be universal 120/277 VAC input via two-wire feed. One standard power supply shall be capable of driving up to 5 single face remote signs in addition to the master, with emergency operation at least 90 minutes for each sign. Battery charge time to restore full capacity after discharge shall be less than 24 hours.

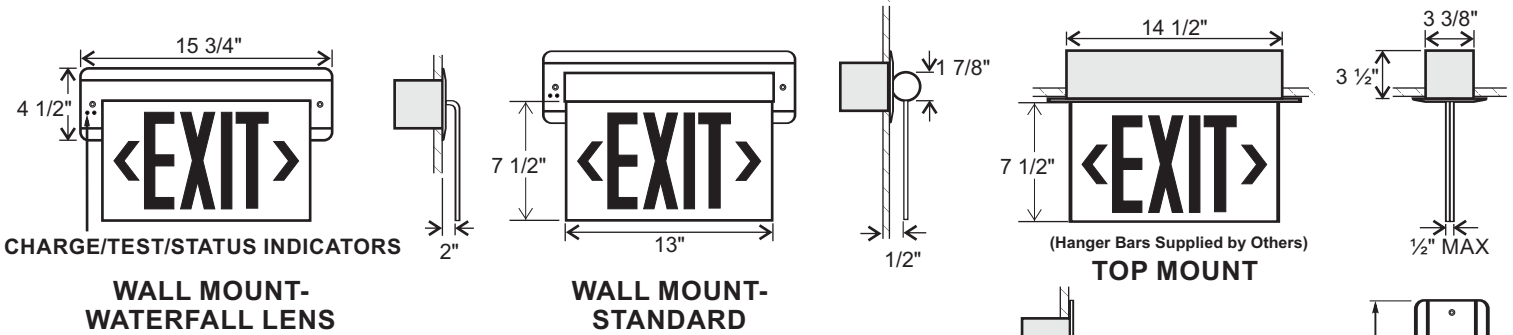
## OPTIONS:

Auto Battery Diagnostics  
Damp Location  
Dual AC Input (120 VAC)  
2 Hour Emergency Operation  
End Mount (Left/ Right)  
End Mount- Free Lens  
(Left/ Right)  
Waterfall Wall Mount-Clear  
Waterfall Wall Mount-  
with Backplate  
Mirror Background (SF)  
White Background (SF & DF)  
For other Custom Colors or  
Options Contact Factory

## CODE

DG  
DP  
DAC  
2EM  
LE/RE  
  
LEF/REF  
WFC  
  
WFB  
M  
W

## MOUNTING DATA & DIMENSIONS:



## BATTERY DIAGNOSTIC FUNCTIONS:

Microprocessor programmed to perform tests as follows:

Continuous Monitoring w/ 1 Second Sampling	Every 28 Days	Every 12 Months
Lamp Connections	Transfer switch function	Full 90 minute emergency operation test with test/ fail and manual report signal
Battery Connections	Battery discharge rate under full load	
	Test switch indicator function	

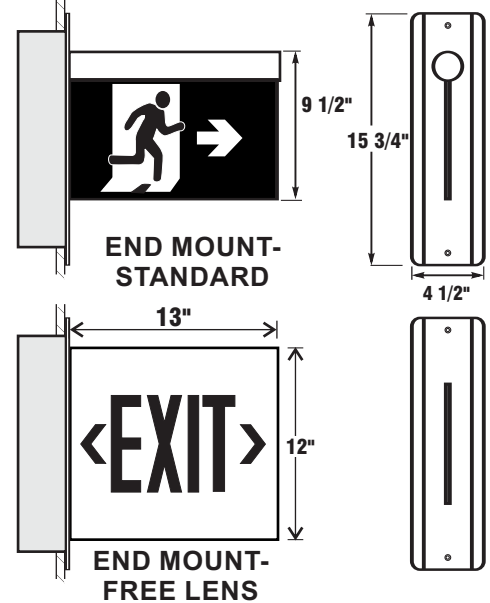
## LOAD SPECIFICATIONS FOR CENTRAL BATTERY SYSTEM

FIXTURE	EPR (Watts)
CRR1RE	2
CRR2RE	4

EPR= Emergency Power Rating for Battery Load

## SELF-TEST DIAGNOSTIC FUNCTIONS

STATUS	LED DISPLAY
NORMAL MODE	OFF
FAILED LAMP	GREEN
FAILED CHARGER	RED
FAILED TRANSFER	ORANGE
FAILED BATTERY	RED FLASH
FAILED ANNUAL TEST	ORANGE FLASH



## ORDERING INFORMATION EXAMPLE: CRRBB-1RCBA-NA-T-DG

CRR BB - 1 R C BA - NA - T - DG

MODEL SERIES	OPERATION	NO. of FACES	LETTER COLOR	BACKGRD COLOR	STANDARD TRIM FINISH	ARROW DIRECTION	MOUNT	OPTIONS
CRR	BB= Battery Backup NB= No Battery (Ac Only) REC=Remote w/ Central Battery System REM=Remote w/ Master Remote System	1= Single 2= Double	R= Red G= Green	C= Clear (SF) M=Mirror (DF)  For Other Options See Above	W= Satin White BA= Brushed Alum X= Custom	NA= No Arrow AR= Arrow Right > AL= Arrow Left < AB= Arrow Both <>  Double Face Signs: NA= No Arrow LR= Single Arrow Each Side > AB= Double Arrow Each Side <>	T= Top W= Wall	See Above



**Sigtex Inc**  
LIGHTING

220 VFW Avenue, Grasonville, MD 21638  
TEL: (410) 827-8300 Fax: (410) 827-8866  
sales@sigtexinc.com www.sigtexinc.com

## DISTRIBUTOR:

Specifications and Dimensions subject to change without notice.