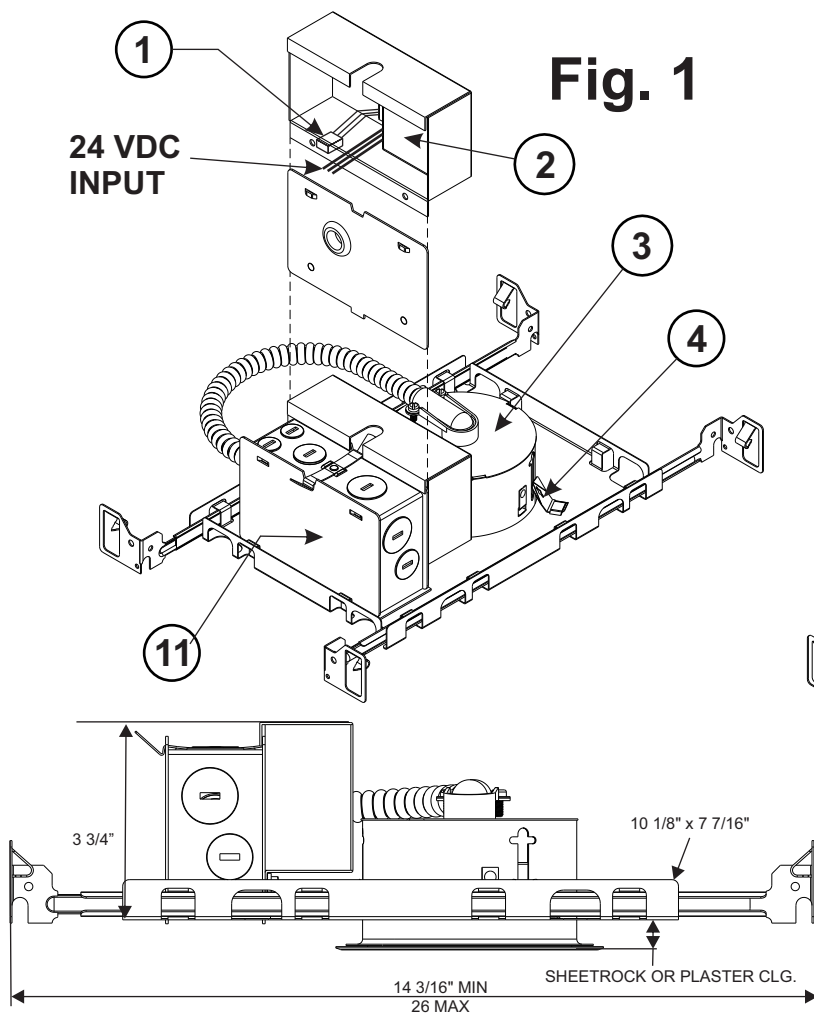
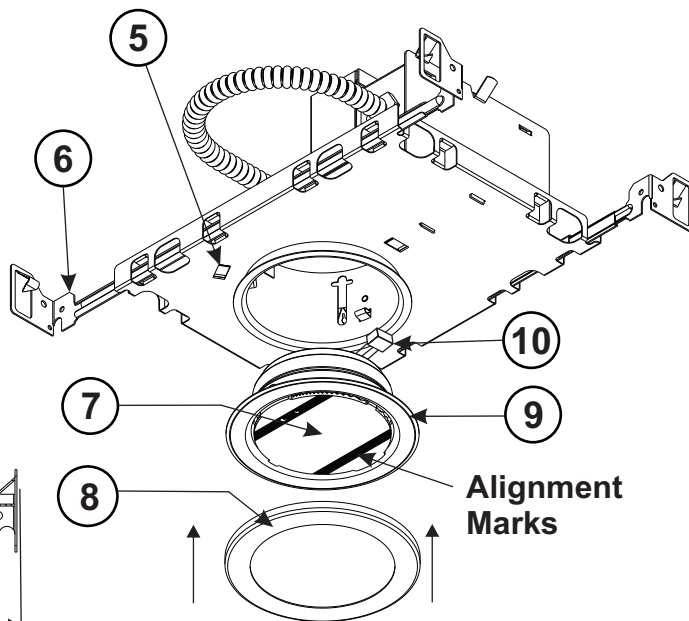


# Installation Instructions & Users Manual



ITEM	QTY	DESCRIPTION
1	1	LAMP CONNECTOR PLUG
2	1	POWER ASSBY- 2 LED/ 3 LED
3	1	HOUSING
4	3	RETAINING CLIP
5	1	PLASTER FRAME
6	2	BAR HANGERS
7	1	LENS
8	1	TRIM RING
9	1	TRIM & LED2/LED3- LAMP ASSBY
10	1	LAMP CABLE ASSBY
11	2	BOX COVER



1. Install Plaster Frame assembly into ceiling. Make lamp housing cutout in ceiling plaster or tile.
  2. See Fig.1 Insert Housing (3) and Lamp Cable Assembly (10) through cutout and locate flush with ceiling tile. Connect Lamp Cable to outlet box at location shown and connect polarized lamp plug inside outlet box.
  3. See Fig. 2. Run supply wiring to outlet box and make connections as shown, using standard wire nuts (not supplied). Close outlet box with Cover (11).
  4. Raise Trim & Lamp Assembly to Housing and connect polarized lamp plug.
  5. See note below. Route lamp wiring up into Housing and insert Lamp Assembly flush to ceiling panel. Snap Trim Ring (8) in place.
- NOTE: LAMP ASSEMBLY MUST BE CORRECTLY ALIGNED. WHEN INSERTING INTO HOUSING, ROTATE LAMP ASSEMBLY SO THAT ALIGNMENT MARKS IN LENS ARE IN LINE WITH THE PATH OF EGRESS.**
6. Apply power and check lamp operation.

**NOTE: REMOVE CONNECTOR NUT PULL CAN DOWN TO STOP PULL & ROTATE TO REMOVE**

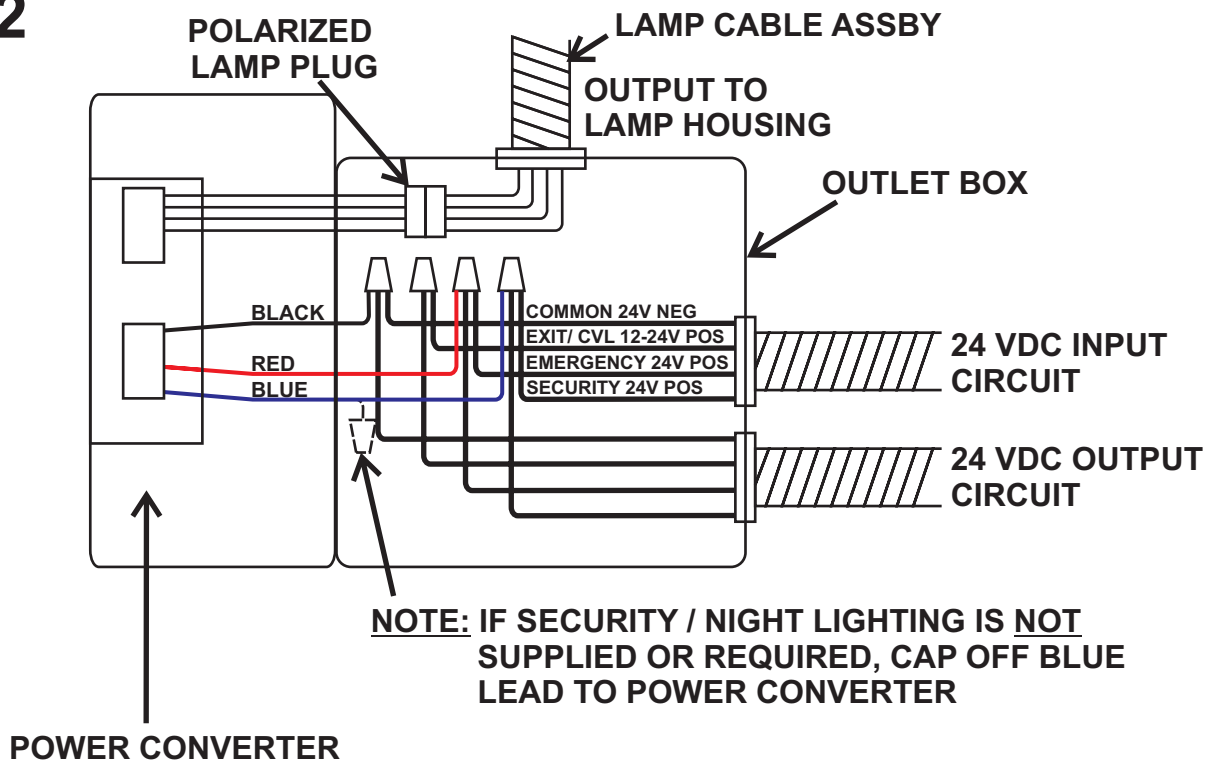
## IMPORTANT SAFEGUARDS READ AND FOLLOW ALL SAFETY INSTRUCTIONS

1. Disconnect AC power before servicing.
2. Refer to wiring diagram for proper connections.
3. All servicing should be performed by qualified personnel.
4. Consult your local building code for approved wiring and installation.
5. Do not use outdoors.
6. Do not use this equipment for other than intended use.
7. Do not let power cords touch hot surfaces.
8. Mount and secure the fixture at a location and height to avoid ready access and tampering by unauthorized persons.
9. The use of accessory equipment is not recommended by the manufacturer and may cause an unsafe condition.

**SAVE THESE INSTRUCTIONS**

## SUPPLY CIRCUIT WIRING

Fig. 2



### KEY

**BLACK:** COMMON: -12/24 VDC NEG -  
**RED:** EMERGENCY: + 24VDC  
**BLUE:** NIGHT/ SECURITY LIGHTING: + 24 VDC  
**YELLOW:** EXITS/ CVL: +12/24 VDC