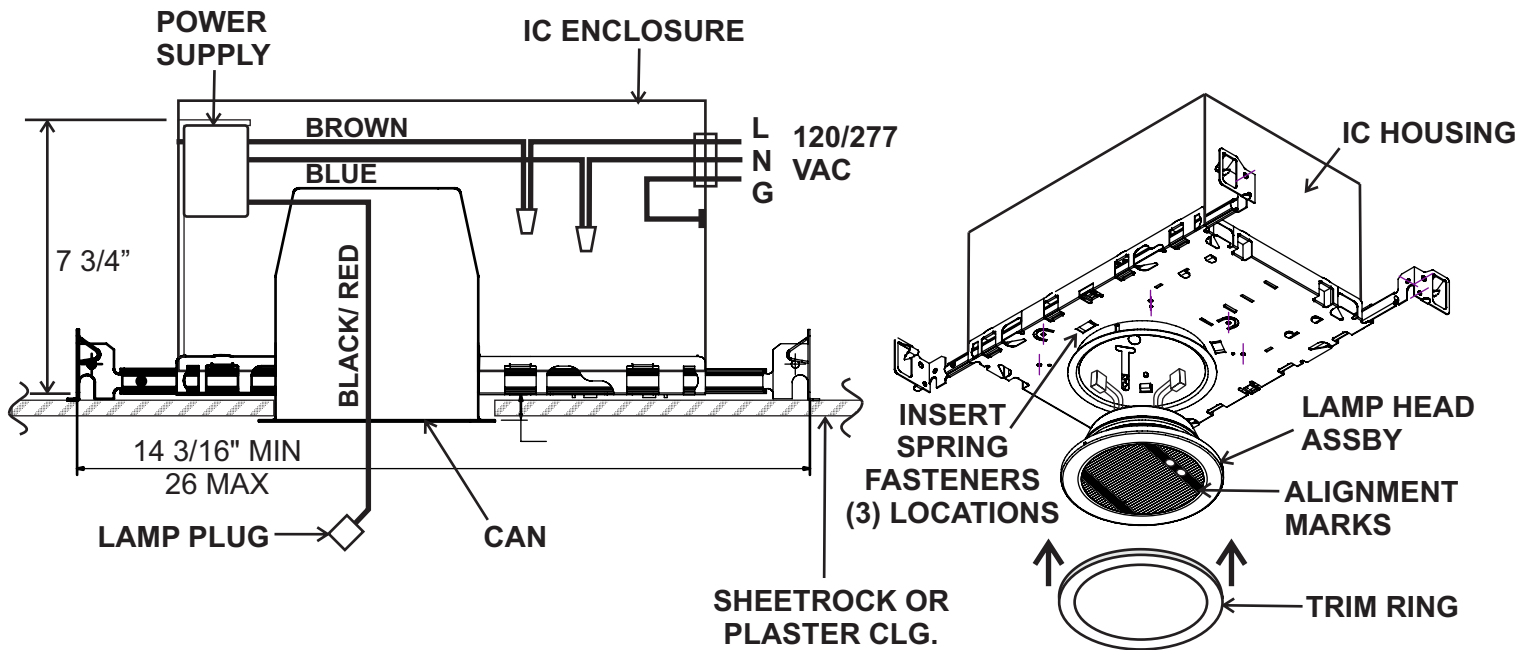


Installation Instructions & Users Manual

Fig 1



1. Make 4" diameter lamp cutout in ceiling tile. Insert (2) Bar Hangers into housing frame and mount housing assembly in position over lamp cutout.

2. Route AC service into enclosure box through lamp cutout, and connect to power supply wiring and ground wire with standard wire nuts:

POWER SUPPLY INPUT 120/ 277 VAC

BROWN: LINE

BLUE: NEUTRAL

3. Route 6-Pin Lamp plug from power supply through top access hole in can, turn can to locate three spring fasteners and push into position until flange is flush with ceiling panel.

4. Connect polarized Lamp to Lamp Head assembly and push lamp head into spring clamps until flush with ceiling. Snap Trim Ring in place

IMPORTANT SAFEGUARDS READ AND FOLLOW ALL SAFETY INSTRUCTIONS

1. Disconnect AC power before servicing.
2. Refer to wiring diagram for proper connections.
3. All servicing should be performed by qualified personnel.
4. Consult your local building code for approved wiring and installation.
5. Do not use outdoors.
6. Do not use this equipment for other than intended use.
7. Do not let power cords touch hot surfaces.
8. Mount and secure the fixture at a location and height to avoid ready access and tampering by unauthorized persons.
9. The use of accessory equipment is not recommended by the manufacturer and may cause an unsafe condition.

SAVE THESE INSTRUCTIONS