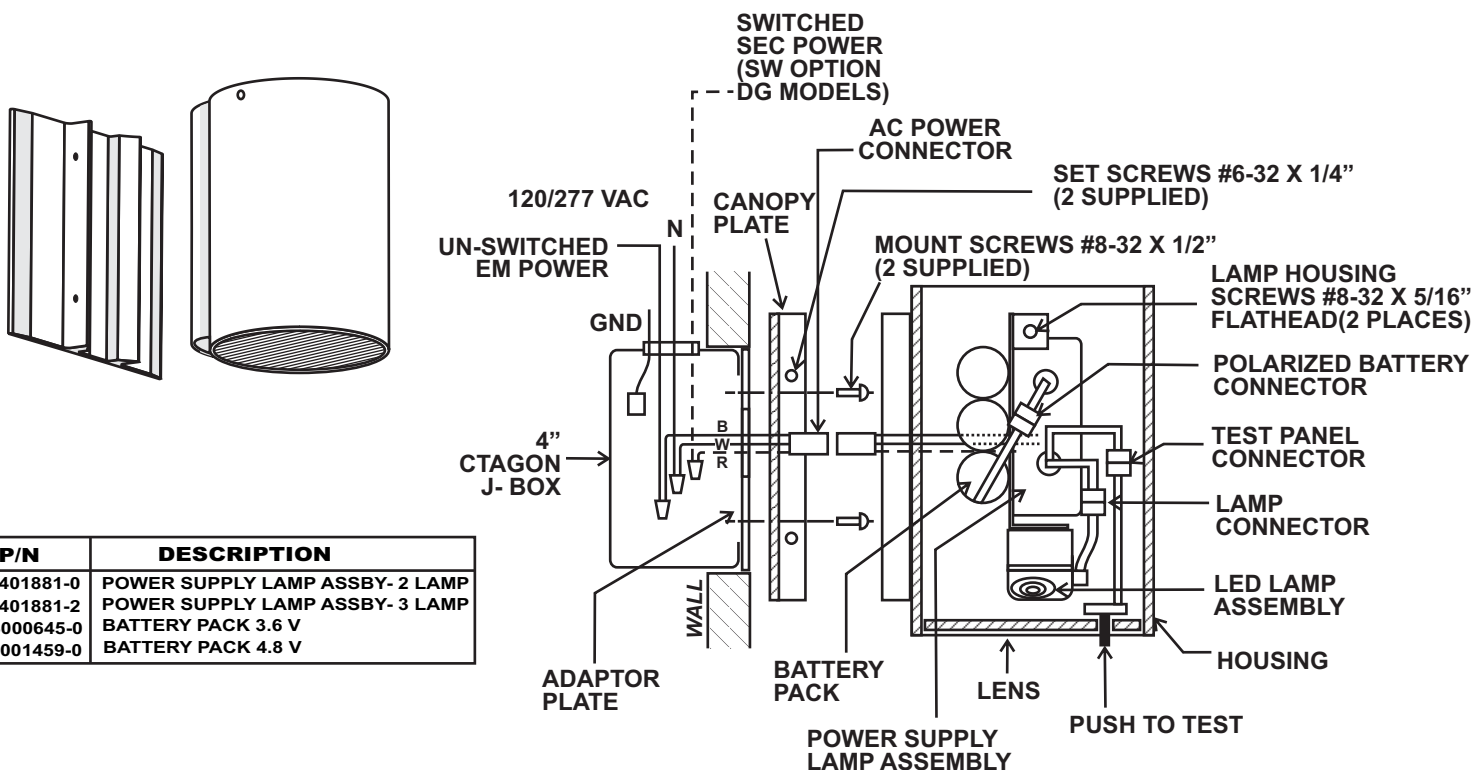


# INSTALLATION INSTRUCTIONS AND OWNER'S MANUAL



P/N	DESCRIPTION
3401881-0	POWER SUPPLY LAMP ASSBY- 2 LAMP
3401881-2	POWER SUPPLY LAMP ASSBY- 3 LAMP
3000645-0	BATTERY PACK 3.6 V
3001459-0	BATTERY PACK 4.8 V

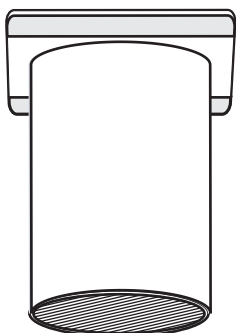
## WALL MOUNT

1. Install 4 x 4 J-box as shown. Route AC Line, Neutral and Ground into box. Secure supplied Adaptor Plate to J-Box with (2) #8-32 screws and connect supplied lamp wiring pigtail to AC wiring with standard wire nuts.
2. Separate Canopy Plate from Housing by loosening (2) #6-32 set screws. Secure Canopy Plate to Adaptor Plate and route pigtail plug through center hole.
3. To connect the battery, remove (2) #8-32 Flat Head screws in lamp housing and slide the housing down to expose the battery plug and connect the plug. **NOTE: lamps will turn on until AC power is supplied.** Slide housing back into position and replace the (2) screws.
4. Connect plug on AC pigtail to matching plug on fixture (lamps will turn OFF is AC power is supplied). Push plug into j-box cavity, locate the fixture on the Canopy Plate, and tighten (2) #6-32 screws to secure in position.
5. Supply AC power to check lamp operation, the CHARGE indicator should show GREEN and lamps will illuminate when PUSH TO TEST switch is pressed. Allow 12 -24 hrs for full battery charge

### IMPORTANT SAFEGUARDS READ AND FOLLOW ALL SAFETY INSTRUCTIONS

1. Disconnect AC power before servicing.
2. Refer to wiring diagram for proper connections.
3. All servicing should be performed by qualified personnel.
4. Consult your local building code for approved wiring and installation.
5. Do not use outdoors.
6. Do not use this equipment for other than intended use.
7. Do not let power cords touch hot surfaces.
8. Mount and secure the fixture at a location and height to avoid ready access and tampering by unauthorized persons.
9. The use of accessory equipment is not recommended by the manufacturer and may cause an unsafe condition.

**SAVE THESE INSTRUCTIONS**



**TOP MOUNT TO CANOPY OR  
DIRECT TO OUTLET BOX**

Fixture is supplied with housing attached to mount plate and battery is disconnected. To separate, loosen two #8-32 flat head screws at top of housing, and slide power supply assembly out of housing. Connect the 2-pin battery plug before reassembly.

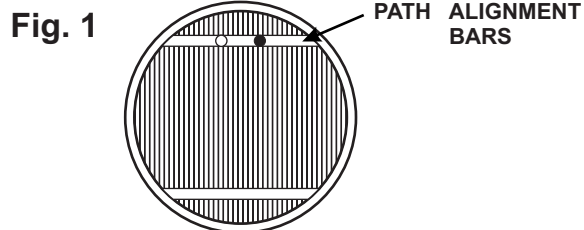
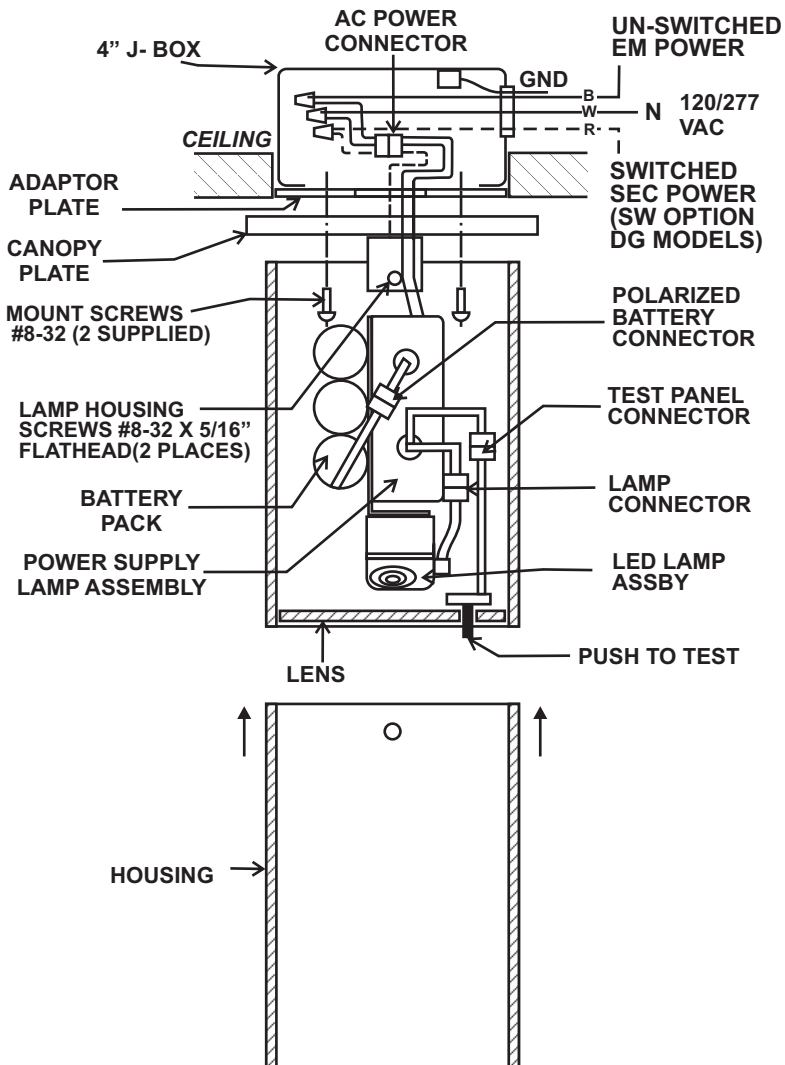
1. Follow steps 1-4 for WALL MOUNT.

NOTE: For mount direct to a j-box, the Mount (Canopy) Plate is not supplied, and the j-box adaptor plate is fitted with a bracket to attach to housing directly.

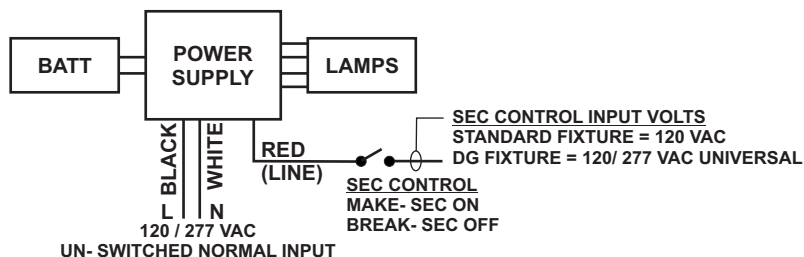
2. Line up and secure the two #8-32 flat-head lamp housing screws.

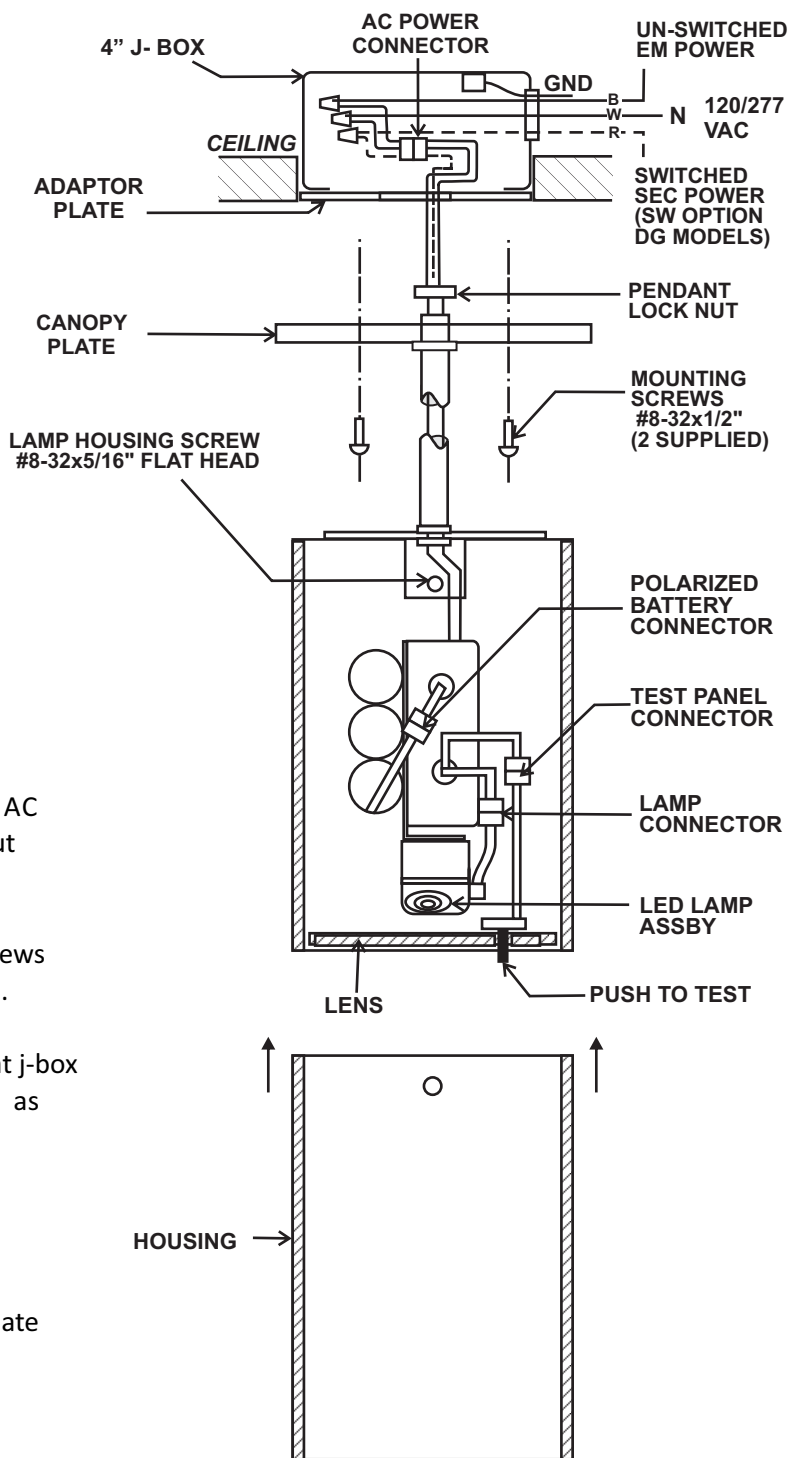
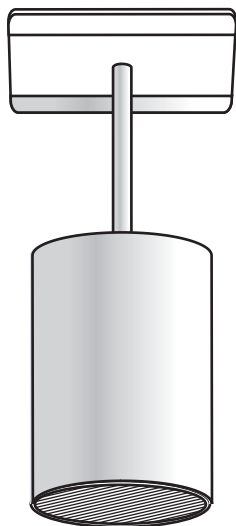
NOTE: LAMP ASSEMBLY SHOULD BE CORRECTLY ORIENTED WITH RESPECT TO PATH OF EGRESS. SEE FIG. 1. ALIGNMENT MARKS ON LENS SHOULD BE IN LINE WITH PATH.

3. Follow step 6 for WALL MOUNT.



**SECURITY LIGHTING SWITCH CONTROL OPTION**





## PENDANT MOUNT

1. Unit comes with Pendant assembled. Route input AC wiring through Canopy Plate and lock nut. Tighten nut firmly to attach canopy plate to pendant.
2. Assemble Adaptor Plate to j-box with (2) #8-32 screws and route AC line wiring through center hole in plate.
3. Raise fixture and pendant assembly into position at j-box and connect AC input wiring with standard wire nuts as shown:
  - BLACK: 120/277VAC
  - WHITE: NEUTRAL
  - GREEN: GROUND
4. Push wire nuts in j-box cavity and attach canopy plate with (2) #8-32 color matched screws supplied.
5. Supply AC power and check lamp operation.

**Fig. 1**

