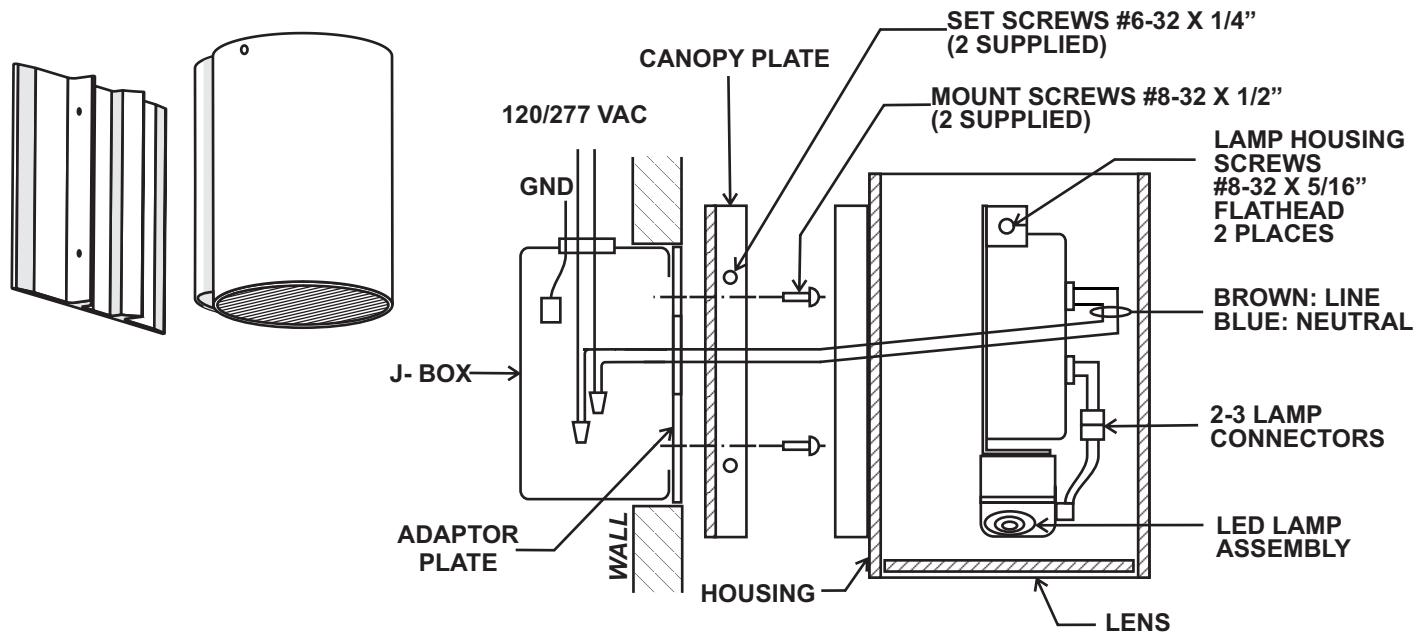


INSTALLATION INSTRUCTIONS AND OWNER'S MANUAL



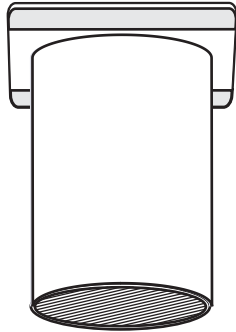
WALL MOUNT

1. Install standard J-Box.
2. Connect the AC input wires from fixture to 120/277 VAC supply with standard wire nuts:
BROWN: LINE
BLUE: NEUTRAL
GREEN: GROUND
Route ground wire around one of the base mount screws.
3. Secure Canopy Plate to adaptor plate
4. Locate housing in position on canopy plate and tighten two #6-32 set screw(1/16 Allen Wrench) to lock in place and route AC wires through center hole.
5. Apply AC power and check lamp operation.

IMPORTANT SAFEGUARDS READ AND FOLLOW ALL SAFETY INSTRUCTIONS

1. Disconnect AC power before servicing.
2. Refer to wiring diagram for proper connections.
3. All servicing should be performed by qualified personnel.
4. Consult your local building code for approved wiring and installation.
5. Do not use outdoors.
6. Do not use this equipment for other than intended use.
7. Do not let power cords touch hot surfaces.
8. Mount and secure the fixture at a location and height to avoid ready access and tampering by unauthorized persons.
9. The use of accessory equipment is not recommended by the manufacturer and may cause an unsafe condition.

SAVE THESE INSTRUCTIONS



TOP MOUNT TO CANOPY OR DIRECT TO OUTLET BOX

Fixture is supplied with housing attached to mount plate. To separate, loosen two #8-32 flat head screws at top of housing, and slide power supply assembly out of housing.

1. Follow steps 1-2 for WALL MOUNT.

NOTE: For mount direct to a j-box, the Mount (Canopy) Plate is not supplied, and the j-box adaptor plate is fitted with a bracket to attach to housing directly.

2. Slide the housing over the power supply assembly.

3. Line up and secure the two #8-32 flat-head lamp housing screws.

NOTE: LAMP ASSEMBLY SHOULD BE CORRECTLY ORIENTED WITH RESPECT TO PATH OF EGRESS. SEE FIG. 1. ALIGNMENT MARKS ON LENS SHOULD BE IN LINE WITH PATH.

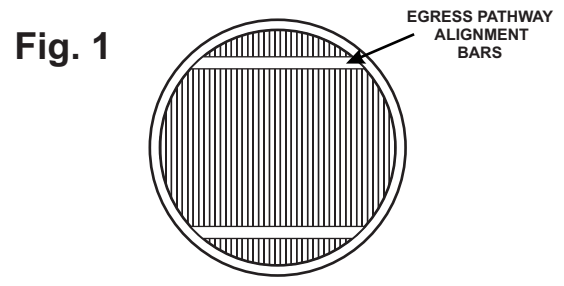
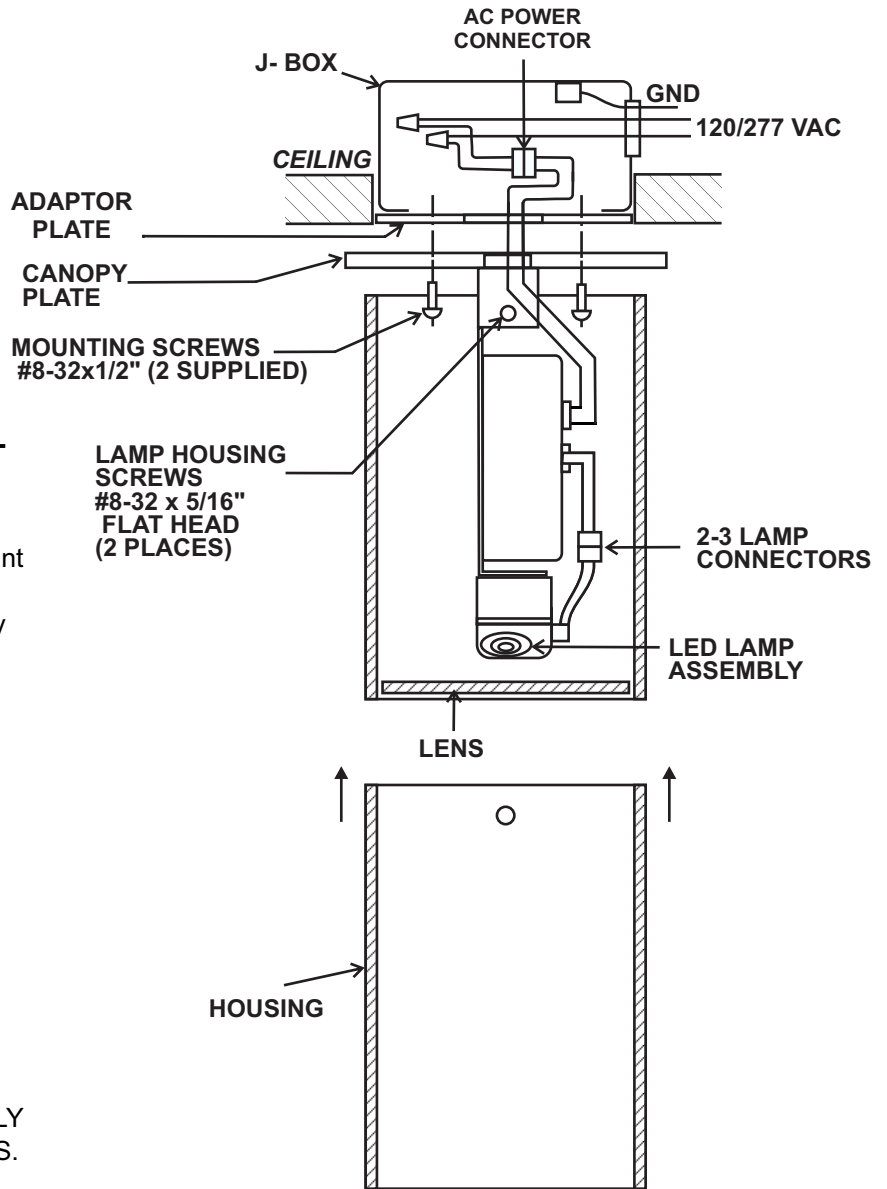
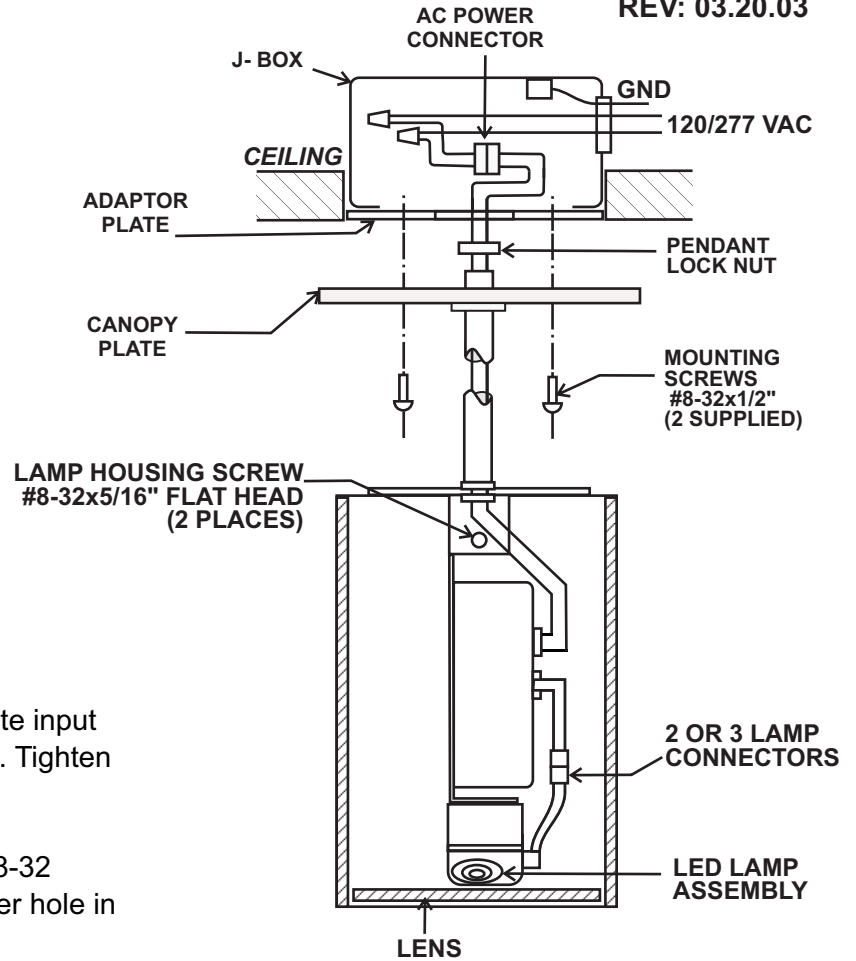
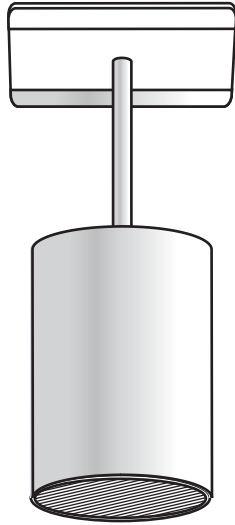


Fig. 1



PENDANT MOUNT

1. Unit comes with Pendant assembled. Route input AC wiring through Canopy Plate and lock nut. Tighten nut firmly to attach canopy plate to pendant.
2. Assemble Adaptor Plate to j-box with (2) #8-32 screws and route AC line wiring through center hole in plate.
3. Raise fixture and pendant assembly into position at j-box and connect AC input wiring with standard wire nuts as shown:
 BLACK: 120/277VAC
 WHITE: NEUTRAL
 GREEN: GROUND
4. Push wire nuts in j-box cavity and attach canopy plate with (2) #8-32 color matched screws supplied.
5. Supply AC power and check lamp operation.

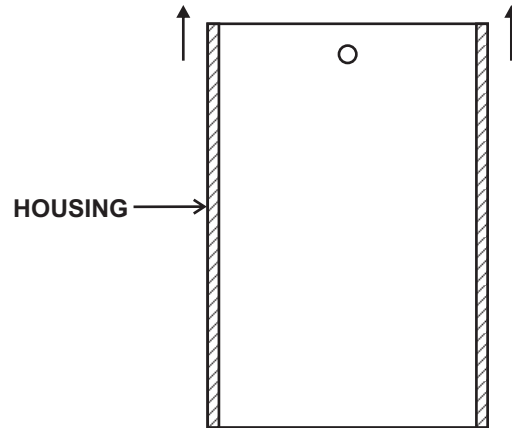


Fig. 1

