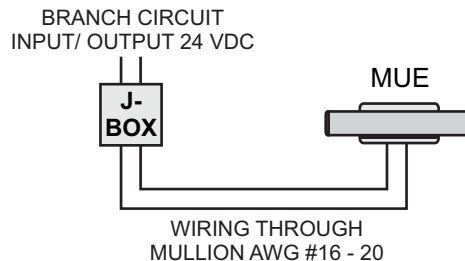
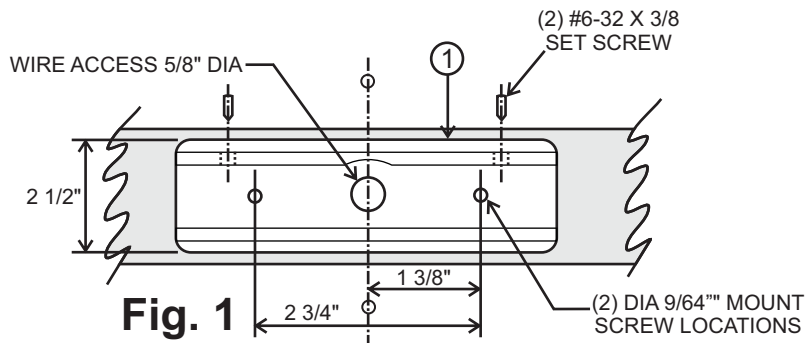
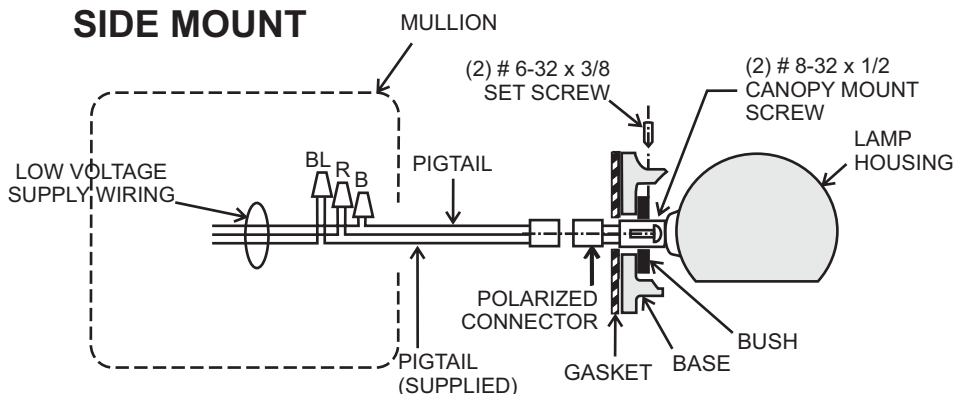


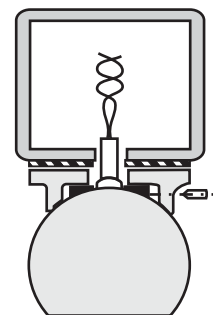
INSTALLATION INSTRUCTIONS AND OWNER'S MANUAL



SIDE MOUNT



TOP MOUNT (OPTION)



KEY

- B- BLACK: COMMON: 12/24 VDC NEG -
- R- RED: EMERGENCY: 24VDC POS +
- BL- BLUE: SECURITY/ NIGHT LIGHTING: 24 VDC POS +

SUITABLE FOR WET LOCATIONS

- AMBIENT TEMPERATURE LIMITS:
 Standard "BB" models: -20° C to +40° C
 Remote models: -40° C to +50° C

Fixture Assembly

1. See Fig 1. Drill 5/8" dia wire access hole and (2) 9/64" dia (or suitable tapping size) mount screw holes in the mullion beam at center of selected fixture location.
2. Loosen (2) #6-32 set screws, release lamp housing from base.
3. Attach base to mullion with (2) #8 screws (not supplied). Tighten evenly on gasket.
4. Route low voltage supply wiring through mullion and attach lamp plug pigtail (supplied) to supply wiring with wire nuts.

MAINTAIN COLOR CODES AT CONNECTOR: RED+ Positive, BLACK- Negative.

5. Attach polarized lamp plug on pigtail, insert wiring and lamp plug into mullion.
6. Secure lamp housing on the base with (2) set screws.
7. Turn power ON at the RPS or central battery system, press the PUSH TO TEST button to check operation. Full battery charge requires 24 hrs.

IMPORTANT SAFEGUARDS READ AND FOLLOW ALL SAFETY INSTRUCTIONS

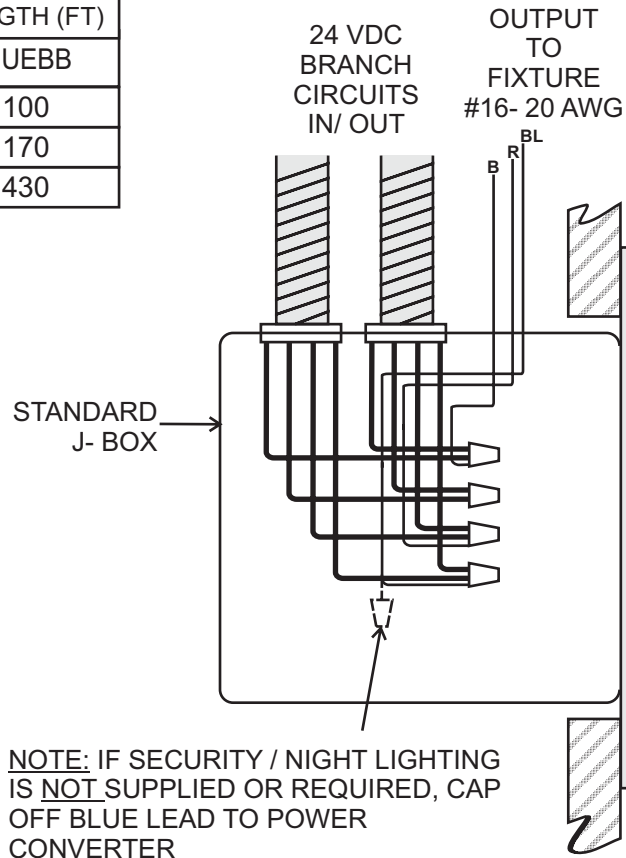
- | | |
|---|---|
| <ol style="list-style-type: none"> 1. Disconnect AC power before servicing. 2. Refer to wiring diagram for proper connections. 3. All servicing should be performed by qualified personnel. 4. Consult your local building code for approved wiring and installation. 5. Do not use this equipment for other than intended use. 6. Do not let power cords touch hot surfaces. | <ol style="list-style-type: none"> 7. Mount and secure the fixture at a location and height to avoid ready access and tampering by unauthorized persons. 8. The use of accessory equipment is not recommended by the manufacturer and may cause an unsafe condition. 9. Suitable for wet locations. See product label for temperature limitations. |
|---|---|

SAVE THESE INSTRUCTIONS

SUPPLY CIRCUIT WIRING

TABLE 1
MAXIMUM WIRING LENGTH
FROM RPS TO FIXTURE

WIRING SIZE AWG	LENGTH (FT)
	MUEBB
#20	100
#18	170
#16	430



KEY

B BLACK: COMMON: 12/24 VDC NEG -
Y YELLOW: EXITS/CVRE: 12/24 VDC POS +
R RED: EMERGENCY: 24VDC POS +
BL BLUE: SECURITY/ NIGHT LIGHTING: 24 VDC POS +

