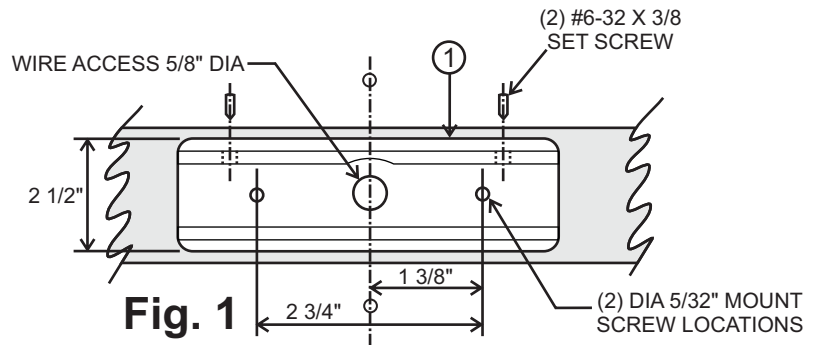
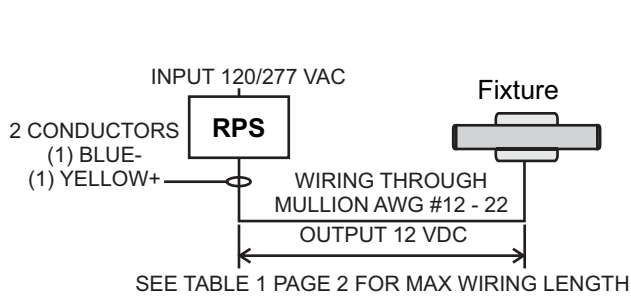
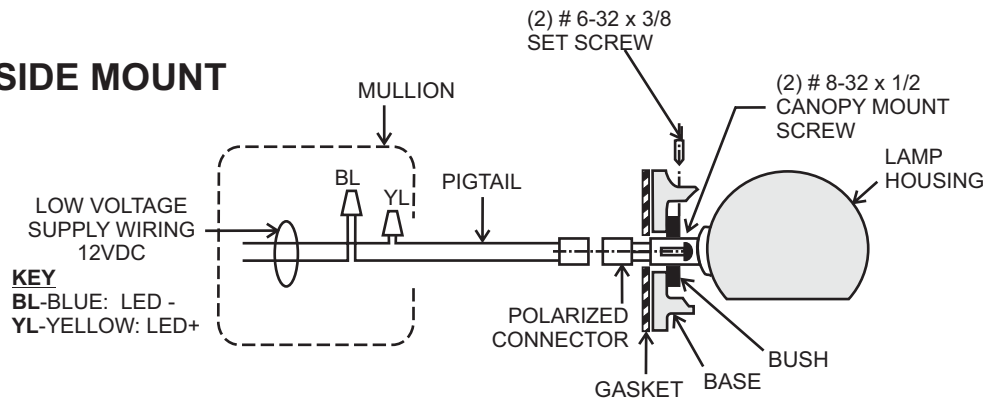
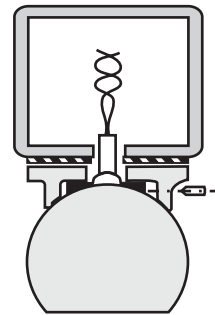


**INSTALLATION INSTRUCTIONS AND OWNER'S MANUAL**

REV 01.21.01

**SIDE MOUNT****TOP MOUNT  
(OPTION)****SUITABLE FOR WET LOCATIONS**

AMBIENT TEMPERATURE LIMITS:  
Standard "BB" models: -20° C to +40° C  
Remote models: -40° C to +50° C

**Fixture Assembly**

1. See Fig 1. Drill 5/8" dia wire access hole and (2) 9/64" dia (or suitable tapping size) mount screw holes in the mullion beam at center of selected fixture location.
2. Loosen (2) #6-32 set screws, release lamp housing from base.
3. Attach base to mullion with (2) #8 screws (not supplied). Tighten evenly on gasket.
4. Route low voltage supply wiring through mullion and attach lamp plug pigtail (supplied) to supply wiring with wire nuts.

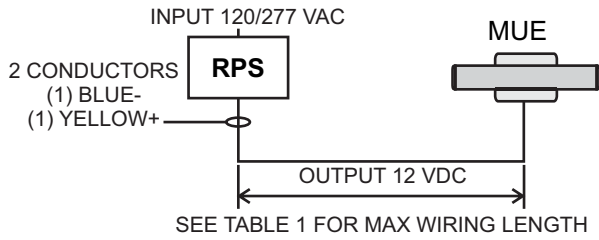
**MAINTAIN COLOR CODES AT CONNECTOR: YELLOW +Positive, BLUE- Negative.**

5. Attach polarized lamp plug on pigtail, insert wiring and lamp plug into mullion.
6. Secure lamp housing on the base with (2) set screws. Turn AC power ON with battery connected at the RPS (Remote Power Supply) box, press the PUSH TO TEST button to check operation. Full battery charge requires 24 hrs.

**IMPORTANT SAFEGUARDS READ AND FOLLOW ALL SAFETY INSTRUCTIONS**

1. Disconnect AC power before servicing.
2. Refer to wiring diagram for proper connections.
3. All servicing should be performed by qualified personnel.
4. Consult your local building code for approved wiring and installation.
5. Do not use this equipment for other than intended use.
6. Do not let power cords touch hot surfaces.
7. Mount and secure the fixture at a location and height to avoid ready access and tampering by unauthorized persons.
8. The use of accessory equipment is not recommended by the manufacturer and may cause an unsafe condition.
9. Suitable for wet locations. See product label for temperature limitations.

**SAVE THESE INSTRUCTIONS**



**TABLE 1**  
MAXIMUM WIRING LENGTH  
FROM RPS TO FIXTURE

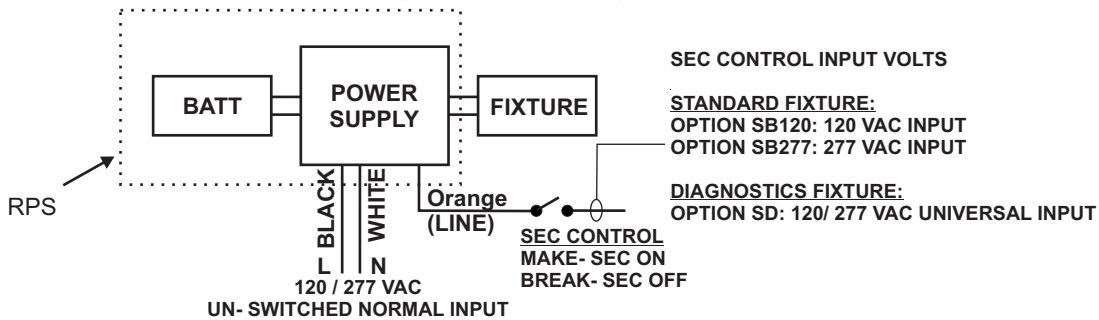
WIRING SIZE AWG	LENGTH (FT)
	MUEBB20
#22	25
#20	40
#18	60
#16	100
#14	160
#12	250

**Remote Power Supply (RPS)**

1. See Fig. 1. Place power supply assembly inside housing and note available knock-outs for wiring clearance. Remove suitable K.O's in areas with clearance for wiring and connectors. Use framing or brackets to install RPS housing as shown, in a location convenient for access to battery and power supply. Align top edge flange flush with finished panel surface. See Table 1 to estimate wire size required based on maximum wiring length for low voltage output wiring from RPS to the fixture.

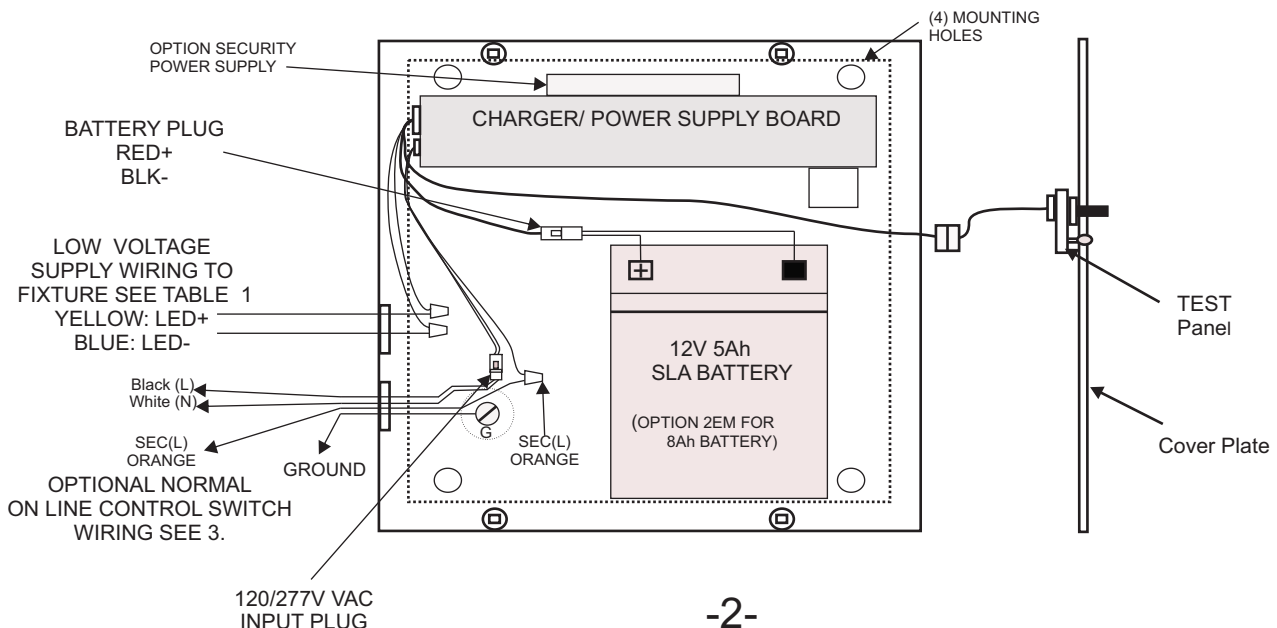
2. **INPUT WIRING:** Connect BLACK/WHITE AC input wiring to building supply with wire nuts, and connect GROUND to Housing with Screw mount.

3. **SECURITY LIGHTING SWITCH CONTROL (OPTION -SB or SD)**



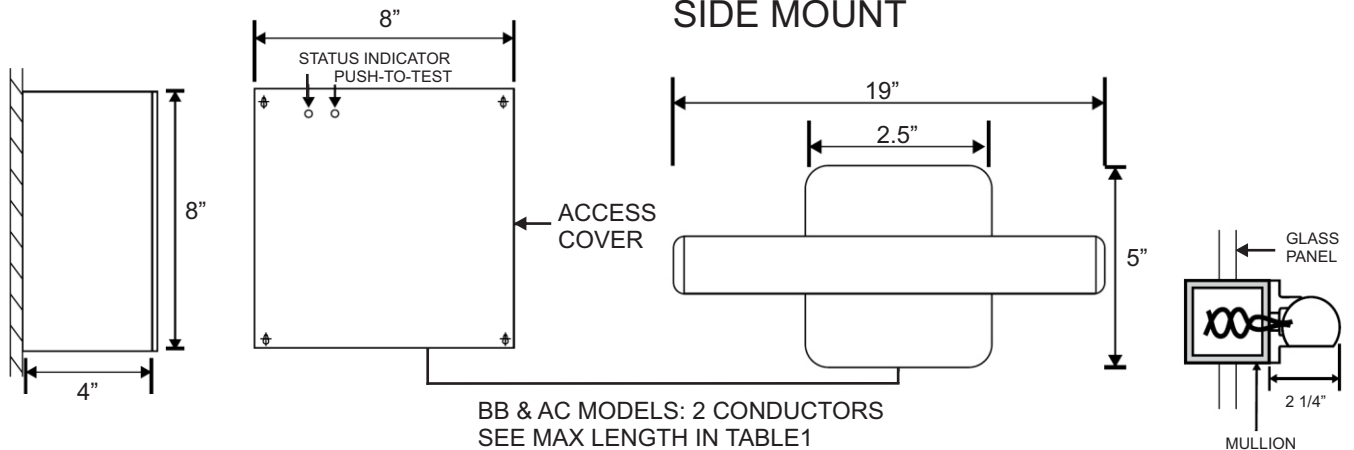
4. **OUTPUT LOW VOLTAGE WIRING\*:** See Table 1 for minimum wire size based on distance to fixture. Example using #20 AWG, max distance is 40 ft. Route conductors from the RPS to the fixture location.

5. **Connect the BATTERY plug:** NOTE If AC power is OFF, the fixture will turn ON under battery power. To minimize battery discharge, turn AC power ON after fixture is connected, or disconnect battery.

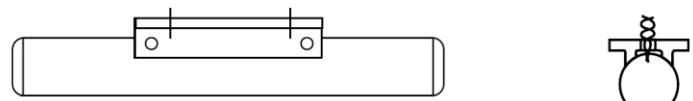
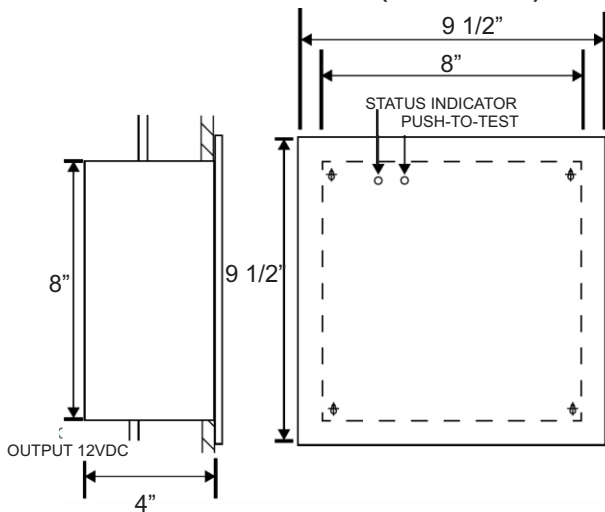


MOUNTING DATA:

SURFACE MOUNT



RECESS MOUNT(OPTION)



TOP MOUNT

TABLE 1

WIRING SIZE AWG	LENGTH (FT)
	MAEBB20
#22	25
#20	40
#18	60
#16	100
#14	160
#12	250

Self-test Diagnostic Functions  
(BB models)

STATUS	LED DISPLAY
Normal Full Charge	● GREEN ON
Normal Fast Charge	● ORANGE ON
Failed Battery	●● RED FLASH FAST
Failed Lamp	●● GREEN FLASH
Failed Transfer	●● ORANGE FLASH
Failed Charger	●● RED FLASH SLOW

**Signtex Inc**  
LIGHTING  
220 VFW Avenue, Grasonville, MD 21638  
TEL: (410) 827-8300 Fax: (410) 827-8866  
sales@signtexinc.com www.signtexinc.com

# NOTES