

Mullion Mount Outdoor Emergency Egress Lighting

Series MUE
REV #: MUE.9.20.16

PROJECT: _____

TYPE: _____

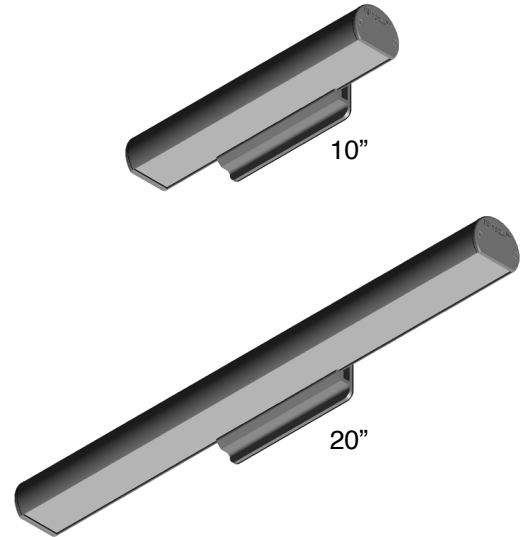
CATALOG #: _____

OVERVIEW

Linear LED outdoor egress emergency lighting, fixture with night lighting option. Designed to mount directly on mullion frames used in typical glass panel entrance structures, with vertical mounting surface as small as 2". High efficiency LEDs and full 90° cut-off provide uniform emergency and night lighting on the extended egress pathway. All models are outdoor rated, UL wet location, ADA compliant, and exceed requirements of UL Standard 924 and NFPA 101. Designed and manufactured in the USA.

SPECIAL FEATURES

- Very low profile extruded aluminum housing and mount bracket blend seamlessly with structural metal frames
- Custom satin finishes for extended outdoor use are available to match any surface
- IP66 housing seals against heavy water spray and fine dust
- Universal side or top mount
- Wide lighting distribution designed for entrance walkways
- 10W or 20W emergency power models
- Optional normal-on switch allows timed control of night lighting
- Self-Test Diagnostics is standard for central battery models and optional for integral battery n
- Certified IP66 housing withstands multi direction water spray and fine dust ingress
- American manufactured major components comply with ARRA (American Recovery and Reinvestment Act) requirements and Buy American provisions.
- Wall mount version available (see Series MAE)
- Standard CRI 5000K, with optional color corrections filters for 2900K, 3200K and 3800K.



FIXTURE ORDERING INFORMATION EXAMPLE: MUEBB10AW-DG

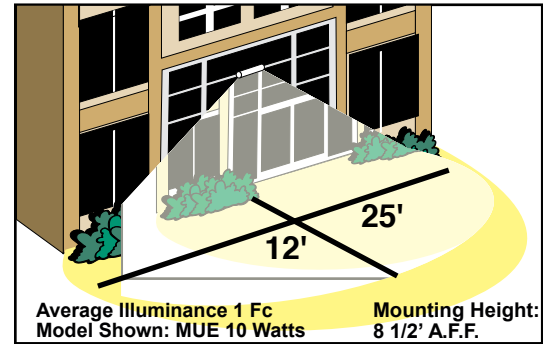
MUE

MODEL SERIES	OPERATION		POWER		HOUSING COLOR		MOUNT		OPTIONS	
MUE	RE	Central Battery	10	10 Watts emergency and normal on power	W	Satin White	T	Top	DG	Self-test diagnostics (BB models only)
	BB	Battery backup (includes RPS)		20	20 Watts emergency and normal on power	A		Aluminum	W	Wall
	AC	No battery (includes RPS)				B	Dark Bronze			SD277
					X	Custom			SD	Night lighting with control switch for BB operation (120/277V)
									CW1	Color temp. - 3800K
									CW2	Color temp. - 3200K
									CW3	Color temp. - 2900K
									DAC	Dual AC input
									2HT	2" canopy height
									5HT	5" canopy height

Mullion Mount Outdoor Emergency Egress Lighting

CONSTRUCTION

- Extruded aluminum housing 2" diameter gasketed mullion mount back plate 2 1/2" x 5" that includes a waterproof compression seal for easy wiring installation.
- Available in Brushed Aluminum, satin White, Bronze, Black, or any custom color on request.
- Wet location listed UL924 and certified IP66
- Gasketed, molded end caps
- Stainless steel hardware
- Sealed acrylic lens
- Available models include:
 RE: For use with Sigtex central battery systems
 BB: Battery backup with remote power supply with remote power supply
 AC: 120/277 VAC input



NOTE: FOR REFERENCE ONLY. STANDARD REFLECTANCES 80/50/20. SIGTEX IS NOT RESPONSIBLE FOR SPECIFIC CONDITIONS THAT MAY ALTER THE RESULTS.

LIGHTING

- Output lumens (5000K): 10W = 500lm 20W = 1,000lm
- Lamps connected in parallel allow continuous lighting after failure of one lamp, meeting NEC and NFPA requirements.
- Standard output color 5000K. Optional outputs available 2990K, 3200K and 3800K.
- Dual function available for emergency or normally -on operation.
- Standard Operating Temperature
 RE & BB: -40C to 50C (-40F to 120F)
 AC: -20C to 40C (-4F to 104F)

NIGHT LIGHTING CONTROL

- RE MODELS: Requires SEC option 'S' with central battery
- BB MODELS: Requires option '-SB120' for connection to 120 VAC
 Requires option '-SD277' for connection to 277 VAC
- BB-DG MODELS: Requires option '-SD' for connection to 120/277 VAC



ELECTRONICS

- Self-Test/Self-Diagnostic operation is standard in battery backup versions of the Remote Power Supply.
- Line latch circuit prevents unwanted emergency activation at installation.
- Low Voltage Disconnect prevents deep battery discharge

CODES

- Manufactured and tested to UL Standard 924, NFPA Life Safety Code 101, and certified to IP66.

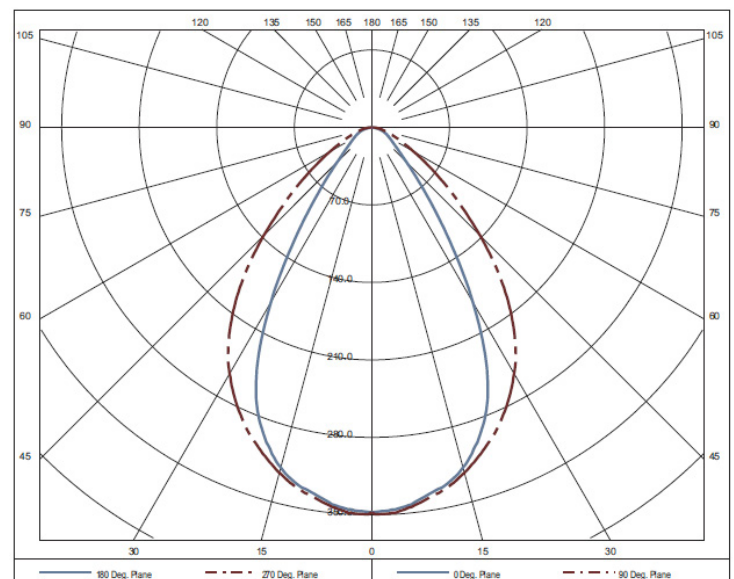
WARRANTY

- 5 year total customer satisfaction warranty. For details see Sigtex product catalog technical data section.

Self-test Diagnostic Functions (BB models)

STATUS	LED DISPLAY
Normal Full Charge	● GREEN ON
Normal Fast Charge	● ORANGE ON
Failed Battery	● ● RED FLASH FAST
Failed Lamp	● ● GREEN FLASH
Failed Transfer	● ● ORANGE FLASH
Failed Charger	● ● RED FLASH SLOW

Candela Curve: 10W Models



Mullion Mount Outdoor Emergency Egress Lighting

SUGGESTED SPECIFICATIONS

Fixtures: Supply and install the MOONLITE LED® Series MUE Mullion Mount emergency lighting fixture manufactured by Sigtex Lighting Inc. The fixture shall be listed for installation in wet locations in compliance with UL 924 and IP66 standards and shall be capable of operating either from Utility power at 120/277VAC, Sigtex remote power supply Series RPS or a Sigtex central battery (CB) system. Upon loss of AC building power, emergency models shall operate for a minimum of 90 minutes in compliance with UL Standard 924 and NFPA LSC 101.

RPS: Supply and install the remote power supply Series RPS manufactured by Sigtex Lighting Inc. The RPS will be capable of operating any exit sign or MOONLITE LED® emergency fixture manufactured by Sigtex Lighting Inc., and shall be available with either a SLA or NIMH battery with charger having universal 120/277 VAC input, to supply emergency lighting power for a minimum of 90 minutes in compliance with UL Standard 924 and NFPA LSC 101, or as a power supply without battery.

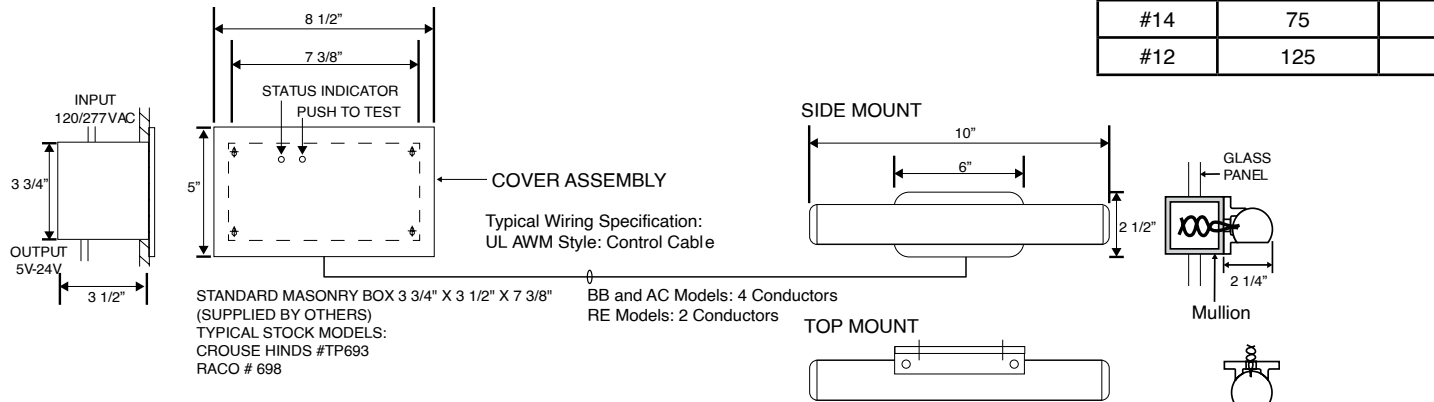
Max. wiring length from RPS to fixture

Wiring Size AWG	LENGTH (FT)	
	MUEBB10	MUEBB20
#18	25	60
#16	50	100
#14	75	160
#12	125	250

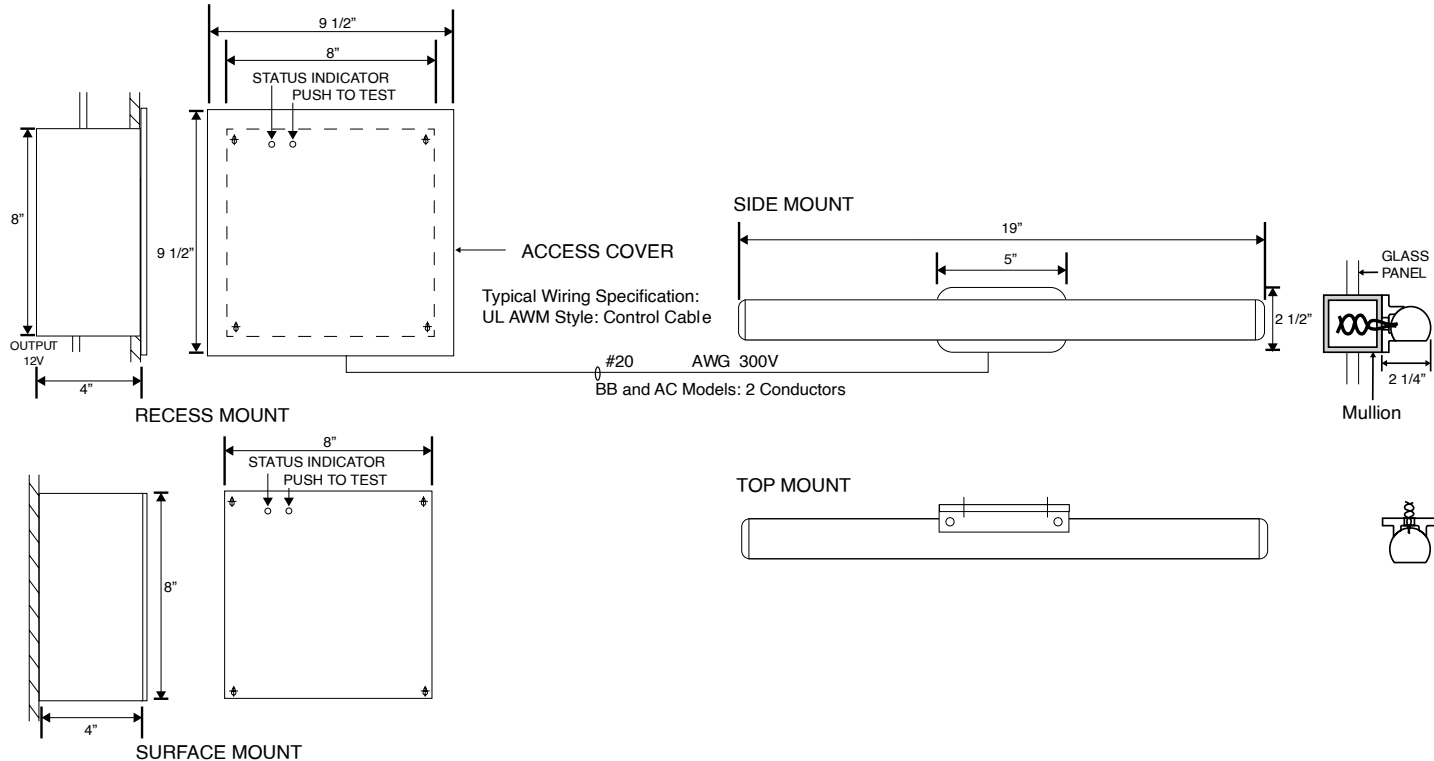
MOUNTING DATA

10 Watt AC & BB Models

REMOTE POWER SUPPLY (RPS)



20 Watt AC & BB Models



DISTRIBUTOR

Contact Sigtex for layout assistance.
Code compliant emergency lighting layouts provided!
Specifications and dimensions subject to change without notice.