

## Mullion Mount Outdoor Emergency Egress Lighting

**Series MUE**  
REV #: MUE.11.20.17

PROJECT: \_\_\_\_\_

TYPE: \_\_\_\_\_

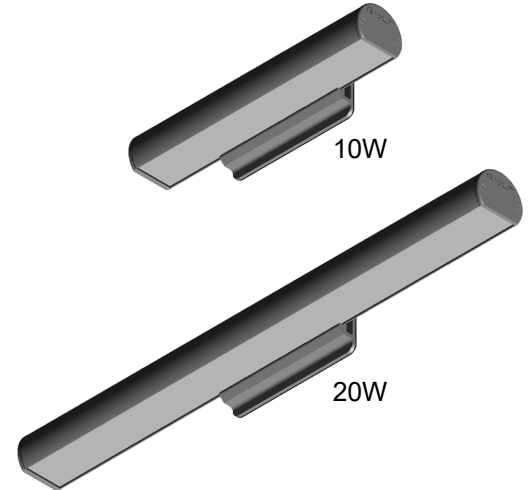
CATALOG #: \_\_\_\_\_

### OVERVIEW

Linear LED outdoor egress with both emergency lighting and night lighting function. The MUE series is designed to mount directly on mullion frames used in typical glass panel entrance structures, with vertical mounting surface as small as 2". High efficiency LEDs and full 90° cut-off provide uniform emergency and night lighting on the extended egress pathway. All models are outdoor rated, UL wet location, ADA compliant, and exceed requirements of UL Standard 924 and NFPA 101. Designed and manufactured in the USA, complies with ARRA (American Recovery and Reinvestment Act) and Buy American requirements.

### SPECIAL FEATURES

- Very low profile extruded aluminum housing and mount bracket blend seamlessly with structural metal frames
- Remote power supply for 10W and 20W BB and AC model single fixtures, or Central Battery System power for RE model multiple fixtures.
- Option for 20 watt models to operate for 2 hours in emergency mode
- Options for mount bracket height, from 2" to 5"
- Standard finishes include Brushed Aluminum, Satin White, Bronze or Black. Custom colors available on request
- Custom satin finishes for extended outdoor use are available to match any surface
- IP66 housing seals against heavy water spray and fine dust
- Universal side or top mount
- Wide lighting distribution designed for entrance walkways
- 10W or 20W emergency power models
- Optional normal-on switch allows timed control of night lighting
- Self-Test Diagnostics is standard for central battery models and optional for integral battery models.
- Certified IP66 housing withstands multi direction water spray and fine dust ingress
- Wall mount version available (see Series MAE)
- Standard CRI 5000K, with optional color corrections filters for 2900K, 3200K and 3800K.
- Code compliant emergency lighting layouts provided



### FIXTURE ORDERING INFORMATION EXAMPLE: MUEBB10AW-DG

MODEL SERIES		OPERATION	POWER	HOUSING COLOR	MOUNT	OPTIONS
<b>MUE</b>	<b>RE</b>	Central Battery	<b>10</b> 10 Watts emergency and normal on power	<b>W</b> Satin White	<b>T</b> Top	<b>DG</b> Self-test diagnostics (BB models only)
	<b>BB</b>	Battery backup (includes RPS)	<b>20</b> 20 Watts emergency and normal on power	<b>A</b> Aluminum	<b>W</b> Wall	<b>SD</b> Night Lighting Control Switch for models with DG option (120/277VAC)
	<b>AC</b>	No battery (includes RPS)		<b>B</b> Dark Bronze		<b>SB120</b> Night Lighting Control Switch for standard BB models (120VAC)
				<b>X</b> Custom		<b>SB277</b> Night Lighting Control Switch for standard BB models (277VAC)
						<b>REC</b> 20W RPS panel recessed mount
						<b>2EM</b> 2 hrs emergency operation for BB models
						<b>CW1</b> Color temp. - 3800K
						<b>CW2</b> Color temp. - 3200K
						<b>CW3</b> Color temp. - 2900K
						<b>DAC</b> Dual AC input
						<b>2HT</b> 2" Mount Bracket height
						<b>5HT</b> 5" Mount Bracket height

### Mullion Mount Outdoor Emergency Egress Lighting

#### CONSTRUCTION

- Extruded aluminum lamp housing 2" diameter, with gasketed mount bracket only 2 1/2"Ht that includes a waterproof compression seal for universal wall or top mount.
- Available models include:
  - RE: Multiple fixtures powered from a Central Battery System
  - BB and AC: Single fixtures powered from a Remote Power Supply
  - AC: 120/277 VAC input, with or without battery
- Wet location listed, UL924 and certified IP66
- Gasketed, molded end caps and Sealed acrylic lens
- Stainless steel hardware

#### LIGHTING

- Lamps connected in parallel allow continuous lighting after failure of one lamp, meeting NEC and NFPA requirements.
- Standard output color 5000K. Optional outputs available 2900K, 3200K and 3800K.
- Dual function available for emergency or normally -on operation.
- Standard Operating Temperature
  - RE: -40C to 50C (-40F to 120F)
  - BB: -20C to 40C (-4F to 104F)
  - AC: -20C to 40C (-4F to 104F)

#### ELECTRONICS

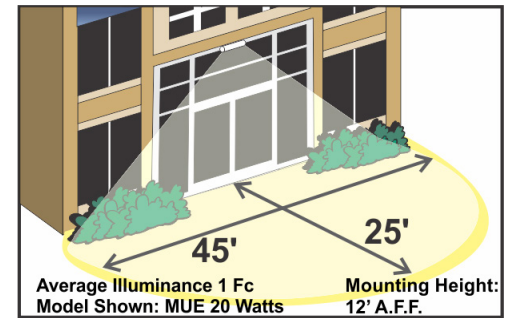
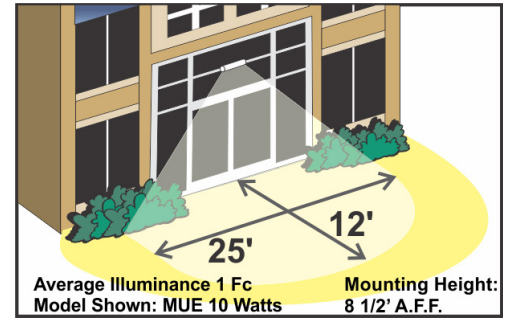
- Self-Test/Self-Diagnostic operation is standard for all RE models, and optional for BB models with the Remote Power Supply.
- Line latch circuit prevents unwanted emergency activation at installation.
- Low Voltage Disconnect prevents deep battery discharge

#### CODES

- Manufactured and tested to UL Standard 924, NFPA Life Safety Code 101, and certified to IP66.

#### WARRANTY

- 10 year total customer satisfaction warranty. For details see Signtex product catalog technical data section.



**NOTE:** FOR REFERENCE ONLY. STANDARD REFLECTANCES 80/50/20. SIGNTEX IS NOT RESPONSIBLE FOR SPECIFIC CONDITIONS THAT MAY ALTER THE RESULTS.



#### Self-test Diagnostic Functions (BB models)

STATUS	LED DISPLAY
Normal Full Charge	● GREEN ON
Normal Fast Charge	● ORANGE ON
Failed Battery	● ● RED FLASH FAST
Failed Lamp	● ● GREEN FLASH
Failed Transfer	● ● ORANGE FLASH
Failed Charger	● ● RED FLASH SLOW

### Mullion Mount Outdoor Emergency Egress Lighting

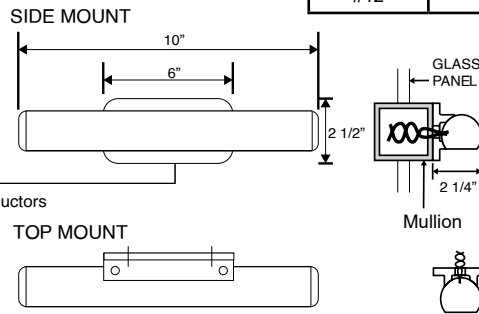
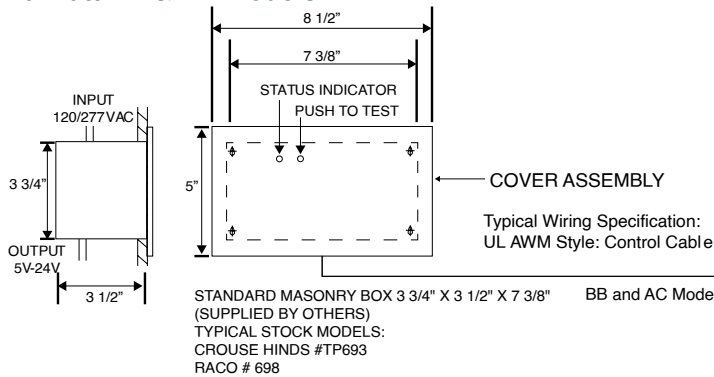
#### SUGGESTED SPECIFICATIONS

**Fixtures:** Supply and install the MOONLITE LED Series MUE Mullion Mount or Series MAE Wall Mount emergency lighting fixture manufactured by Sigtex Lighting Inc. The fixture shall be listed for installation in wet locations in compliance with UL 924 and IP66 standards and shall be capable of operating either from Utility power at 120/277VAC, Sigtex remote power supply Series RPS, any Sigtex central battery (CB) system, or from other remote power sources supplying 12-24 VDC or VAC. Upon loss of AC building power, emergency models shall operate for a minimum of 90 minutes in compliance with UL Standard 924 and NFPA LSC 101.

**RPS:** Supply and install the remote power supply Series RPS manufactured by Sigtex Lighting Inc. The RPS will be capable of operating any exit sign or MOONLITE LED® emergency fixture manufactured by Sigtex Lighting Inc., and shall be available with either a SLA or NIMH battery with charger having universal 120/277 VAC input, to supply emergency lighting power for a minimum of 90 minutes in compliance with UL Standard 924 and NFPA LSC 101, or as a power supply without battery. The RPS shall also be capable of operating LED fixtures manufactured by Sigtex in normally-on or continuous mode, from 120/277VAC power input.

#### MOUNTING DATA

#### Remote Power Supply (RPS) 10 Watt AC & BB Models



Max. wiring length from RPS to fixture

Wiring Size AWG	LENGTH (FT)	LENGTH (FT)
	MUEBB10	MUEBB20
#22	NA	20
#20	12	40
#18	25	60
#16	50	100
#14	75	160
#12	125	250

#### Remote Power Supply (RPS) 20 Watt AC & BB Models

