

INSTALLATION INSTRUCTIONS AND OWNER'S MANUAL

1. STANDARD SURFACE MOUNT

1. See Fig 1. Identify mounting position on ceiling in accordance with fixture layout specifications, and install (2) screw anchors, minimum size #10, at 8" between centers.
2. Insert small flat blade screwdriver or similar tool under notch at either end of cover, twist gently to release snap and lift cover. Unscrew (2) #8 lamp assembly screws, lift lamp assembly from Housing and disconnect lamp plug.
3. Mount housing to ceiling with (2) mount screws. Route Input wiring from RPS(Remote Power Supply) Box into Housing.
4. Connect wiring with standard wire nuts to the supplied wiring pigtail, as shown.
5. Reconnect lamp plug and reinstall lamp assembly with (2) #8 screws, and replace cover. Supply 12VDC power from RPS battery to check lamp operation.

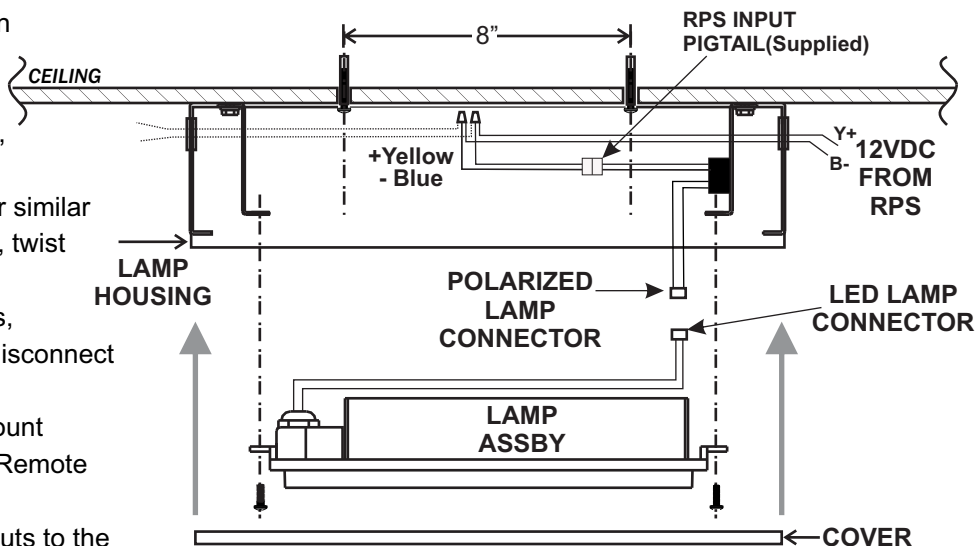


Fig.1

2. SURFACE MOUNT WITH END BRACKETS

1. See Fig 2. Install (2) screw anchors at 15 1/2" centers.
2. Insert flat blade screwdriver under notch at end of cover, twist gently to release cover plate. Unscrew (2) #8 lamp assembly screws, lift lamp assembly from Housing and disconnect lamp plug.
3. Attach end brackets with (4) #8 screws and nuts as shown, mount housing assembly to ceiling and route 12VDC INPUT wiring from RPS Box into housing.
4. Proceed as for STANDARD SURFACE MOUNT steps 4 - 5.

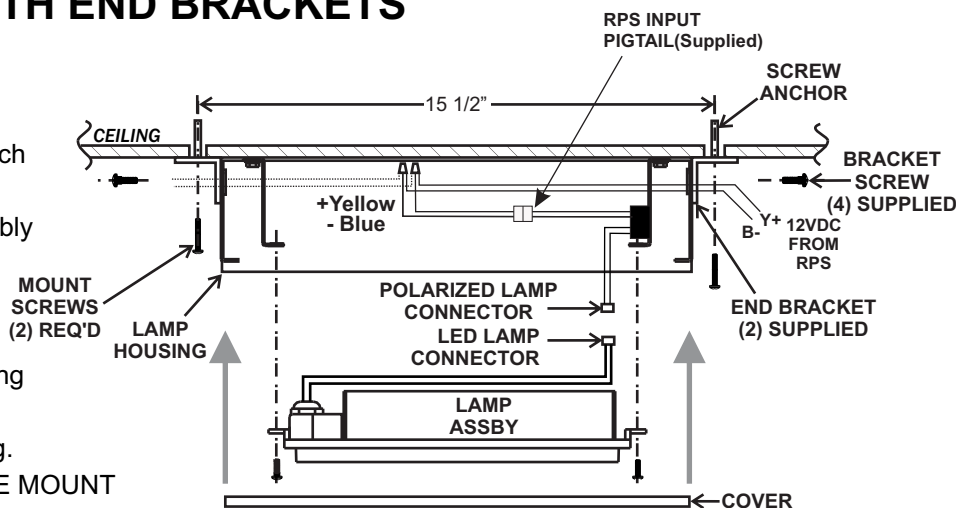


Fig.2

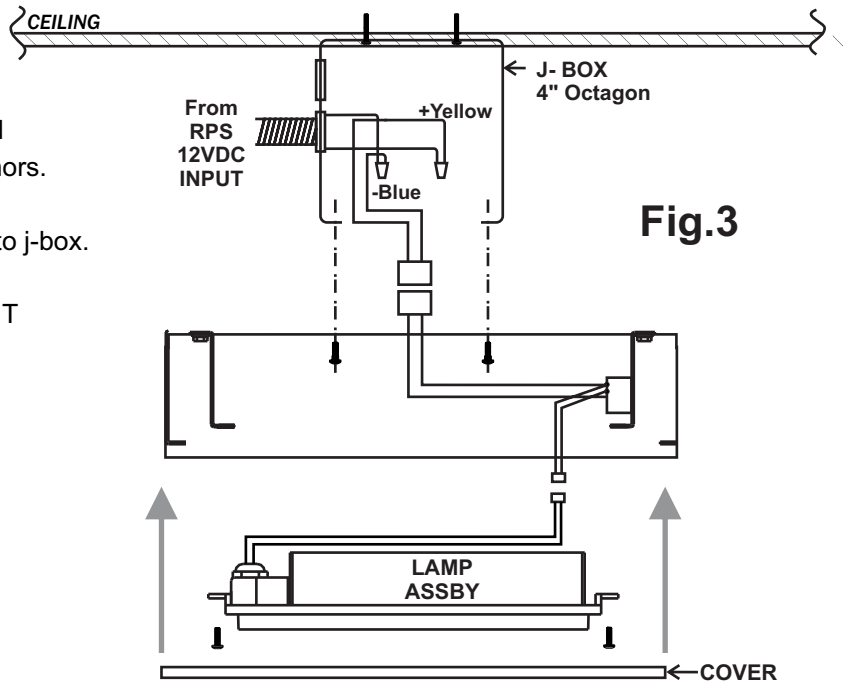
IMPORTANT SAFEGUARDS READ AND FOLLOW ALL SAFETY INSTRUCTIONS

1. Disconnect AC power before servicing.
2. Refer to wiring diagram for proper connections.
3. All servicing should be performed by qualified personnel.
4. Consult your local building code for approved wiring and installation.
5. Do not use this equipment for other than intended use.
6. Do not let power cords touch hot surfaces.
7. Mount and secure the fixture at a location and height to avoid ready access and tampering by unauthorized persons.
8. The use of accessory equipment is not recommended by the manufacturer and may cause an unsafe condition.
9. Suitable for wet locations. See product label for temperature limitations.

SAVE THESE INSTRUCTIONS

3. SURFACE MOUNT TO J-BOX

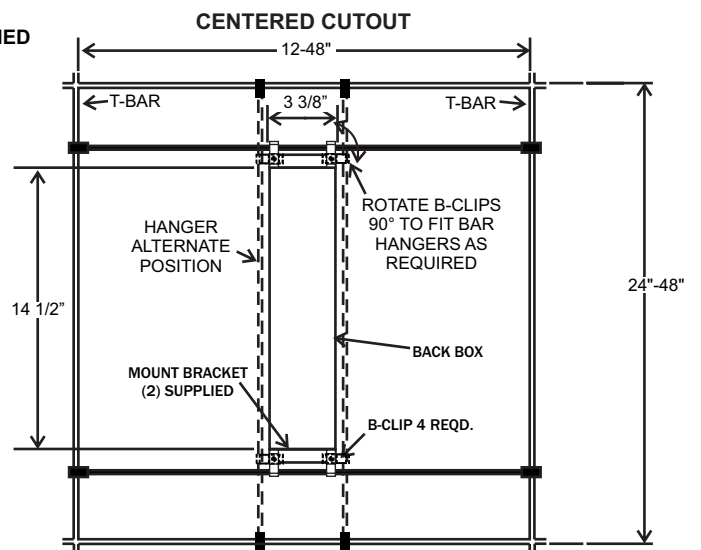
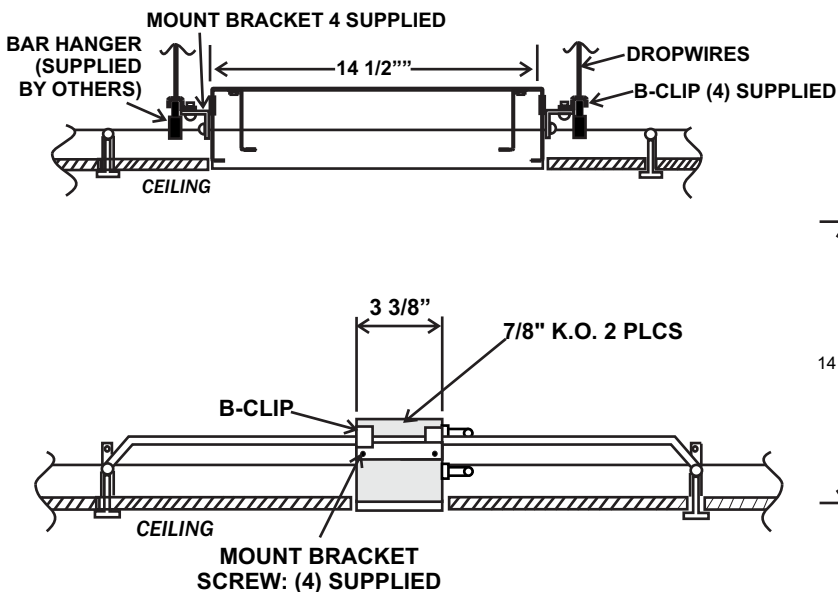
1. See Fig 3. Install standard 4" Octagon J-box centrally above installation point as shown and secure to ceiling using appropriate screw anchors.
2. Route 12VDC INPUT wiring from RPS Box into j-box.
3. Proceed as for STANDARD SURFACE MOUNT steps 4 - 5.



4. RECESSED MOUNT: T-BAR CEILING

Install Housing in ceiling using supplied end brackets with B-Clips to framing or hanger bars (supplied by others). Long edges of Housing should be flush with finished panel surface.

For T-Bar installations, rotate side bracket clips as required to fit T-Bar hangers. For masonry ceilings, attach side brackets to framing.



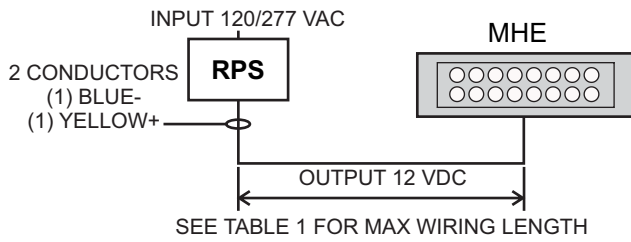


TABLE 1
MAXIMUM WIRING LENGTH
FROM RPS TO FIXTURE

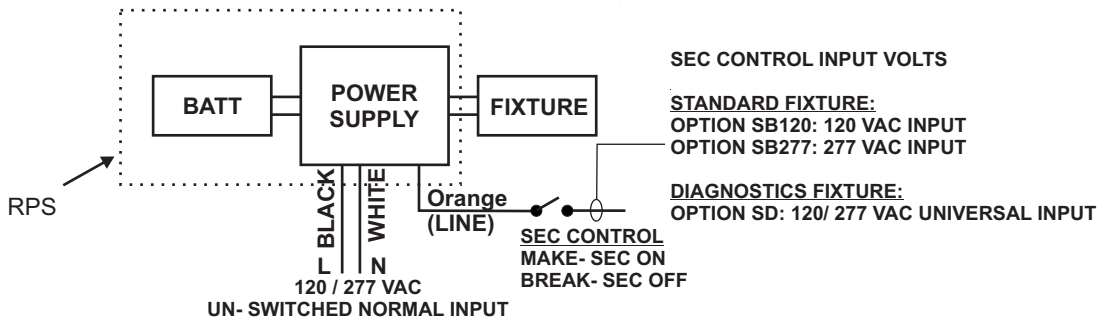
WIRING SIZE AWG	LENGTH (FT)
	MHE30-RPS
#20	25
#18	40
#16	60
#14	100
#12	160
#10	250

Remote Power Supply (RPS)

1. See Fig. 1. Place power supply assembly inside housing and note available knock-outs for wiring clearance. Remove suitable K.O's in areas with clearance for wiring and connectors. Use framing or brackets to install RPS housing as shown, in a location convenient for access to battery and power supply. Align top edge flange flush with finished panel surface. See Table 1 to estimate wire size required based on maximum wiring length for low voltage output wiring from RPS to the fixture.

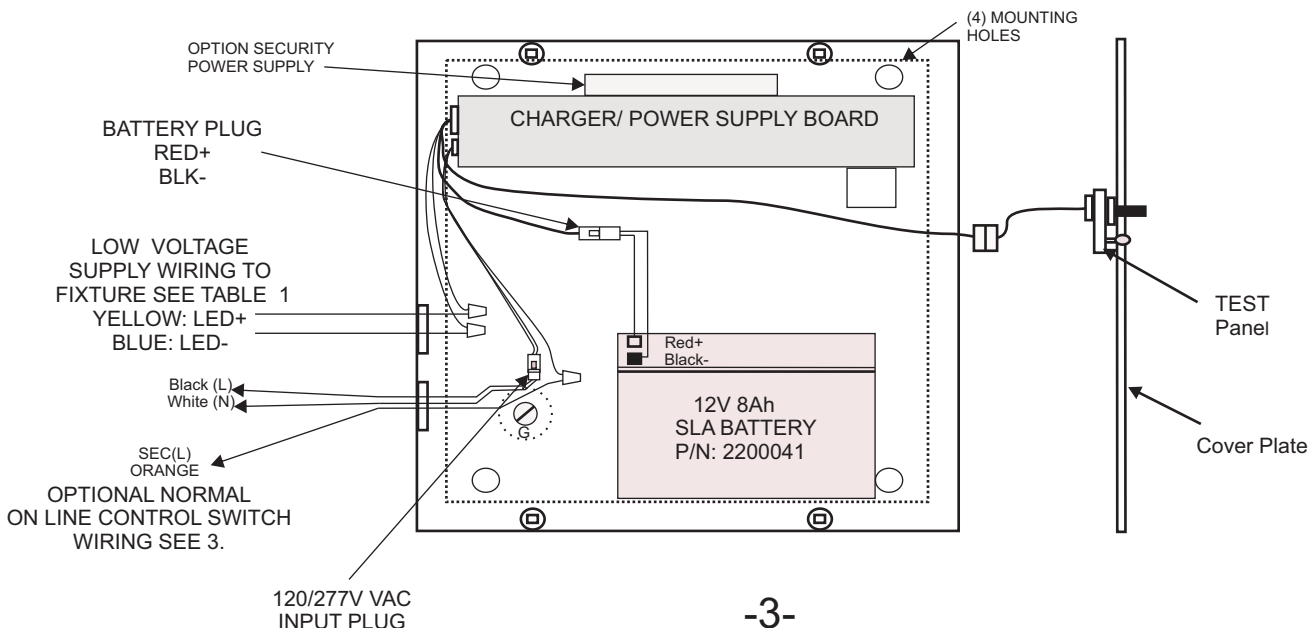
2. **INPUT WIRING:** Connect BLACK/WHITE AC input wiring to building supply with wire nuts, and connect GROUND to Housing with Screw mount.

3. **SECURITY LIGHTING SWITCH CONTROL (OPTION -SB or SD)**



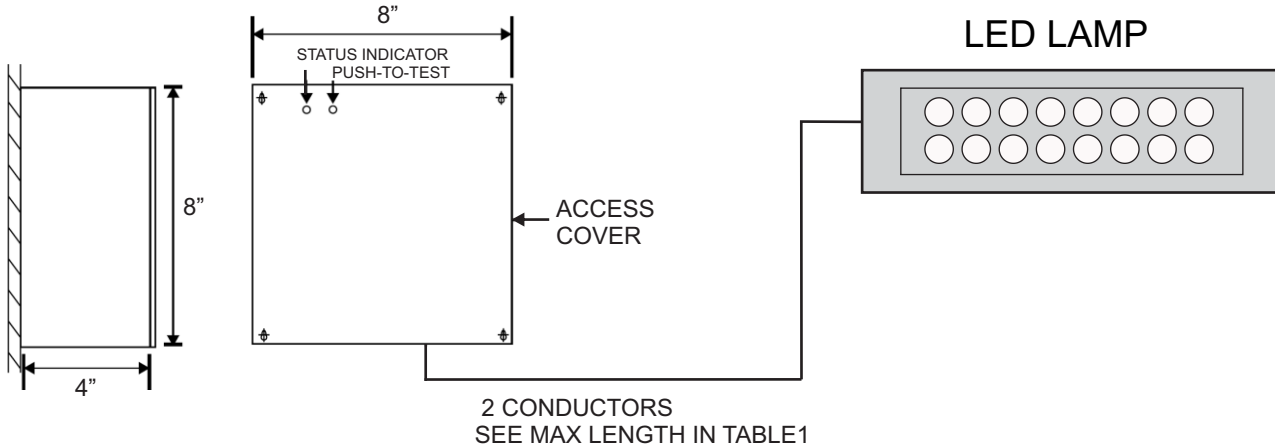
4. **OUTPUT LOW VOLTAGE WIRING*:** See Table 1 for minimum wire size based on distance to fixture. Example using #20 AWG, max distance is 40 ft. Route conductors from the RPS to the fixture location.

5. **Connect the BATTERY plug:** NOTE If AC power is OFF, the fixture will turn ON under battery power. To minimize battery discharge, turn AC power ON after fixture is connected, or disconnect battery.

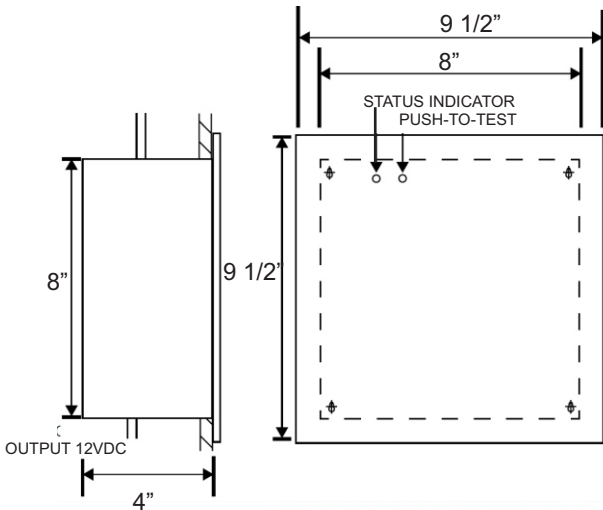


MOUNTING DATA:

SURFACE MOUNT



RECESS MOUNT(OPTION)



Self-test Diagnostic Functions
 (BB models)

STATUS	LED DISPLAY
Normal Full Charge	● GREEN ON
Normal Fast Charge	● ORANGE ON
Failed Battery	● ● RED FLASH FAST
Failed Lamp	● ● GREEN FLASH
Failed Transfer	● ● ORANGE FLASH
Failed Charger	● ● RED FLASH SLOW

TABLE 1
MAXIMUM WIRING LENGTH
FROM RPS TO FIXTURE

WIRING SIZE AWG	LENGTH (FT)
	MHE30-RPS
#20	25
#18	40
#16	60
#14	100
#12	160
#10	250



Signtex Inc
 LIGHTING

220 VFW Avenue, Grasonville, MD 21638
 TEL: (410) 827-8300 Fax: (410) 827-8866
 sales@signtexinc.com www.signtexinc.com