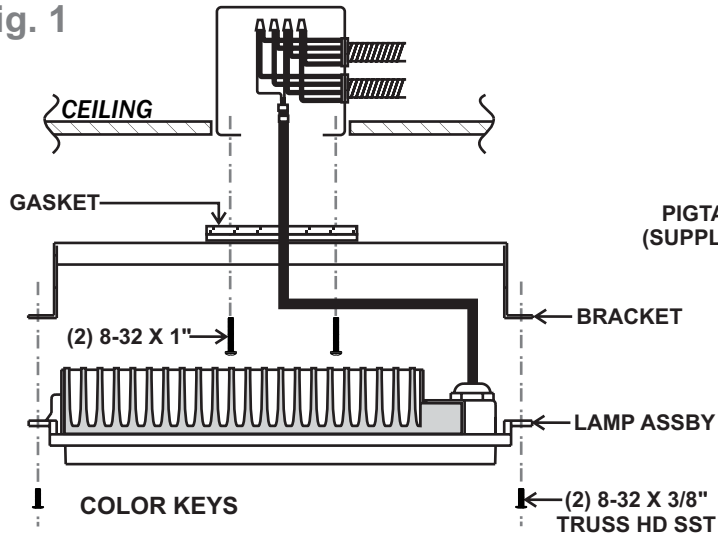


Installation Instructions & Users Manual

SURFACE BRACKET TOP MOUNT RECESSED J-BOX

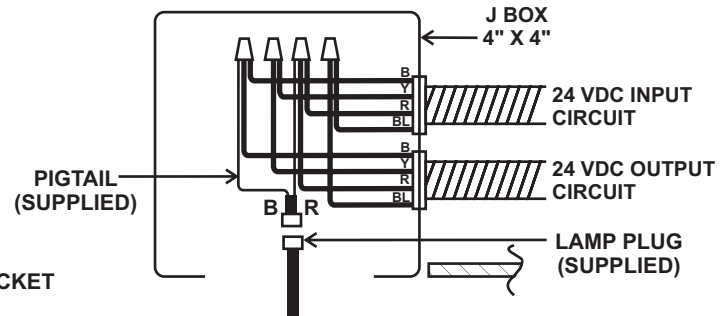
Fig. 1



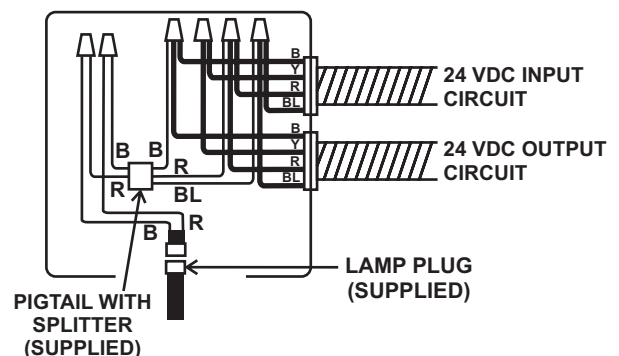
COLOR KEYS

- 24V TERMINALS FROM BATTERY PANEL**
 B= BLACK:COMMON: 12/24 VDC NEG -
 Y= YELLOW: EXITS/CVRE: 12/24 VDC POS +
 R= RED: EMERGENCY: 24VDC POS +
 BL= BLUE: NORMAL ON LIGHTING (NOL): 24 VDC POS +
- 24V INPUT TO MHE LAMP ASSEMBLY**
 R = RED: 24VDC POS+
 B = BLACK: COMMON 24VDC NEG-

EM Lighting Only



Normal On Lighting Option



- See Fig 1 and wiring details for EM Lighting Only, and Normal On Lighting Option. Identify mount position and install 4" x 4" J-Box. Route 24VDC wiring IN/OUT as shown and connect pigtail (supplied) with lamp plug. Connect Pigtail RED to +24VDC RED power input, and BLACK to -24VDC BLACK power input wiring with standard wire nuts.

NOTE: REVERSE POLARITY WILL DAMAGE FIXTURE AND VOID WARRANTY

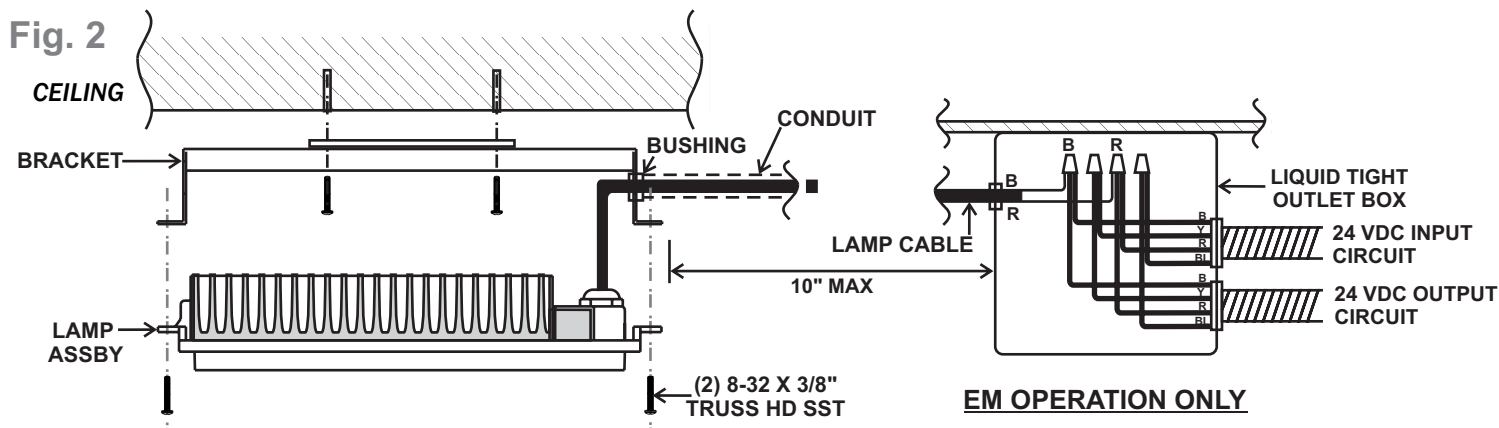
- Remove Lamp Assembly from mount bracket, Punch holes in correct location to match j-box. Route pigtail plug through mount plate and secure bracket in position with (2) #8-32 screws. Ensure that gasket is in place correctly and tighten screws. **NOTE: If gaps appear around gasket, fill areas with silicone sealant.**
- Connect lamp plug from Lamp Assembly and push connector and extra wire cable through gasket into J-Box. Install (2) 8-32 x 3/8" Truss head screws to secure Lamp Assembly into bracket.

IMPORTANT SAFEGUARDS READ AND FOLLOW ALL SAFETY INSTRUCTIONS

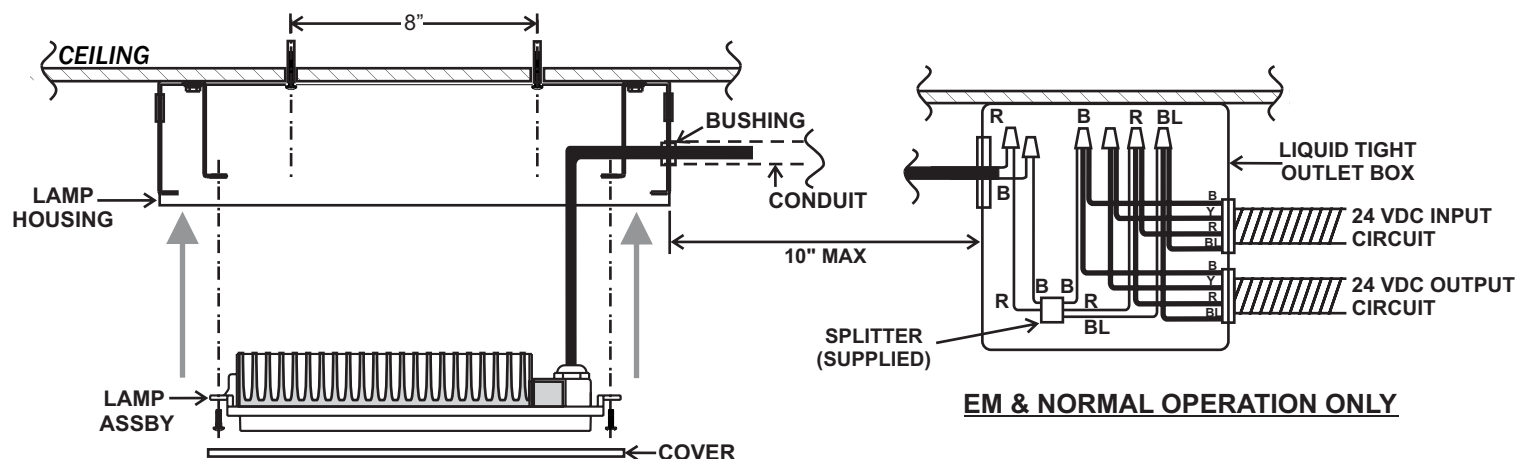
- | | |
|---|---|
| <ol style="list-style-type: none"> 1. Disconnect AC power before servicing. 2. Refer to wiring diagram for proper connections. 3. All servicing should be performed by qualified personnel. 4. Consult your local building code for approved wiring and installation. 5. Do not use this equipment for other than intended use. 6. Do not let power cords touch hot surfaces. | <ol style="list-style-type: none"> 7. Mount and secure the fixture at a location and height to avoid ready access and tampering by unauthorized persons. 8. The use of accessory equipment is not recommended by the manufacturer and may cause an unsafe condition. 9. Suitable for wet locations. See product label for temperature limitations. |
|---|---|

SAVE THESE INSTRUCTIONS

SURFACE BRACKET TOP MOUNT WITH EXTERNAL J-BOX



SURFACE HOUSING TOP MOUNT WITH EXTERNAL J-BOX



1. See Fig 2 and wiring details for EM Lighting Only, and Normal On Lighting Option. Identify mount position and install 4" x 4" LIQUID TIGHT J-Box near to fixture. Route 24 VDC wiring IN/OUT as shown and connect pigtail (supplied) with lamp plug.
2. Install screw anchors in mounting surface for (4) #8-32 screws to match holes provided in Bracket or Housing.
3. Remove Lamp Assembly and install (4) #8-32 screws to secure Bracket or Housing in position.
4. Secure lamp assembly to bracket with screws provided and route lamp cable through opening in end of bracket. Insert lamp cable through liquid tight bushing into LIQUID TIGHT j-box.
5. Connect RED +24V lamp wire to POSITIVE +24V power input circuit and BLACK -24V lamp wire to COMMON NEGATIVE -24V power input circuit with standard wire nuts.

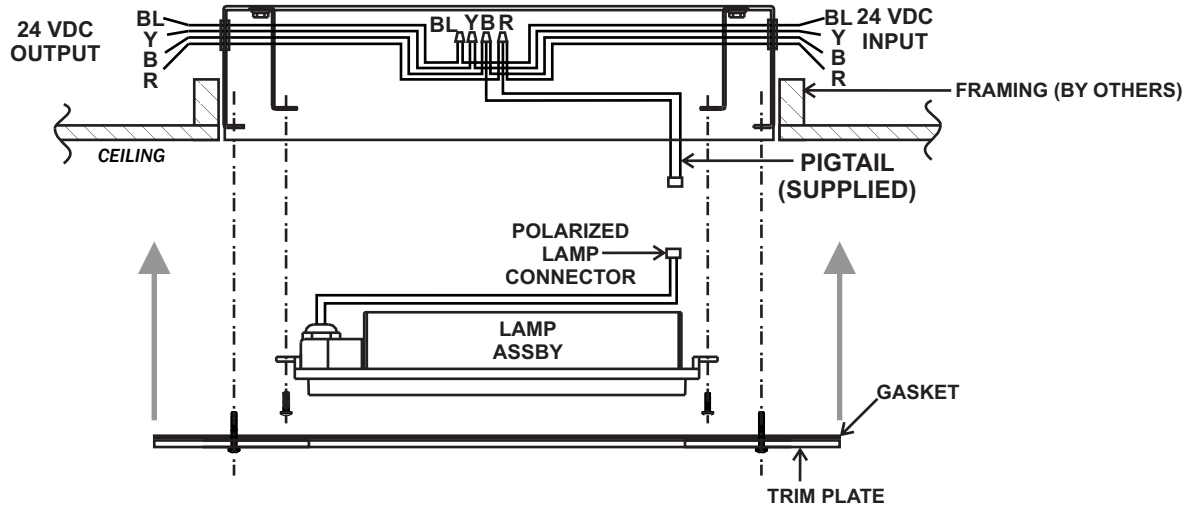
CHECK CONNECTIONS BEFORE SUPPLYING POWER :

REVERSE POLARITY WILL PERMANENTLY DAMAGE FIXTURE

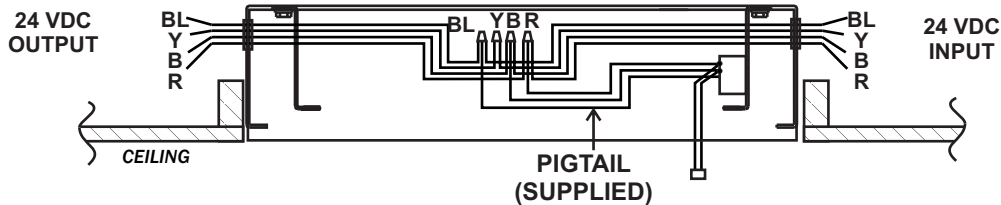
6. Supply 24VDC power from central battery or normal on/security power system to check lamp operation.

Fig. 3. RECESSED MOUNT- WIRING

WIRING FOR EM OPERATION ONLY



WIRING FOR EM & NORMAL ON OPERATION

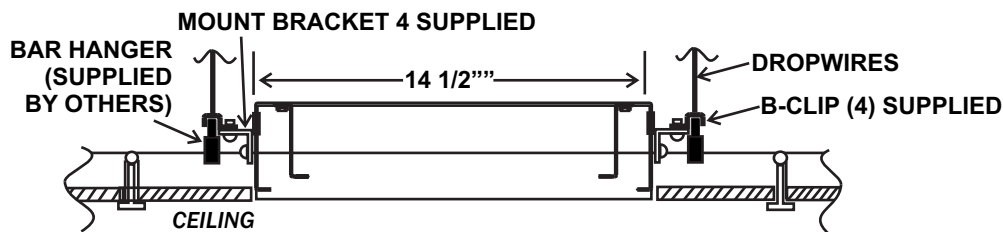


KEY

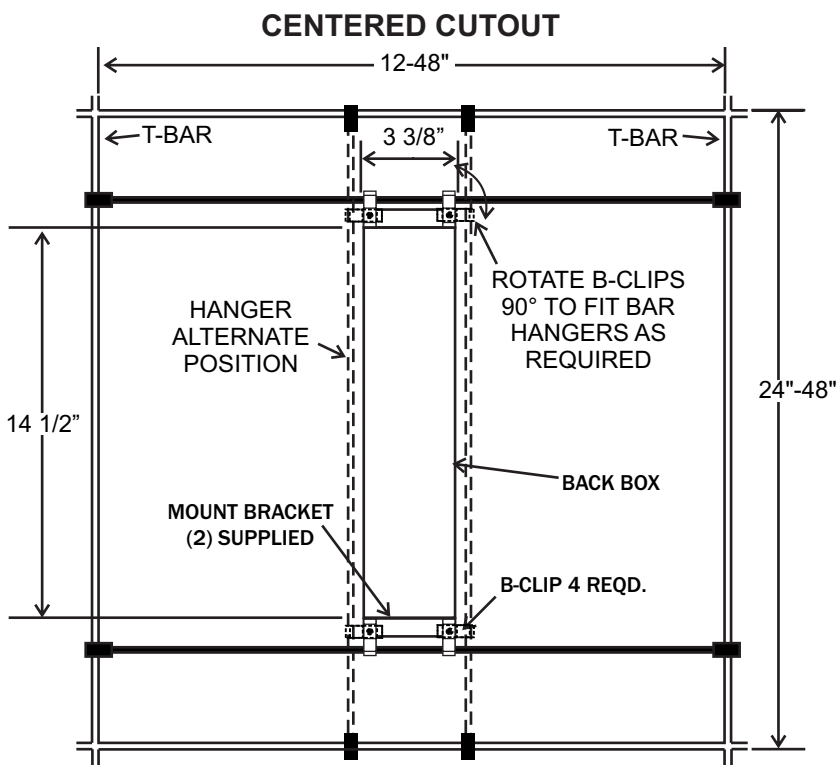
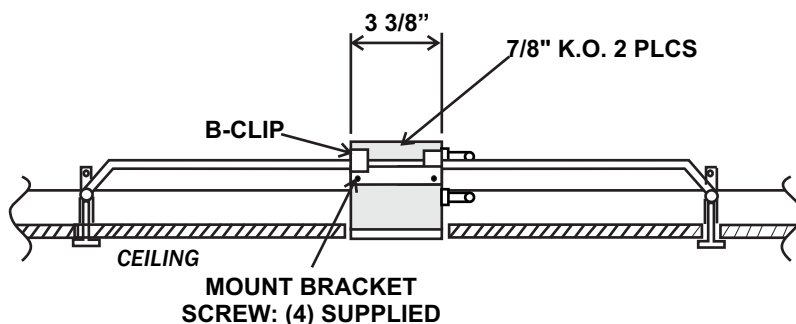
B BLACK : COMMON 12/24 VDC NEG -
Y YELLOW: EXITS 12-24 VDC POS +
R RED: EMERGENCY: 24VDC POS +
BL BLUE : NORMAL ON LIGHTING
 (NOL): 24 VDC POS +

1. Route 24VDC IN/OUT wiring from CBS system into Housing.
2. Connect wiring with standard wire nuts to the supplied wiring pigtail, as shown. For emergency lighting operation only, connect RED and BLACK; for normally ON/security lighting operation, connect RED, BLACK and BLUE. (YELLOW wire is passed through and not connected to this fixture).
3. Connect lamp plug and install lamp assembly with (4) #8 screws. Attach Trim Plate with (2) color-matched #8-32 screws as shown. Ensure gasket is properly seated on flat surface. Use silicone on outer edge if surface is rough.
4. Supply 24 VDC power from Central Battery System to check lamp operation.

Fig. 4. RECESSED MOUNT: T-BAR CEILING



For T-Bar installations, rotate side bracket clips as required to fit T-Bar hangers. For masonry ceilings, attach side brackets to framing.



Install Housing in ceiling using supplied end brackets with B-Clips to framing or hanger bars (supplied by others). Long edges of Housing should be flush or just below finished panel surface.