

# Crystal Surface Mount

## 8" Letters

New York City Calender #44118

# Edge-lit LED Exit Signs

## Series CRS8

CRS8.11.21.06



### CONSTRUCTION

- Extruded aluminum LED lamp housing mounts to a form-fitting canopy in solid aluminum that contains a "cam lock" device, which is field adjustable for wall or ceiling mount.
- Standard finishes: satin white and brushed aluminum.
- Optional finishes: Painted colors in any custom shade, or anodized finishes in satin bronze, polished gold, mirror silver & many others.
- Diamond polished acrylic lenses for optimum light transmission, exterior quality and high brightness.
- Ultra high output LEDs produce brilliant graphic illumination well above code minimums

### ELECTRONICS

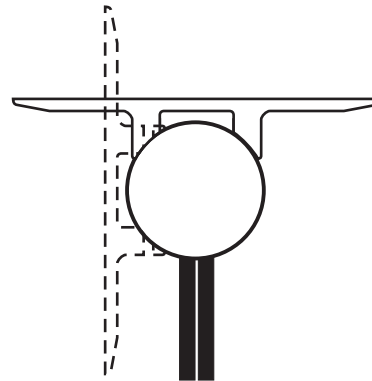
- Universal 120/ 277 VAC input for standard battery or AC unit, or 24 VDC input for remote configuration.
- Remotes may be connected to one of the following:
  - Series CBS UNIVERSAL CENTRAL BATTERY SYSTEM
  - Series MTL MASTER-REMOTE SYSTEM
- Power supply is surge and spike protected, with a low voltage disconnect.
- The complete power supply module with optional NICAD battery pack is sealed within a phenolic plastic enclosure, which fits inside a standard 4" square deep J- box. AC and DC wiring is quickly attached with plug connectors.

### DIAGNOSTICS OPTION

- An advanced microprocessor monitors all charger functions and battery condition continuously and automatically performs all tests and visual indications required by UL Standard 924 and NFPA 101.

### MOUNTING

- Field selectable wall or ceiling mount. No exposed hardware.



### CODES

- Manufactured and tested to UL Standard 924. Conforms to NFPA Life Safety Code 101, UBC and NEC.

### WARRANTY

- 5 year total customer satisfaction warranty. For details see product catalog technical data section.

### FIXTURE SCHEDULE

MODEL	CATALOG NO
APPROVAL	JOB INFORMATION



Intertek  
CONFORMS TO  
UL 924/ CSA 22.2 #141



**Sigtex Inc**  
LIGHTING  
SPECIFIED EMERGENCY LIGHTING

# Crystal Surface Mount 8" Letters

# Edge-lit LED Exit Signs Series CRS8

CRS8.11.21.06

### SUGGESTED SPECIFICATIONS:

Supply and install Sigtex CRYSTAL Series CRS8 surface mount LED exit signs, available as unit equipment or as a remote device connected to a central battery source.. The lamp housing and canopy shall be of extruded aluminum, graphic lenses shall be optical grade acrylic with diamond polished edges. Lighting uniformity shall be better than 4:1 when measured over any illuminated area and average brightness will exceed 6 ft Lambert (21 Cd/m<sup>2</sup>). Life expectancy of the LEDs shall be in excess of 20 years. The power supply and charger shall be an isolated digital type with regulated current and voltage output to the lamp load and batteries (emergency models). AC supply shall be universal 120/277 VAC input via two-wire feed. One standard power supply shall be capable of driving up to 5 single face remote signs in addition to the master, with emergency operation at least 90 minutes for each sign. Battery charge time to restore full capacity after discharge shall be less than 24 hours.

### OPTIONS:

Dual AC Input (120 VAC)	DAC
Pendant Mt 12"	PEN
Pendant Mt (Custom Length)	PENX
Damp Location	DP
Battery Diagnostics	DG
End Mount (L/R)	LE/RE
Mullion Mount	MM
Mirror Lens (SF)	M
White Lens (SF & DF)	W
Satin Bronze	BZ
For other Custom Colors: Call Factory	

### CODE:

**NOTE: PRE-INSTALL 4" X 4" X 2 1/8" DEEP J- BOX WITH 1 1/2" EXTENSION RING FOR BB & NB MODELS**

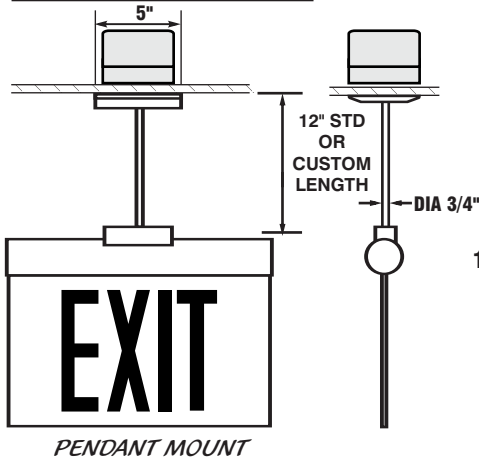
### BATTERY DIAGNOSTIC FUNCTIONS:

Microprocessor programmed to perform tests as follows:

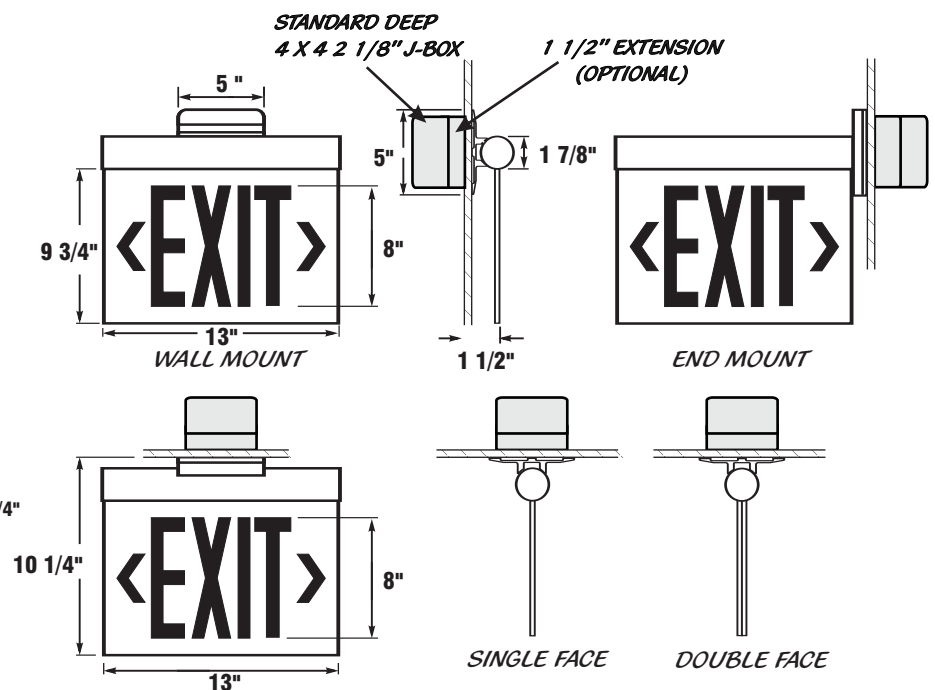
Continuous Monitoring w/ 1 Second Sampling	Every 28 Days	Every 12 Months
Lamp Connections	Transfer switch function	Full 90 minute emergency operation test with test/ fail and manual report signal
Battery Connections	Battery discharge rate under full load	

### SELF-TEST DIAGNOSTIC FUNCTIONS

STATUS	LED DISPLAY
NORMAL MODE	OFF
FAILED LAMP	GREEN
FAILED CHARGER	RED
FAILED TRANSFER	ORANGE
FAILED BATTERY	RED FLASH
FAILED ANNUAL TEST	ORANGE FLASH



### MOUNTING DATA & DIMENSIONS:



FIXTURE EPR (Watts)	CRS1RE:	2
	CRS2RE:	4
EPR= Emergency Power Rating for Battery Load		

EXAMPLE: CRS8BB-1RCBA-NA-TW-DG ORDERING INFORMATION:

**CRS8 BB - 1 R C BA - NA - TW - DG**

MODEL SERIES	OPERATION	NO. of FACES	LETTER COLOR	BACKGRD COLOR	STANDARD TRIM FINISH	ARROW DIRECTION	MOUNT	OPTIONS
CRS8	BB= Battery Backup NB= No Battery (Ac Only) REC=Remote w/ Central Battery System REM=Remote w/ Master Remote System	1= Single 2= Double	R= Red G= Green	C= Clear (SF) M=Mirror (DF) For Other Options See Above	W= Satin White BA= Brushed Alum X= Custom	NA= No Arrow AR= Arrow Right > AL= Arrow Left < AB= Arrow Both <>  Double Face Signs: NA= No Arrow LR= Single Arrow Each Side > AB= Double Arrow Each Side <>	TW= Universal Top or Wall Mount	See Above



**Sigtex Inc**  
LIGHTING

220 VFW Avenue, Grasonville, MD 21638  
TEL: (410) 827-8300 Fax: (410) 827-8866  
sales@sigtexinc.com www.sigtexinc.com



DISTRIBUTOR:

Specifications and Dimensions subject to change without notice.