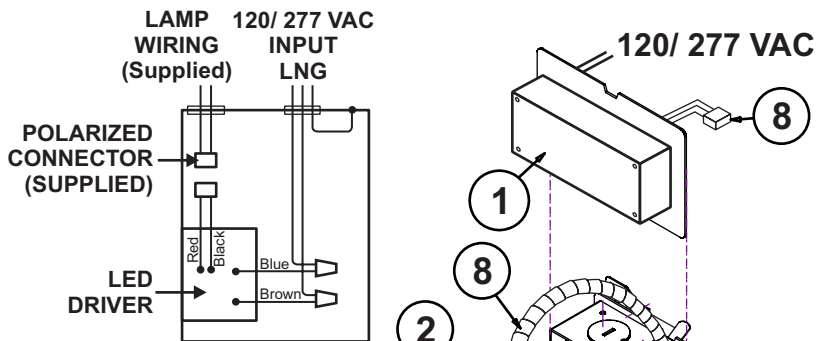
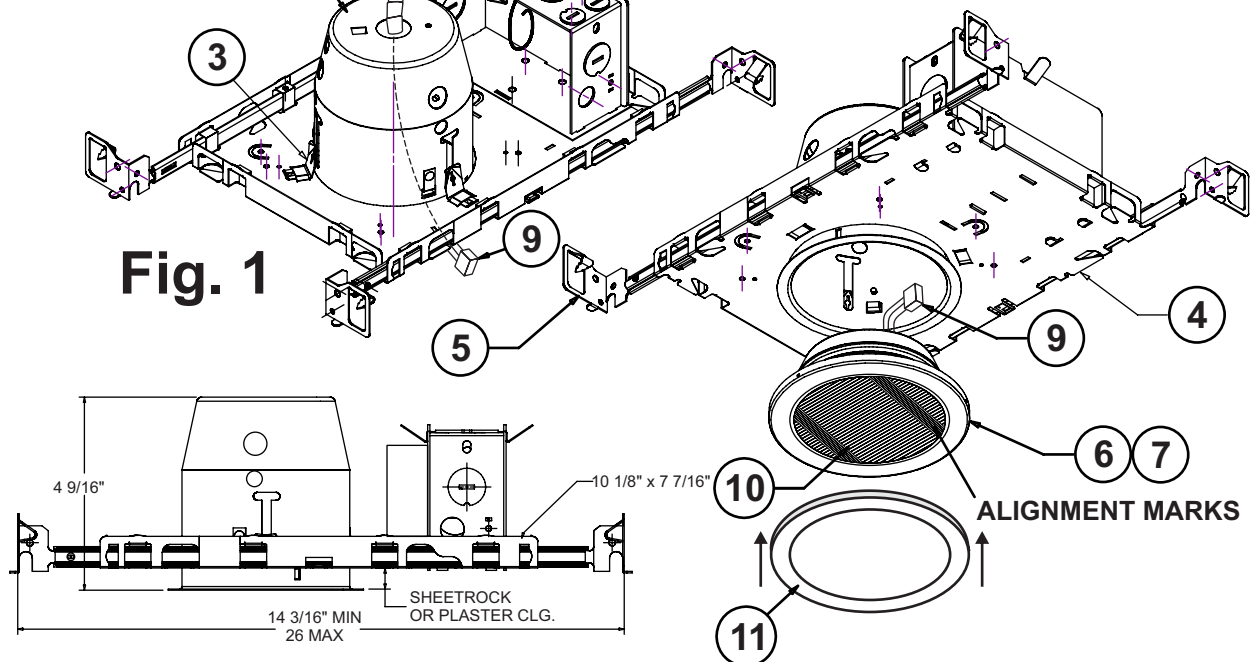


INSTALLATION INSTRUCTIONS AND OWNER'S MANUAL



ITEM	QTY	P/N	DESCRIPTION
1	1	SEE SPECS	POWER SUPPLY ASSBY
2	1	341004	HOUSING
3	3	341005	RETAINING CLIP
4	1	341006	PLASTER FRAME
5	2	341007	BAR HANGERS
6	1	341008	TRIM & LED 2- LAMP ASSBY
7	1	341009	TRIM & LED 3- LAMP ASSBY
8	1	SEE SPECS	LAMP CABLE ASSBY
9	1	N/A	LAMP CONNECTER PLUG
10	1	595100	LENS
11	1	231115	TRIM RING



- See Fig 1. Insert three Retaining Clips (3) into Plaster Frame (5) and insert two Bar Hangers (5) into slots provided as shown.
 - Install Plaster Frame assembly into ceiling. Make lamp housing cutout in ceiling plaster or tile.
 - Insert Housing (2) and Lamp Cable Assembly (8) through ceiling cutout.
 - INPUT WIRING:** Connect 120/277 AC input wiring to building supply with wire nuts, and connect GROUND to Housing with Screw mount
 - (OPTIONAL) DUAL AC INPUT:** Connect 120/277 AC emergency input wiring with wire nuts.
 - Raise Lamp Assembly to Housing and connect polarized lamp plug. Route wiring up into Housing and insert Lamp Assembly flush to ceiling panel. Snap Trim Ring (11) in place.
- NOTE:** LAMP ASSEMBLY MUST BE CORRECTLY ORIENTED WITH RESPECT TO PATH OF EGRESS. ROTATE LAMP ASSEMBLY SO THAT ALIGNMENT MARKS ARE IN LINE WITH THE PATH OF EGRESS.
- Apply AC power.

IMPORTANT SAFEGUARDS READ AND FOLLOW ALL SAFETY INSTRUCTIONS

- Disconnect AC power before servicing.
- Refer to wiring diagram for proper connections.
- All servicing should be performed by qualified personnel.
- Consult your local building code for approved wiring and installation.
- Do not use outdoors.
- Do not use this equipment for other than intended use.
- Do not let power cords touch hot surfaces.
- Mount and secure the fixture at a location and height to avoid ready access and tampering by unauthorized persons.
- The use of accessory equipment is not recommended by the manufacturer and may cause an unsafe condition.

SAVE THESE INSTRUCTIONS