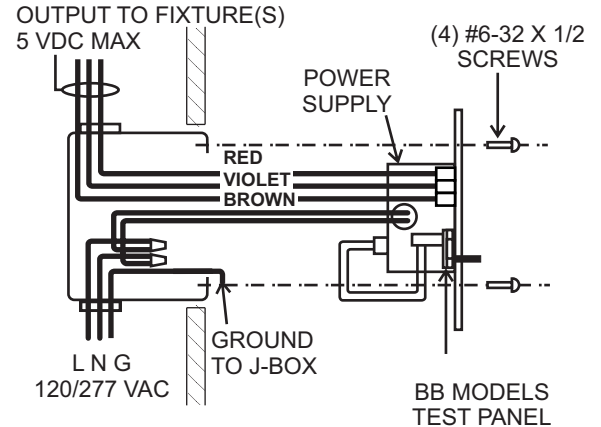
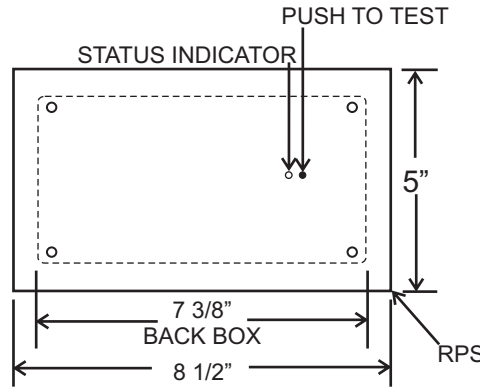
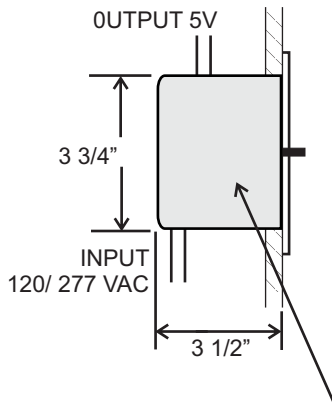
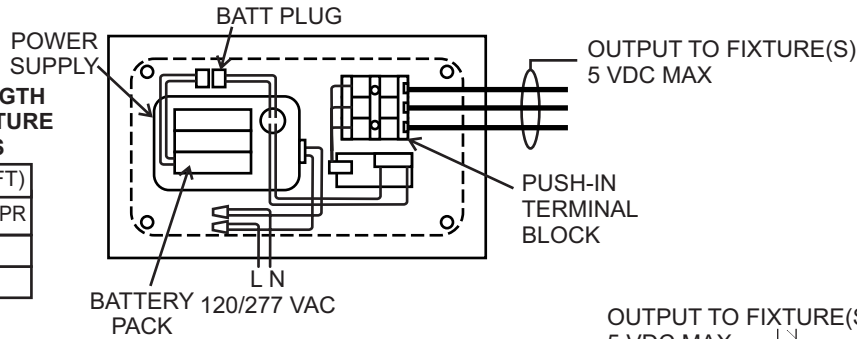


Installation Instructions & Users Manual

TABLE 1
MAXIMUM WIRING LENGTH
FROM RPS TO EXIT FIXTURE
MAX (4) EXIT SIGNS

WIRING SIZE AWG	LENGTH (FT)
#20	300
#18	400



STANDARD MASONRY BOX 3 3/4" X 3 1/2" X 7 3/8"
(SUPPLIED BY OTHERS)

TYPICAL STOCK MODELS:
CROUSE HINDS #TP693
RACO # 698

Remote Power Supply (RPS)

1. Place power supply assembly inside housing and note available knock-outs for wiring clearance. Remove suitable K.O's in areas with clearance for wiring and connectors. Use framing or brackets to install Masonry Box housing as shown, in a location convenient for access to battery and power supply. Align top edge flange flush with finished panel surface. See Table 1 to estimate wire size required based on maximum wiring length for low voltage output wiring from RPS to the fixture.

2. **INPUT WIRING:** Connect BLACK/WHITE AC input wiring to building supply with wire nuts, and connect GROUND to Housing with Screw mount.

3. **OUTPUT LOW VOLTAGE WIRING:** See Table 1 for minimum wire size based on distance to fixture. Route conductors from the RPS to the fixture location.

4. (BB Models Only): Connect the BATTERY plug. **NOTE:** If AC power is OFF, the fixture will turn ON under battery power. To minimize battery discharge, turn AC power ON after fixture is connected, or disconnect battery.

5. Turn AC power ON and check operation.

IMPORTANT SAFEGUARDS READ AND FOLLOW ALL SAFETY INSTRUCTIONS

1. Disconnect AC power before servicing.
2. Refer to wiring diagram for proper connections.
3. All servicing should be performed by qualified personnel.
4. Consult your local building code for approved wiring and installation.
5. Do not use this equipment for other than intended use.
6. Do not let power cords touch hot surfaces.
7. Mount and secure the fixture at a location and height to avoid ready access and tampering by unauthorized persons.
8. The use of accessory equipment is not recommended by the manufacturer and may cause an unsafe condition.
9. Suitable for wet locations. See product label for temperature limitations.

SAVE THESE INSTRUCTIONS