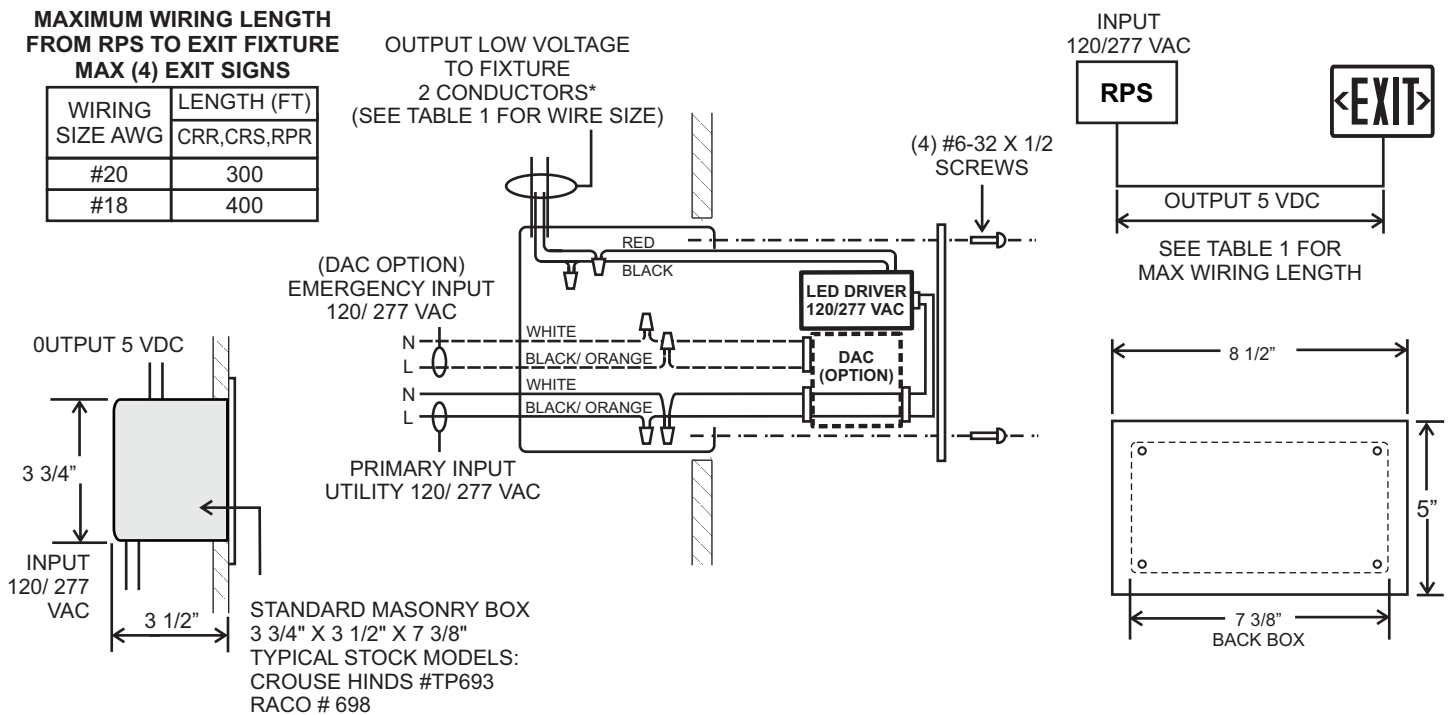


INSTALLATION INSTRUCTIONS AND OWNER'S MANUAL

TABLE 1

**MAXIMUM WIRING LENGTH FROM RPS TO EXIT FIXTURE
MAX (4) EXIT SIGNS**

WIRING SIZE AWG	LENGTH (FT)
	CRR, CRS, RPR
#20	300
#18	400



Remote Power Supply (RPS)

1. Use framing or brackets to install Masonry Box housing as shown, in a location convenient for access to battery and power supply. Align top edge flange flush with finished panel surface. See Table 1 to estimate wire size required based on maximum wiring length for low voltage output wiring from RPS to the fixture.
2. **INPUT WIRING:** Connect 120/277 AC input wiring to building supply with wire nuts, and connect GROUND to Housing with Screw mount.
3. **OUTPUT LOW VOLTAGE WIRING:** Connect output wiring to fixture. See Table 1 for minimum wire size based on distance to fixture.
4. Turn AC power ON after fixture is connected and check lamp operation.
5. (DAC OPTION): Turn Primary Supply OFF and activate Emergency Supply to check operation.

IMPORTANT SAFEGUARDS READ AND FOLLOW ALL SAFETY INSTRUCTIONS

1. Disconnect AC power before servicing.
2. Refer to wiring diagram for proper connections.
3. All servicing should be performed by qualified personnel.
4. Consult your local building code for approved wiring and installation.
5. Do not use this equipment for other than intended use.
6. Do not let power cords touch hot surfaces.
7. Mount and secure the fixture at a location and height to avoid ready access and tampering by unauthorized persons.
8. The use of accessory equipment is not recommended by the manufacturer and may cause an unsafe condition.
9. Suitable for wet locations. See product label for temperature limitations.

SAVE THESE INSTRUCTIONS