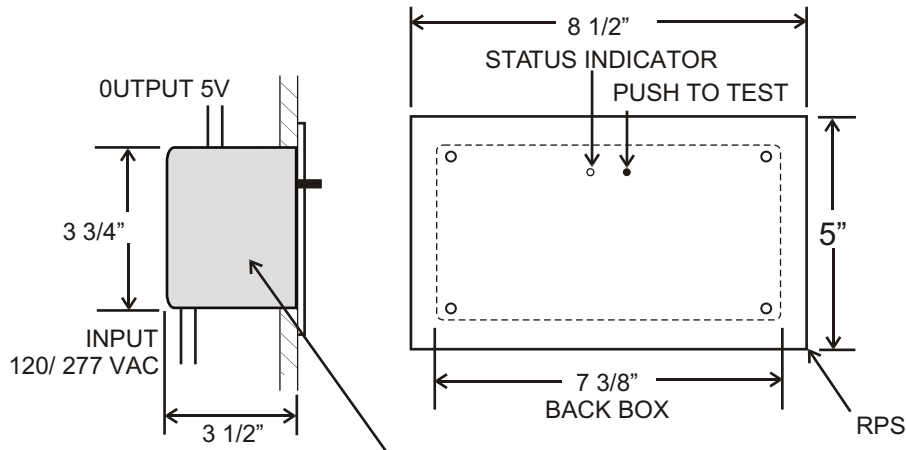


INSTALLATION INSTRUCTIONS AND OWNER'S MANUAL



STANDARD MASONRY BOX 3 3/4" X 3 1/2" X 7 3/8" TYPICAL STOCK MODELS:
CROUSE HINDS #TP693
RACO # 698

Remote Power Supply (RPS)

1. Place power supply assembly inside housing and note available knock-outs for wiring clearance. Remove suitable K.O's in areas with clearance for wiring and connectors. Use framing or brackets to install Masonry Box housing as shown, in a location convenient for access to battery and power supply. Align top edge flange flush with finished panel surface. See Table 1 to estimate wire size required based on maximum wiring length for low voltage output wiring from RPS to the fixture.

2. **INPUT WIRING:** Connect BLACK/ WHITE AC input wiring to building supply with wire nuts, and connect GROUND to Housing with Screw mount.

IMPORTANT SAFEGUARDS READ AND FOLLOW ALL SAFETY INSTRUCTIONS

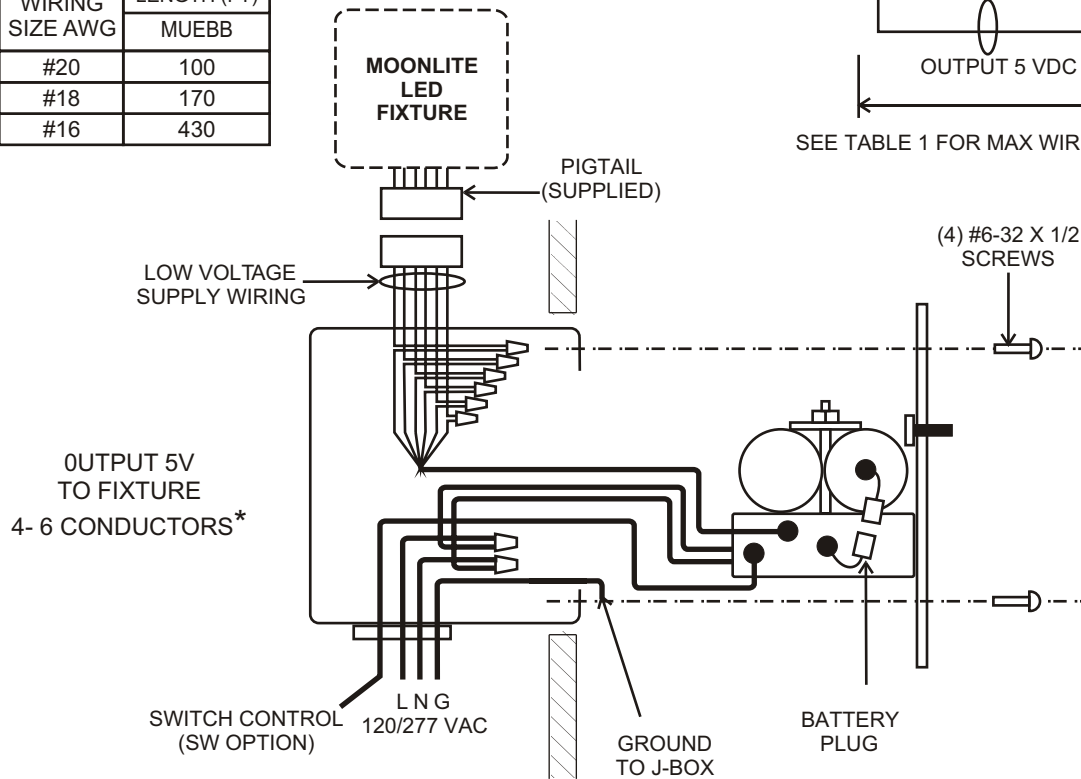
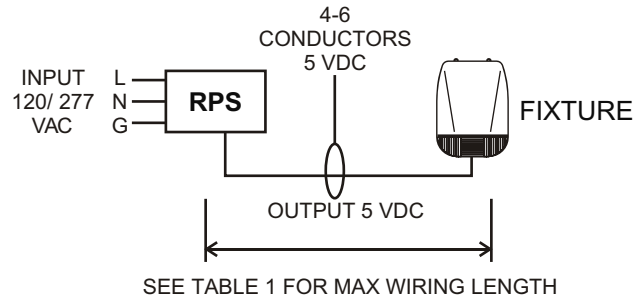
1. Disconnect AC power before servicing.
2. Refer to wiring diagram for proper connections.
3. All servicing should be performed by qualified personnel.
4. Consult your local building code for approved wiring and installation.
5. Do not use this equipment for other than intended use.
6. Do not let power cords touch hot surfaces.
7. Mount and secure the fixture at a location and height to avoid ready access and tampering by unauthorized persons.
8. The use of accessory equipment is not recommended by the manufacturer and may cause an unsafe condition.
9. Suitable for wet locations. See product label for temperature limitations.

SAVE THESE INSTRUCTIONS

TABLE 1

MAXIMUM WIRING LENGTH FROM RPS TO FIXTURE

WIRING SIZE AWG	LENGTH (FT)
	MUEBB
#20	100
#18	170
#16	430



3. OUTPUT LOW VOLTAGE WIRING: See Table 1 for minimum wire size based on distance to fixture. Example using #20 AWG, max distance is 100 ft. Route four to six conductors (2 to 3 pairs) from the RPS to the fixture location. We recommend MULTI CONDUCTOR wire for this installation.

Multiconductor Typical Specification: UL AWM Style: Control Cable #20 AWG 300V 6 conductors, Chrome PVC Jacket, 0.3 inch outside dia. Twisted Pairs of Tinned Copper Stranded Conductors.

4. SECURITY LIGHTING SWITCH CONTROL OPTION

Standard Models: To control security lighting mode connect a dry switch contact (no voltage input required) across the wires supplied. When the wires are connected security lighting mode will be activated. To turn OFF disconnect the dry contact.

DG Models: To control security lighting mode, connect the RED SW wire to a 120 VAC/ 277 VAC supply with switch or timer. Power ON will activate security lighting mode, power OFF to deactivate.

5. Connect the BATTERY plug: NOTE If AC power is OFF, the fixture will turn ON under battery power. To minimize battery discharge, turn AC power ON after fixture is connected, or disconnect battery.

