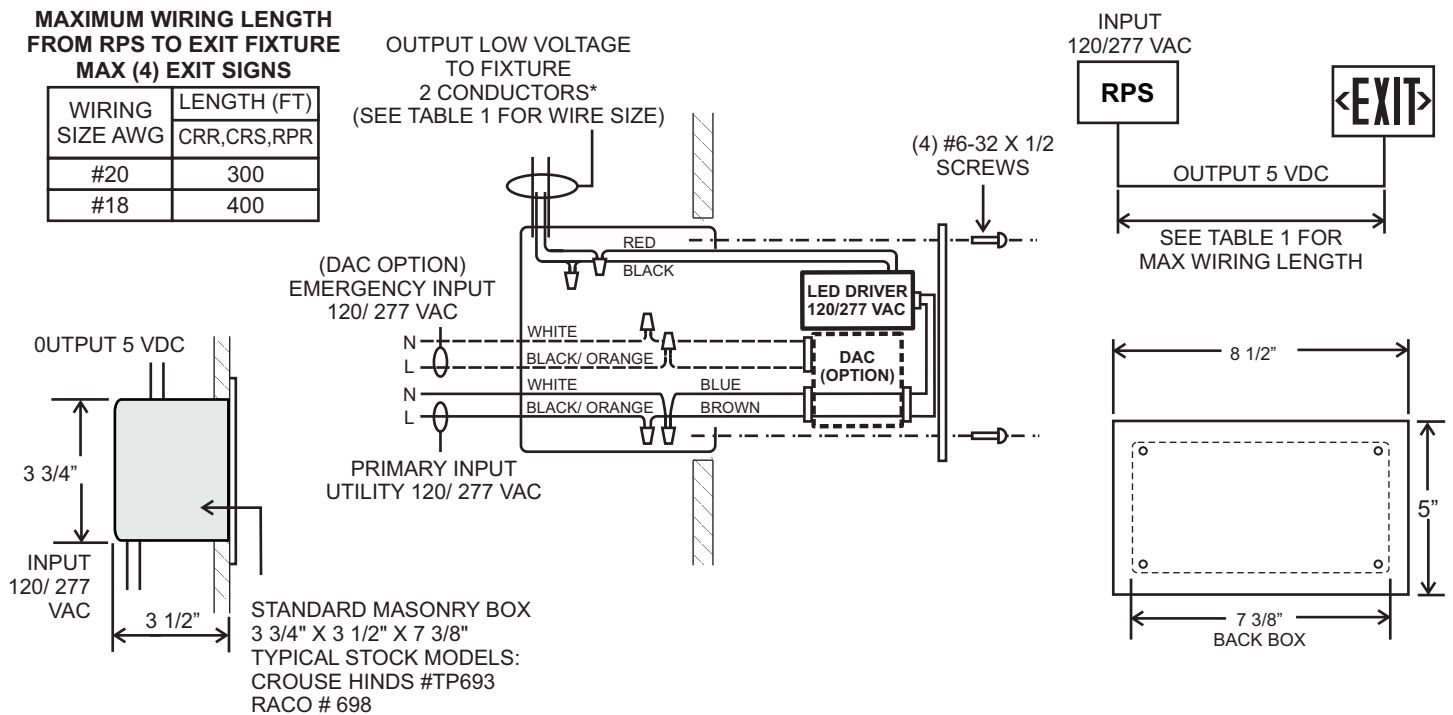


INSTALLATION INSTRUCTIONS AND OWNER'S MANUAL

TABLE 1

**MAXIMUM WIRING LENGTH FROM RPS TO EXIT FIXTURE
MAX (4) EXIT SIGNS**

WIRING SIZE AWG	LENGTH (FT)
	CRR,CRS,RPR
#20	300
#18	400



Remote Power Supply (RPS)

1. Use framing or brackets to install Masonry Box housing as shown, in a location convenient for access to battery and power supply. Align top edge flange flush with finished panel surface. See Table 1 to estimate wire size required based on maximum wiring length for low voltage output wiring from RPS to the fixture.
2. **INPUT WIRING:** Connect 120/277 AC input wiring to building supply with wire nuts, and connect GROUND to Housing with Screw mount.
3. **OUTPUT LOW VOLTAGE WIRING:** Connect output wiring to fixture. See Table 1 for minimum wire size based on distance to fixture.
4. Turn AC power ON after fixture is connected and check lamp operation.
5. (DAC OPTION): Turn Primary Supply OFF and activate Emergency Supply to check operation.

IMPORTANT SAFEGUARDS READ AND FOLLOW ALL SAFETY INSTRUCTIONS

1. Disconnect AC power before servicing.
2. Refer to wiring diagram for proper connections.
3. All servicing should be performed by qualified personnel.
4. Consult your local building code for approved wiring and installation.
5. Do not use this equipment for other than intended use.
6. Do not let power cords touch hot surfaces.
7. Mount and secure the fixture at a location and height to avoid ready access and tampering by unauthorized persons.
8. The use of accessory equipment is not recommended by the manufacturer and may cause an unsafe condition.
9. Suitable for wet locations. See product label for temperature limitations.

SAVE THESE INSTRUCTIONS

INSTALLATION INSTRUCTIONS AND OWNER'S MANUAL

ITEM	QTY	P/N	DESCRIPTION
1	1	346300	BASE
2	1	346400	HOUSING

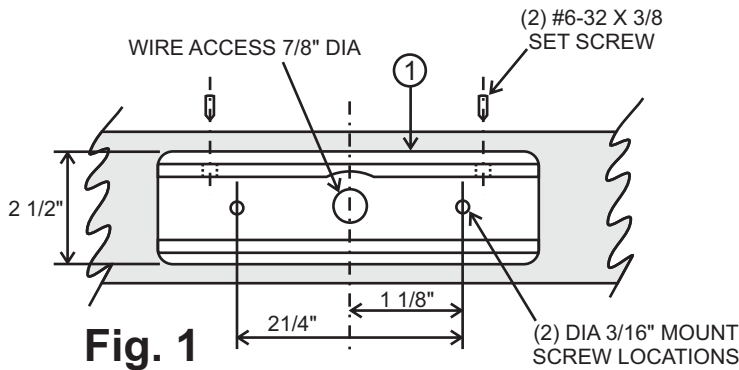
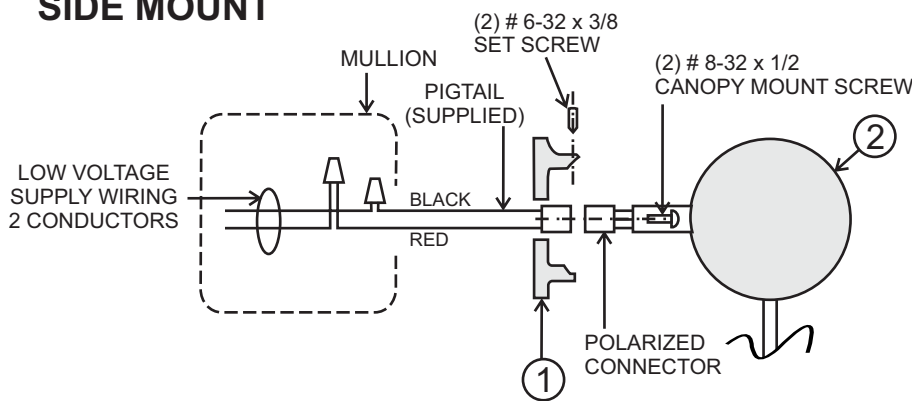
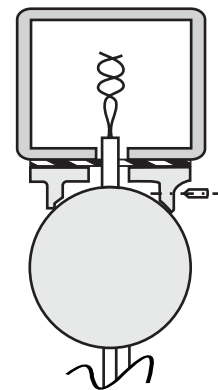


Fig. 1

SIDE MOUNT



TOP MOUNT (OPTION)



Fixture Assembly

1. See Fig 1. Drill 7/8" dia access hole in the mullion beam at center of fixture location, together with screw mount holes as shown. Route supply wiring through mullion and Base (1). Position Base (set screws on upper edge), and attach base to mullion with two #8-32 screws.
2. Attach lamp plug connector pigtail to supply wiring with wire nuts. MAINTAIN COLOR CODES AT CONNECTOR.
3. Carefully insert wire nuts into mullion.
4. Connect Lamp Plug to pigtail connector and carefully insert the plug assembly through the entrance hole. Line up and place Housing into position on the base, hold in place and tighten two #6-32 set screws to lock.
5. Turn AC power ON at the RPS to check operation.