

INSTALLATION INSTRUCTIONS AND OWNER'S MANUAL

IMPORTANT SAFEGUARDS READ AND FOLLOW ALL SAFETY INSTRUCTIONS

Before connecting to power supply, TURN OFF ELECTRICAL
POWER AT CIRCUIT BREAKER OR FUSE

Disconnect AC power before servicing.

Refer to wiring diagram for proper connections.

All servicing should be performed by qualified personnel.

Consult your local building code for approved wiring and installation.

Do not use outdoors.

Suitable for indoor damp locations (when specified).

Do not let power cords touch hot surfaces.

Do not mount near gas or electric heaters.

Mount and secure exit sign at a location and height to avoid
ready access and tampering by unauthorized persons.

(Exception: Floor proximity installations)

The use of accessory equipment is not recommended by
the manufacturer and may cause an unsafe condition.

Do not use this equipment for other than intended use.



SAVE THESE INSTRUCTIONS



Signtex Inc
LIGHTING

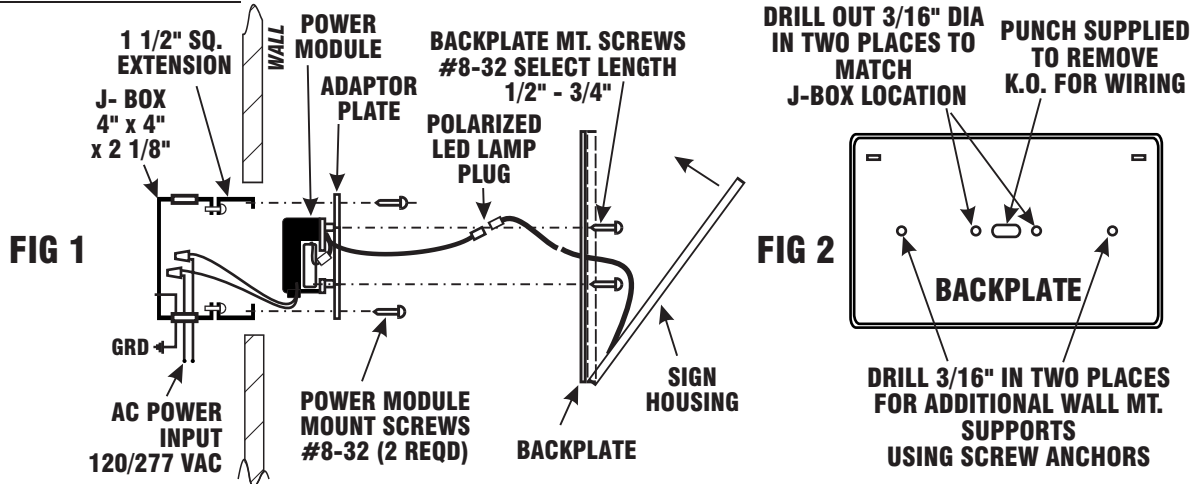
SPECIFIED EMERGENCY LIGHTING

REV 07.07.2

Before installing or connecting any primary power wiring, **DISCONNECT MAIN POWER SUPPLY AT THE CIRCUIT BREAKER OR FUSE.**

**ALL INSTALLATIONS REQUIRE STANDARD TYPE 4" x 4" SQ x 2 1/8" DEEP J- BOX.
SET ADAPTOR PLATE 1/4" - 3/8" BELOW FINISHED PANEL SURFACE**

SINGLE FACE WALL MOUNT

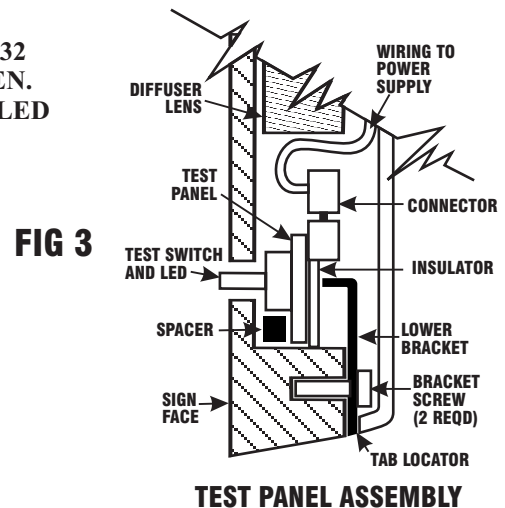


1. SEE FIG. 1. Install J-Box 1/8"-1/4" below finished panel surface. Connect Power Module AC wiring to building supply in J-Box, using wire nuts or connectors supplied. **BLACK: 120 277 VAC WHITE: Common.**
2. Route wire nuts to side of J-box, insert Power Module into box and secure with 2 #8-32 box screws. **NOTE: Power module orientation is universal, position as required to clear connectors and wire nuts in J-box.**
3. Remove back plate from sign assembly by inserting pin (small screwdriver or allen key) into 2 release holes in top edge, press down to release clips and hinge cover away from housing.
4. SEE FIG. 2. Using punch supplied, support backplate on raised flat surface and knock out oval opening in center. **NOTE: Remove any sharp edges around opening by file or sharp metal blade. Drill 3/16" diameter holes at locations noted above. For additional support drill out 2 additional 3/16" dia holes at left and right sides on center. Locate back plate in position on wall and mark support holes; install wall anchors for support screws.**
5. For battery backup models, connect 2-pin polarized battery plug.
6. Run LED lamp plug through backplate. Attach back cover to j-box with 2 #8-32 screws supplied. Install and tighten 2 support screws. **DO NOT OVERTIGHTEN.**
7. Insert 2 tabs on base of sign assembly into slots in base of back cover. Connect LED lamp plug.
8. Hinge sign assembly into position and snap closed.

To remove signs, repeat step 3.

CHEVRON ARROW SELECTION

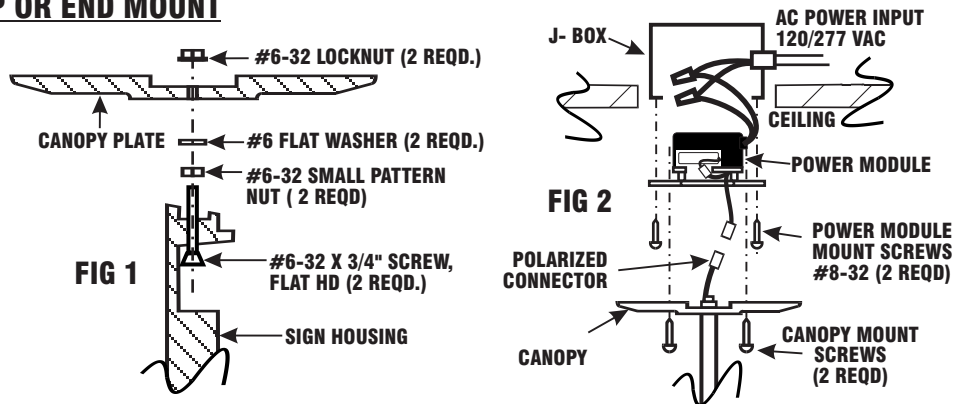
1. With backplate removed, place sign face on scratch- free surface.
2. Remove four #8-32 screws and detach two corner brackets and one lower bracket. Retain all screws.
3. Remove lens diffuser and place on scratch- free surface. LED panel and test panel assembly (in battery backup models only) can be left in place. If removed, see Fig. 3 for assembly.
4. Place sign face down on raised wooden blocks (or other scratch- free surface), and carefully knock out selected chevron with hammer and small punch.
5. Place upper edge of lens diffuser against flexible spacers, compress spacers slightly and lower bottom edge of diffuser into place next to LEDs. Replace three brackets and continue with installation



Rapier Diecast LED Top or End Mount Installation Series RPR

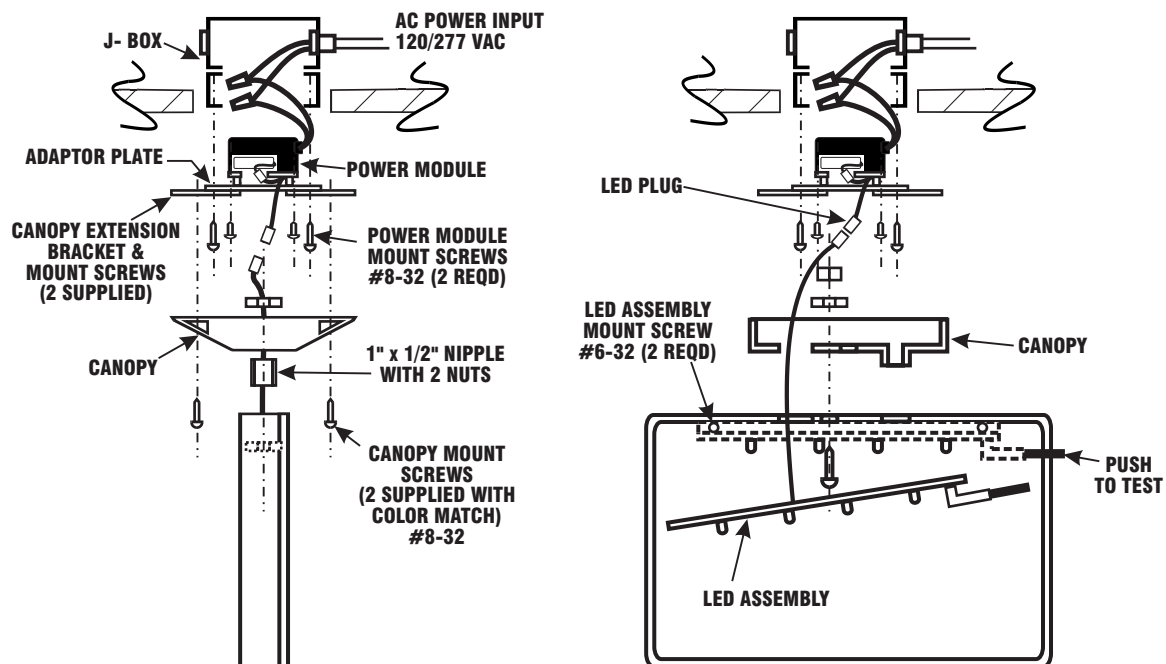
BATTERY BACKUP & AC LINE POWER SUPPLY: ALL INSTALLATIONS REQUIRE 4" X 4" X 2 1/8" DEEP J-BOX. SET J-BOX 1/4"-3/8" BELOW FINISHED PANEL SURFACE.

SINGLE FACE TOP OR END MOUNT



1. Follow WALL MOUNT steps 1-3.
2. For battery backup models, connect 2-pin polarized battery plug.
3. See Fig. 1 and 2 above. Route LED connector through slot in top of housing and through canopy. Insert 6-32 x 3/4" flat head screws into housing and lock down two nuts firmly. Run flat washers on screws, position canopy, and firmly tighten two lock nuts as shown.
4. Raise sign to J-box, connect LED wiring and secure sign assembly with 2 #8-32 color- matched screws supplied.

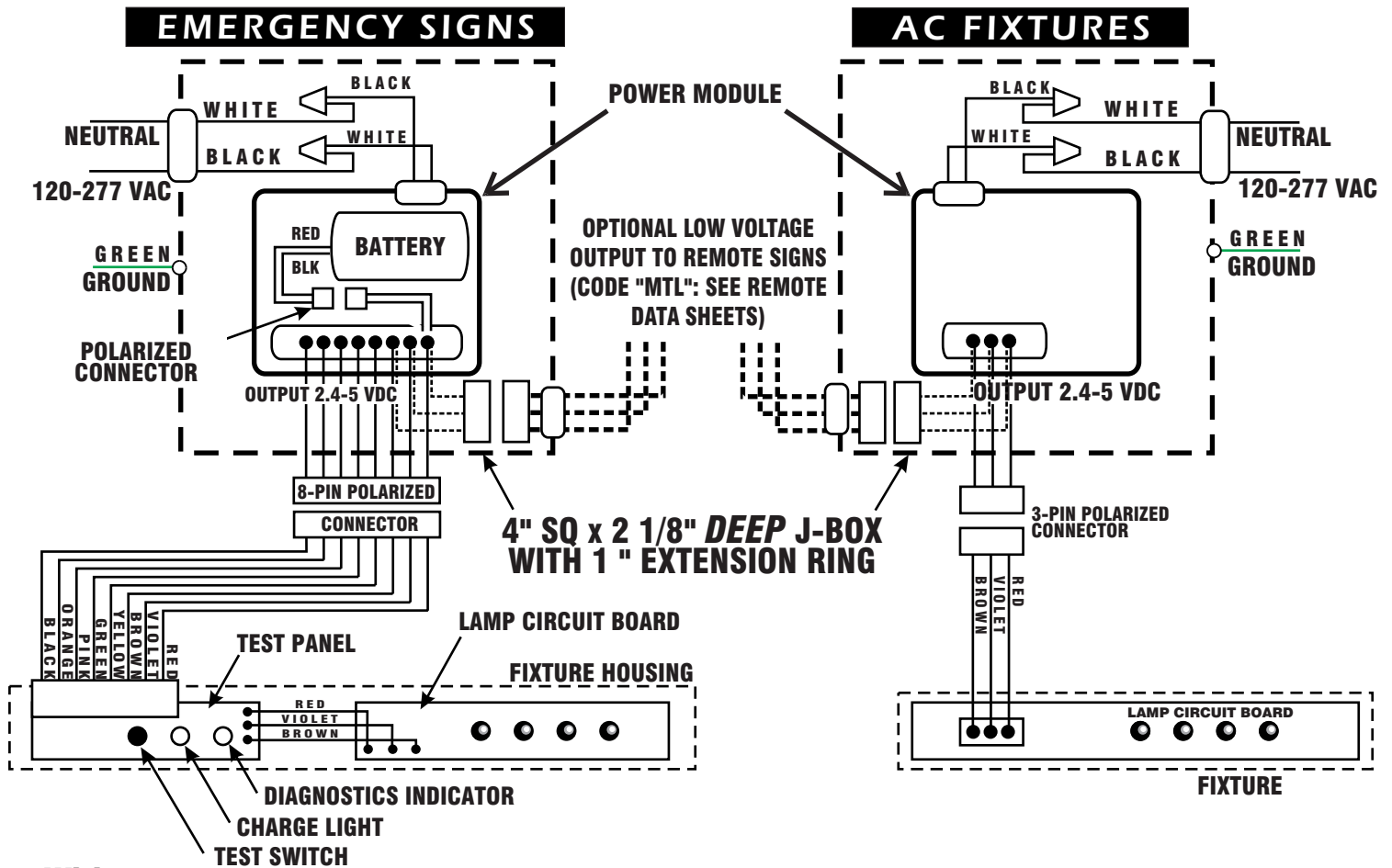
DOUBLE FACE TOP OR END MOUNT



1. Follow Wall Mount steps 1-2.
NOTE: Check required orientation for sign and Canopy, and assemble 2 extension brackets on J-box adaptor plate with 2 #8-32 x 3/8" screws supplied.
2. For battery backup models, connect 2-pin polarized battery plug.
3. If no arrows are desired, remove backing from adhesive tape on diffuser sheets and place back in position. If arrows are desired, remove clips holding diffuser, support housing on wooden blocks and knock out desired chevrons from inside. Remove backing from adhesive tape on diffuser sheet and place back in position.
4. Knock out two 5/8" dia. KOs in sign housing as required for Top or End mount. Mount canopy plate, insert #8-32 x 1/2" screw through housing as shown and tighten nut to lock canopy in place.
5. Route LED plug through large hole in canopy. Insert Push to Test button through housing, line up slots in LED bracket and lock in place with two #8-32 screws provided.
6. Connect LED plug to matching connector from power supply, insert excess wiring into center cavity and secure sign assembly with two #8-32 color- matched screws supplied.
7. Apply AC power and check operation of Green LED power indicator and test switch for battery back models.

Rapier Diecast LED

Wiring Diagrams & Instructions Series RPR



Wiring

1. This equipment to be connected to an unswitched circuit only.
2. For exits with Master- Remote or Self- Diagnostics, refer to supplementary data sheet for wiring diagrams and additional instructions.
3. **CAUTION:** Damage to battery will occur if battery connector is connected to charger board for prolonged period of time without continuous AC power provided.

Inspection and Maintenance

Important Note: Emergency lighting systems should be tested as often as local codes require, or at least monthly, to ascertain that all components are operational. Allow battery to charge 8 hours before initial testing, and 24 hours to fully charge battery.

1. **Normal Operation:** When unit is functioning properly, with AC power supplied, the "Ready" light and exit lamp will be on.
2. **To Test:** Press manual test switch. "Ready" light will turn off and exit lamp will remain on in DC mode.

Note: Turn off AC power and disconnect battery before servicing unit.

Battery Replacement

Remove fixture from J-Box. Locate battery wiring and disconnect 2-pin polarized battery plug. Pry battery out of cavity to release hook and loop fastener. Replace battery, reconnect battery plug and replace fixture.

Power Module Replacement

Remove fixture from J-Box. Remove two #8-32 screws to J-Box and remove Power Module Assembly from J-Box. Disconnect wire nuts or push nut connectors to AC line inputs. To replace with new Power Module, reverse this sequence.

REV 07.07.2



Signtex Inc
LIGHTING

220 VFW Avenue, Grasonville, MD 21638

TEL: (410) 827-8300 Fax: (410) 827-8866

sales@signtexinc.com www.signtexinc.com