

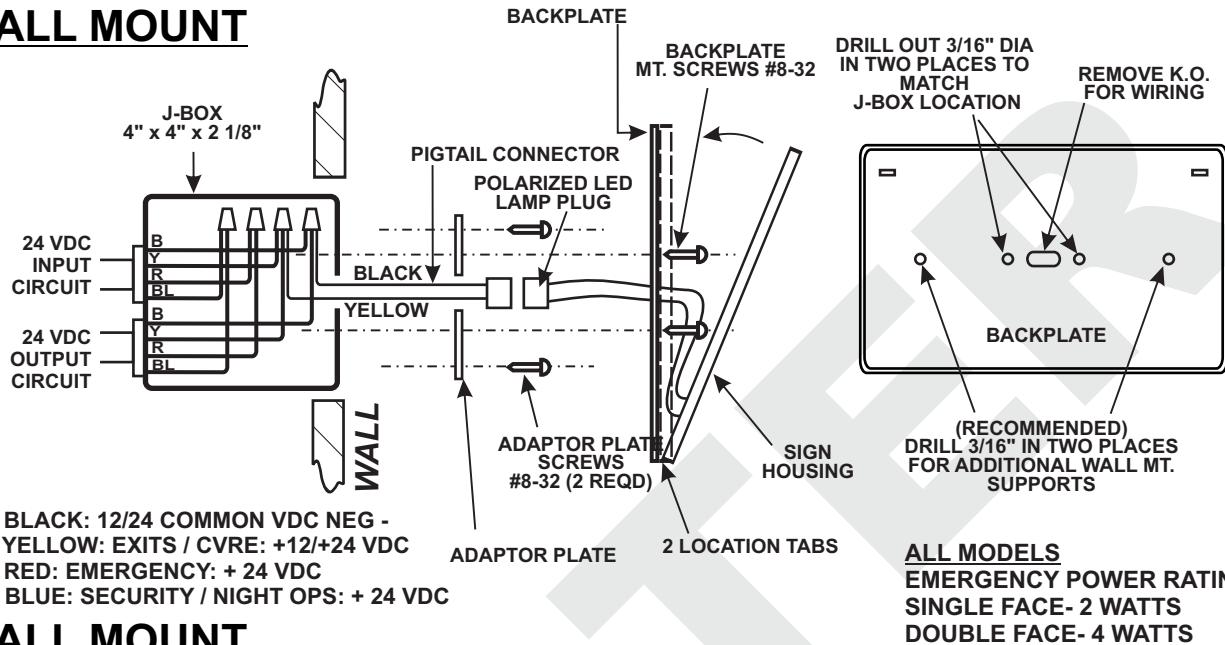
Rapier Remote Diecast LED Series RPRREC

for Universal Central Battery System Series CBS

REV 02.17.07

INSTALLATION INSTRUCTIONS AND OWNER'S MANUAL

WALL MOUNT



1. See wiring diagram above. Strip and connect 24VDC input/output circuit wiring as shown, connecting the BLACK and YELLOW leads from the pigtail connector supplied. Route connector through adaptor plate and attach plate to J-Box with two #8-32 screws.
2. Remove back cover from sign assembly by inserting a pin (small screwdriver or allen key) into 2 release holes in top edge, press down to release clips, hinge cover away from housing, and move down to release two location tabs on lower edge.
3. Remove center oval knock-out in Back Cover. Drill 3/16" dia holes at locations to match U-nuts on adaptor plate. For additional support (recommended), drill out 2 additional 3/16" dia holes at left and right sides on center. Locate back cover in position on wall and mark support holes; install wall anchors for support screws if required.
4. If arrows are required, remove two lens clips in upper corners of sign assembly and loosen two #8 flat-head screws on lower bracket. Lift out lens to access chevron arrow knockouts. Place housing face down on RAISED SCRATCH FREE SURFACE and knock chevrons out with punch and light hammer. Slide lens under lower bracket and replace crews and clips.
5. Run LED lamp plug and wiring through hole in back cover. Attach base to J-box and wall. Connect LED lamp plug and route plug assembly through adaptor plate into J-Box. Insert 2 tabs on base of sign housing into slots in base of back cover. Insert excess wire into j-box cavity. 6. Hinge sign assembly into position and snap closed.

If removal is required, repeat step 3.

IMPORTANT SAFEGUARDS READ AND FOLLOW ALL SAFETY INSTRUCTIONS

1. Disconnect AC power before servicing.
2. Refer to wiring diagram for proper connections.
3. All servicing should be performed by qualified personnel.
4. Consult your local building code for approved wiring and installation.
5. Do not use outdoors.
6. Do not use this equipment for other than intended use.
7. Do not let power cords touch hot surfaces.
8. Mount and secure the fixture at a location and height to avoid ready access and tampering by unauthorized persons.
9. The use of accessory equipment is not recommended by the manufacturer and may cause an unsafe condition.

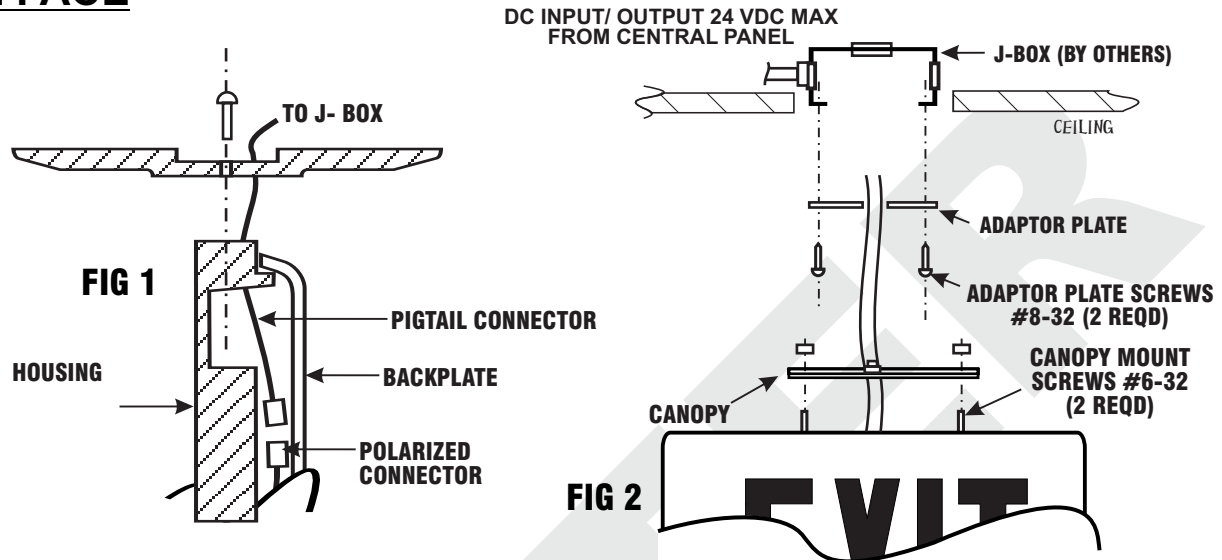
SAVE THESE INSTRUCTIONS

Rapier Remote Diecast LED Top or End Mount Installation

for Universal Central Battery System Series CBS Series RPRREC

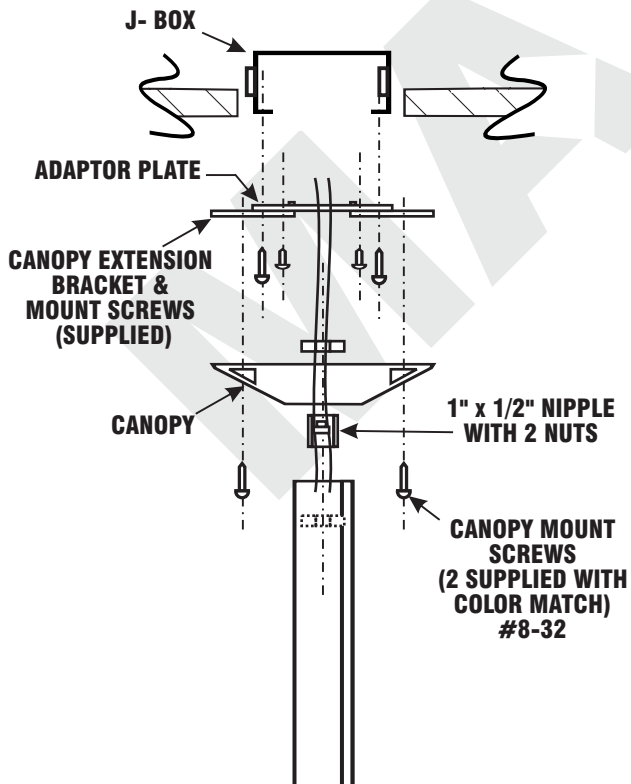
REV 02.17.07

TOP MOUNT SINGLE FACE



1. Follow WALL MOUNT steps 1-2.
2. Secure single face Canopy Plate to sign with 2 #8-32 screws supplied. For double-face, secure canopy to sign with 1/2" nipple connector and nuts.
3. Run pigtail connector through Canopy plate, raise sign to j-box, insert excess wiring and plug into center cavity and secure sign assembly with 2 #8-32 color-matched screws supplied.

TOP MOUNT DOUBLE FACE



1. Follow Wall Mount steps 1-2.

NOTE: Check required orientation for sign and Canopy, and assemble 2 extension brackets on J-box adaptor plate with 2 #8-32 x 3/8" screws supplied.

2. If no arrows are desired, remove backing from adhesive tape on diffuser sheets and place back in position. If arrows are desired, remove clips holding diffuser, support housing on wooden blocks and knock out desired chevrons from inside. Remove backing from adhesive tape on diffuser sheet and place back in position.

3. Knock out two 3/4" KOs in sign as required for Top or End mount, run LED lamp plug through large hole in canopy and secure canopy to sign housing with 1" x 1/2" nipple and nuts:

NOTE: position canopy with arrow mark facing hinged face side.

4. Raise sign to J- box, connect LED wiring, and secure canopy to adaptor plate with two #8-32 color matched screws supplied.



Sigtex Inc
LIGHTING

220 VFW Avenue, Grasonville, MD 21638
TEL: (410) 827-8300 Fax: (410) 827-8866
sales@sigtexinc.com www.sigtexinc.com