

# INSTALLATION INSTRUCTIONS AND OWNER'S MANUAL

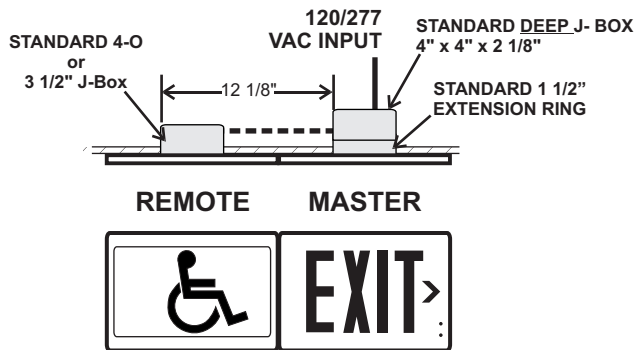
## Rapier Accessible Exit Master Remote System

Series RAENB

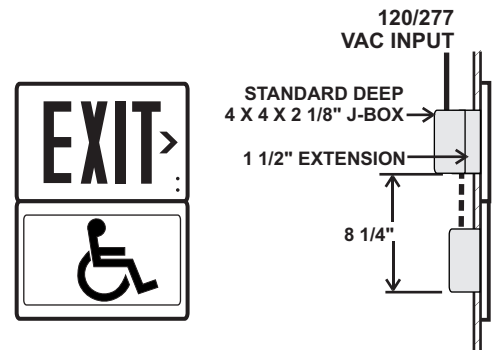
REV 04.12.03

### Fig. 1

#### HORIZONTAL MOUNT SINGLE FACE

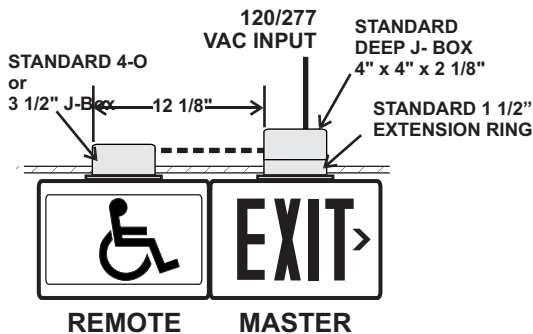


#### VERTICAL MOUNT SINGLE FACE



----- CLASS 2 LOW VOLTAGE WIRING 18-22 AWG

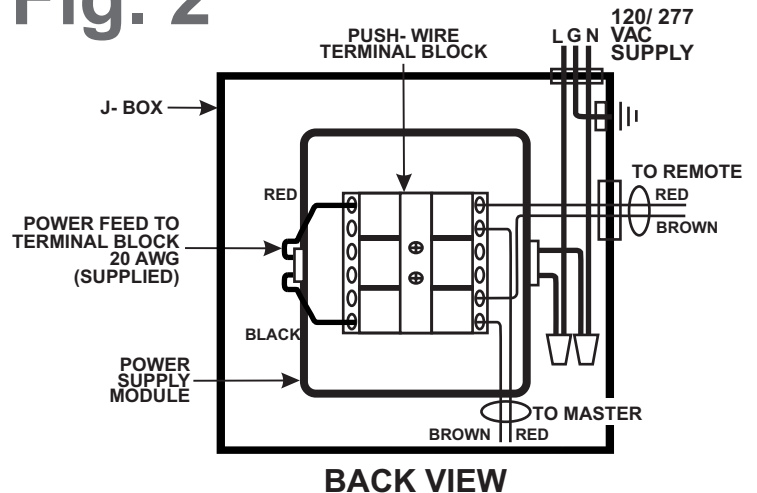
#### DOUBLE FACE



----- CLASS 2 LOW VOLTAGE WIRING 18-22 AWG

### Fig. 2

#### MASTER SIGN POWER SUPPLY ASSEMBLY



#### BACK VIEW

### J-BOX INSTALLATION

1. See Fig 1: Install a 4" x 4" x 2 1/8" J-box with 1 1/2" extension for Master sign and a 3 1/2" x 3 1/2" x 1 1/2" J-box (4-0) for Remote sign. Position J-boxes approx 1/4" below finished panel surface and set in line, 12 1/8" apart for horizontal mount, and 8 1/4" apart for vertical mount. NOTE- Location of J- boxes must be accurate to position the two signs correctly.
2. See Fig 2: Attach low voltage output wiring to Terminal Block mounted on Master power supply assembly (some fixtures may be shipped with wiring in place). Maintain color codes and polarities as shown.
3. Connect AC input wiring 120/277 VAC to power supply in Master J-box with standard wire nuts and attach Ground wire to J-box.

### IMPORTANT SAFEGUARDS READ AND FOLLOW ALL SAFETY INSTRUCTIONS

1. Disconnect AC power before servicing.
2. Refer to wiring diagram for proper connections.
3. All servicing should be performed by qualified personnel.
4. Consult your local building code for approved wiring and installation.
5. Do not use outdoors.
6. Do not use this equipment for other than intended use.
7. Do not let power cords touch hot surfaces.
8. Mount and secure the fixture at a location and height to avoid ready access and tampering by unauthorized persons.
9. The use of accessory equipment is not recommended by the manufacturer and may cause an unsafe condition.

### SAVE THESE INSTRUCTIONS

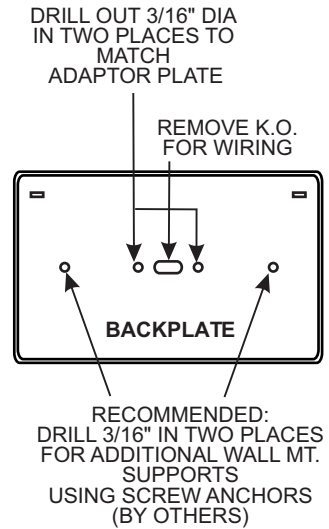
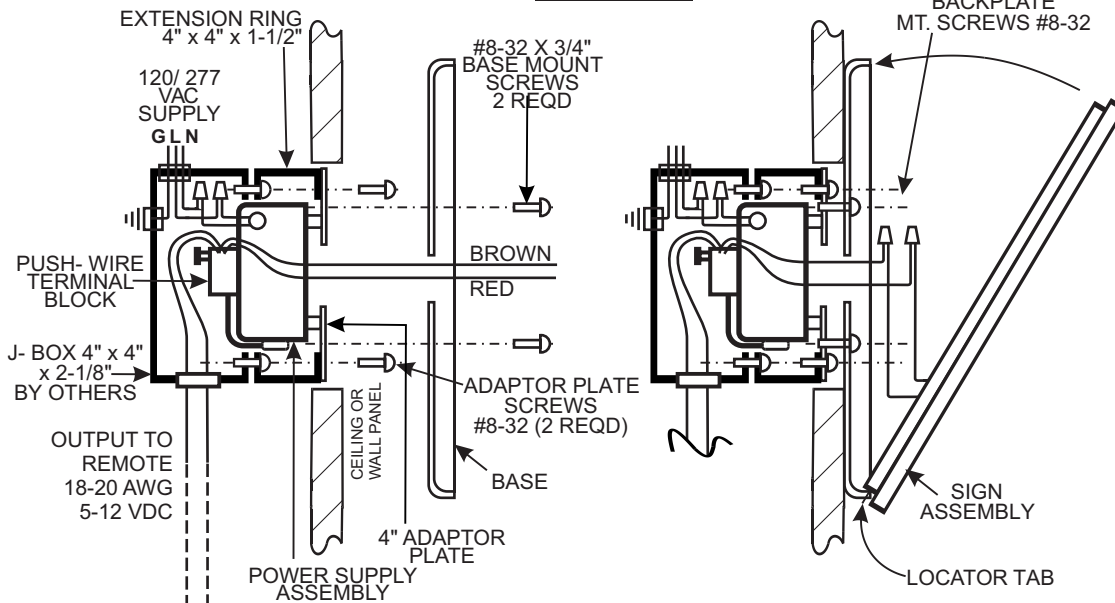
# INSTALLATION INSTRUCTIONS AND OWNER'S MANUAL

## Rapier Accessible Exit Master Remote System Single Face Wall Mount

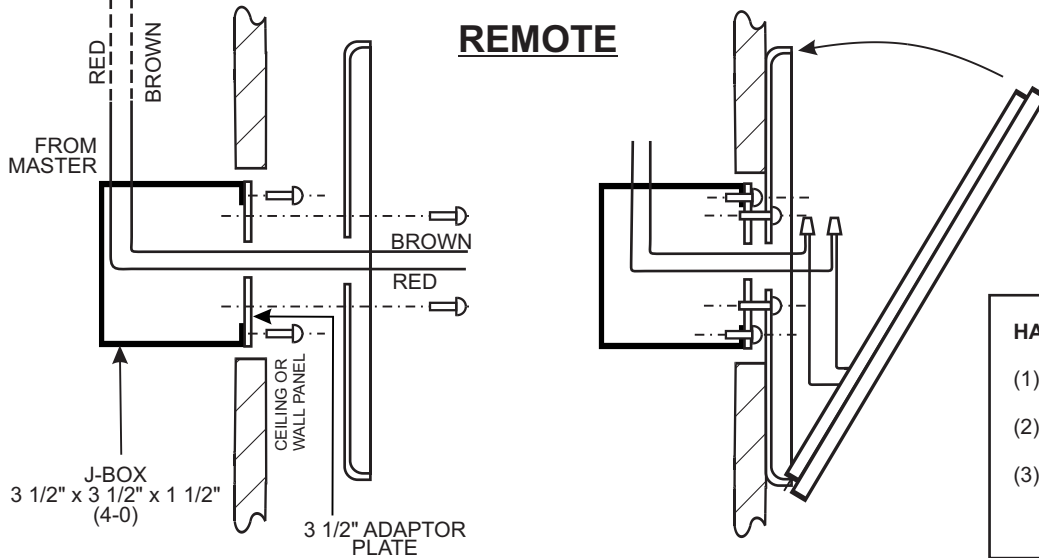
Series RAENB

REV 04.12.03

### MASTER



### REMOTE



#### HARDWARE KIT SUPPLIED

- (1) 3 1/2" ADAPTOR PLATE for Remote Sign
- (2) Four #8-32 x 3/4" Machine Screws
- (3) Wiring #22 AWG RED and BROWN: One set 18": One set 8"

### SIGN INSTALLATION

1. Remove Base from Master and Remote signs and knock out or drill center wire access hole, and two holes 3/16" dia to match Adaptor Plate in J-box. It is recommended to drill two additional holes 3/16" dia for additional support using screw anchors in wall surface.
2. Route RED and BROWN LED wiring through center hole of Base and attach to J-box adaptor plate with two #8-32 screws supplied- do not over-tighten. Install optional screws as shown.
3. If arrows are required, remove two lens clips in upper corners of sign assembly and loosen two #8 flat-head screws on lower bracket. Lift out lens to access chevron arrow knockouts. Place housing face down on RAISED SCRATCH FREE SURFACE and knock chevrons out with punch and light hammer. Slide lens under lower bracket and replace crews and clips.
4. Raise sign assembly into position and insert two locator tabs on base of sign into slots provided in Base. With sign in open position, connect RED and BROWN leads together with wire nuts provided: MAINTAIN COLOR CODES.
5. Insert wire nuts into J-box cavity, ensure wiring is clear of sign housing, hinge faceplate into position and snap closed.
6. Turn on AC power to check lamp operation on Master and Remote.

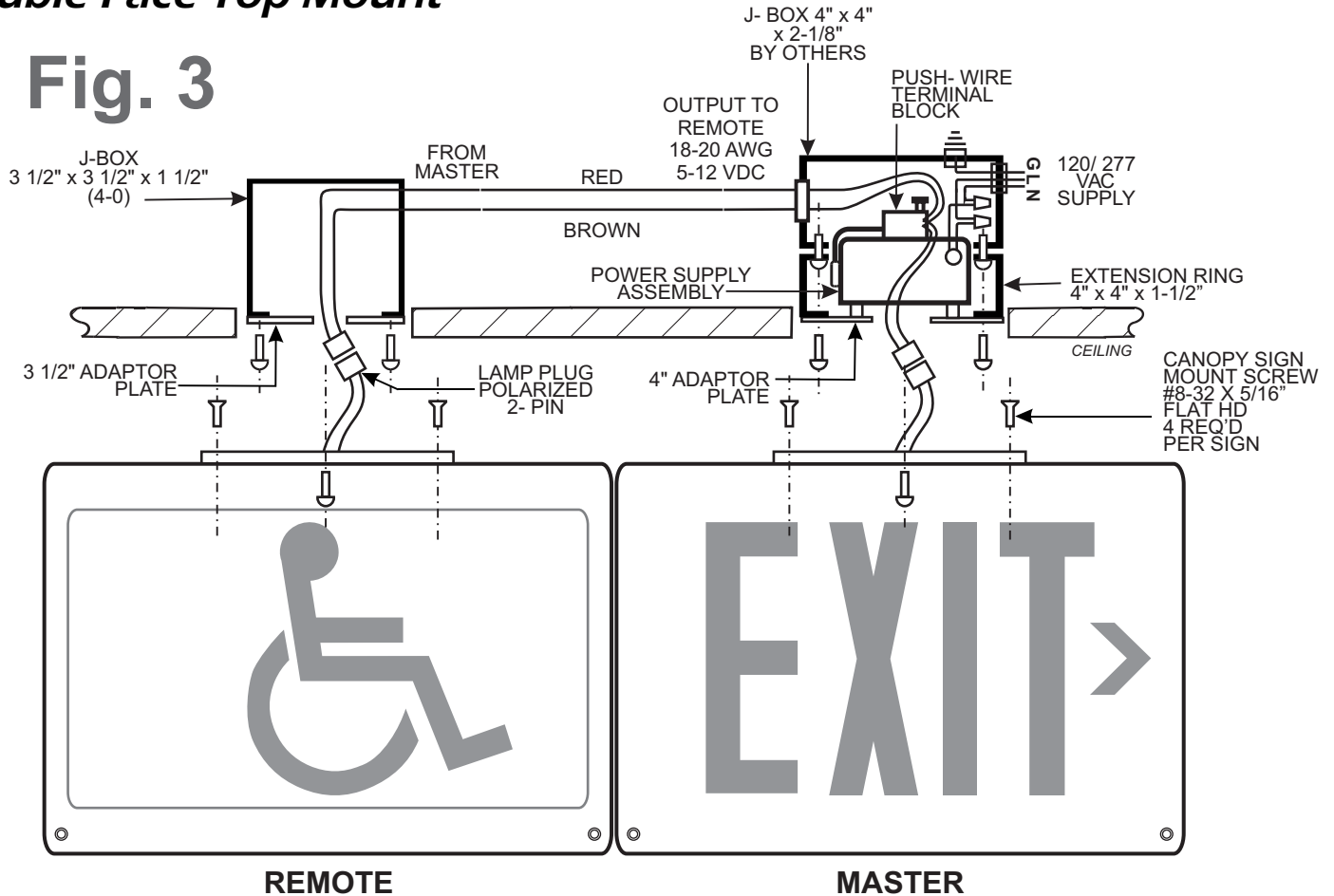
# INSTALLATION INSTRUCTIONS AND OWNER'S MANUAL

## Rapier Accessible Exit Master Remote System Double Face Top Mount

Series RAENB2

REV 04.12.03

**Fig. 3**



### SIGN INSTALLATION

1. Route low voltage output wires to Remote J-box and install power supply in Master J-box with (2) #8-32 screws supplied.
2. Attach Canopy to housing of Master and Remote signs. with (4) #8-32 x 7/8" screws provided. Route lamp wiring through center hole in Canopy Plate and secure Canopy to housing with (2) #8-32 x 5/16" Flat Head screws supplied.
3. Raise sign assembly into position, maintain color codes and connect RED and BROWN lamp wiring with 2-pin connectors provided.
4. Insert wire nuts into J-box cavity, and secure sign assembly in position with two color matched #8-32 x 3/4" screws through Canopy Plate into Adaptor Plate as shown.
5. Turn on AC power to check lamp operation on Master and Remote.

