

INSTALLATION INSTRUCTIONS AND OWNER'S MANUAL

See standard model instruction manual for other details

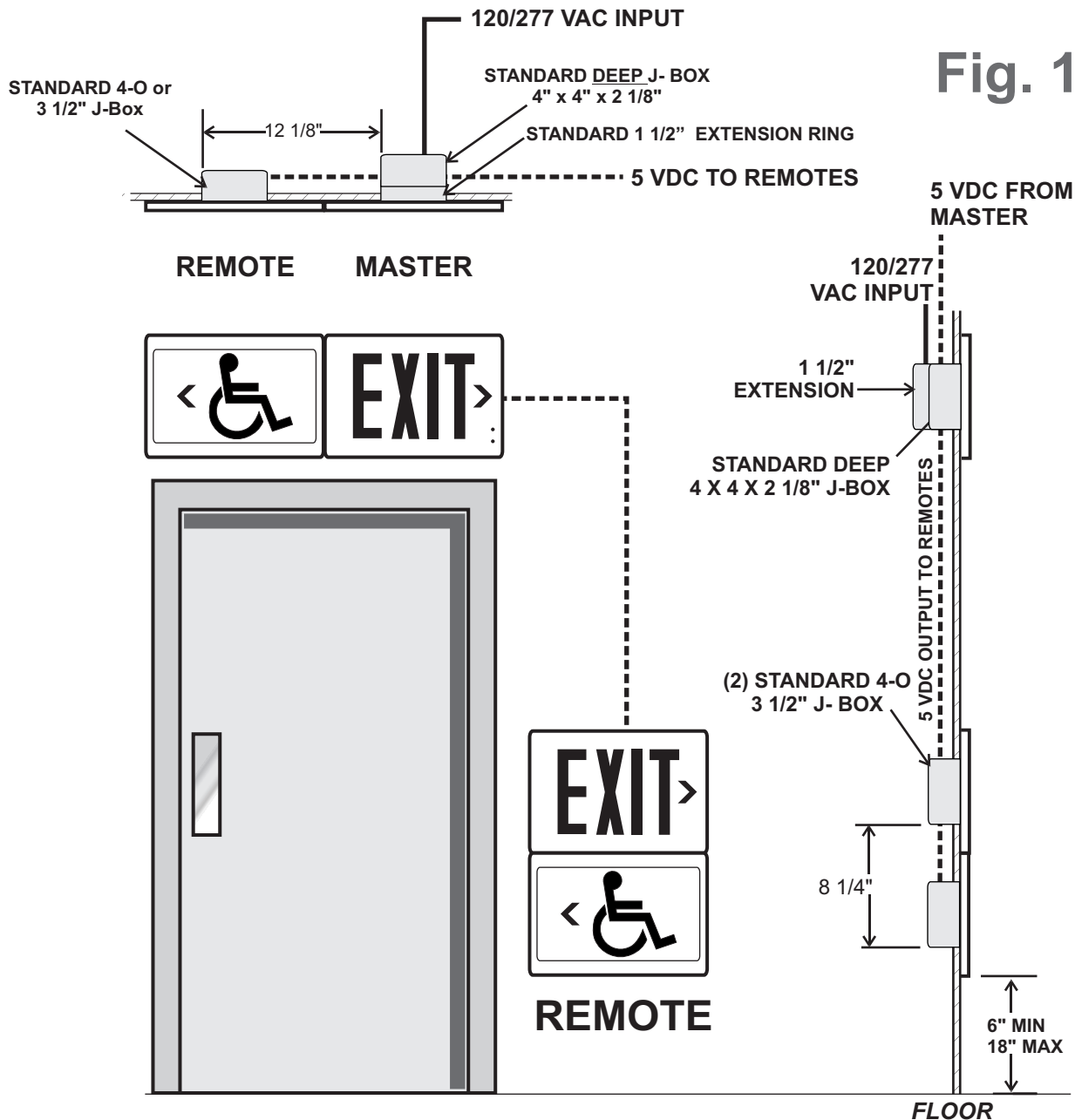
Rapier Accessible Exit Master Remote System with Floor Proximity Signs

Series RAEFP
REV 01.12.03

IMPORTANT SAFEGUARDS READ AND FOLLOW ALL SAFETY INSTRUCTIONS

1. Disconnect AC power before servicing.
2. Refer to wiring diagram for proper connections.
3. All servicing should be performed by qualified personnel.
4. Consult your local building code for approved wiring and installation.
5. Do not use outdoors.
6. Do not use this equipment for other than intended use.
7. Do not let power cords touch hot surfaces.
8. Mount and secure the fixture at a location and height to avoid ready access and tampering by unauthorized persons.
9. The use of accessory equipment is not recommended by the manufacturer and may cause an unsafe condition.

SAVE THESE INSTRUCTIONS



----- CLASS 2 WIRING 18-22 AWG BY OTHERS
BATTERY BACKUP: THREE WIRES: BLACK, RED, WHITE
NO BATTERY: TWO WIRES: BLACK, WHITE

INSTALLATION INSTRUCTIONS AND OWNER'S MANUAL

See standard model instruction manual for other details

Rapier Accessible Exit Master Remote System with Floor Proximity Signs

Series RAEFP
REV 01.12.03

MASTER SIGN

1. See Fig. 1. Install one 4" x 4" x 2-1/8" J-box with 1 1/2" Extension as shown. For REMOTES install (3) 4-O (3 1/2") J-Boxes as shown.

2. Run low voltage wiring from Master to Remotes as required Class 2, 18 - 22 AWG.

2- wire for non-emergency fixtures
3- wire for battery backup fixtures.

3. See Figs 2 and 3. Push-wire terminal blocks supplied will accept 18-22 AWG solid core conductor. Trim wires and strip 3/8" to insert into terminal block. **NOTE: COLOR CODING MUST BE MAINTAINED FROM MASTER TO REMOTES.**

4. Connect AC line supply with wire nuts or connectors supplied:

BLACK: 120/277 VAC

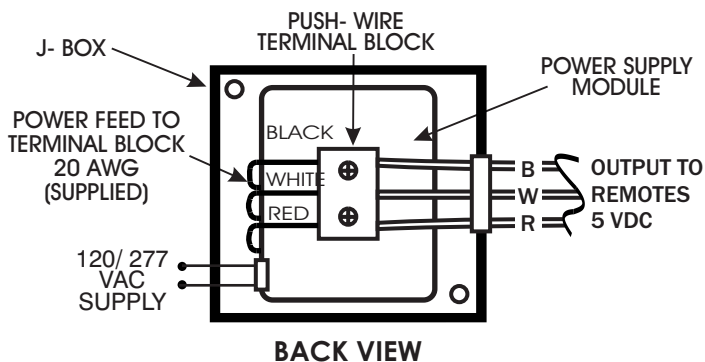
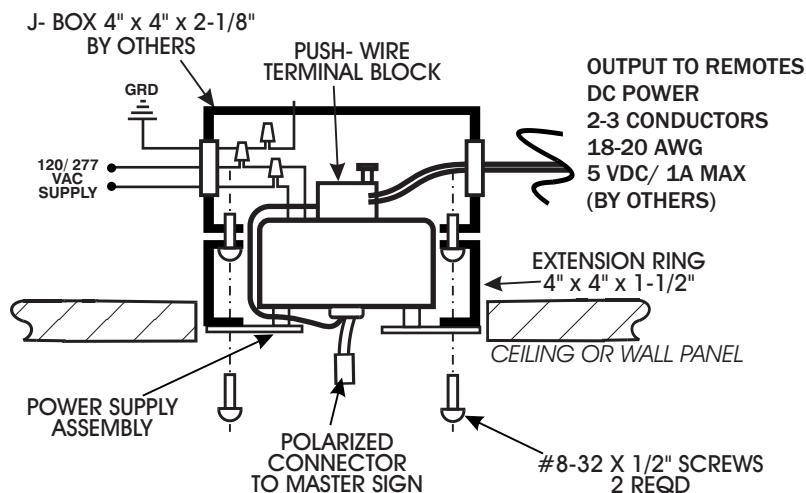
WHITE: Common

Connect Remote wiring into push-in terminal block.

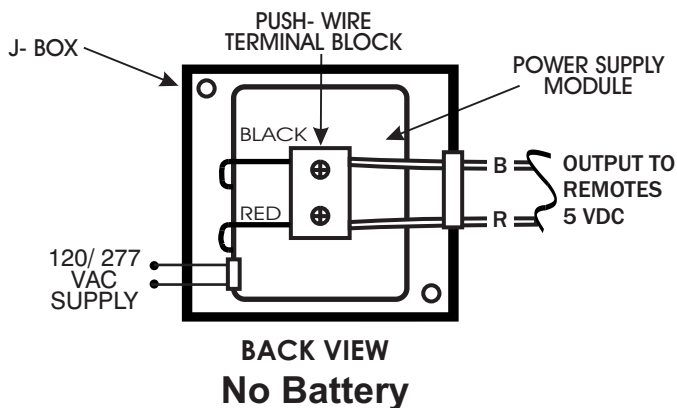
5. Route wire nuts to side of J-Box and insert power supply assembly into box, and secure with two #8-32 screws.

NOTE: POWER SUPPLY ASSEMBLY IS UNIVERSAL MOUNT, ROTATE AS REQUIRED TO CLEAR CONNECTORS IN J- BOX.

Fig. 2



Battery Backup



No Battery

INSTALLATION INSTRUCTIONS AND OWNER'S MANUAL

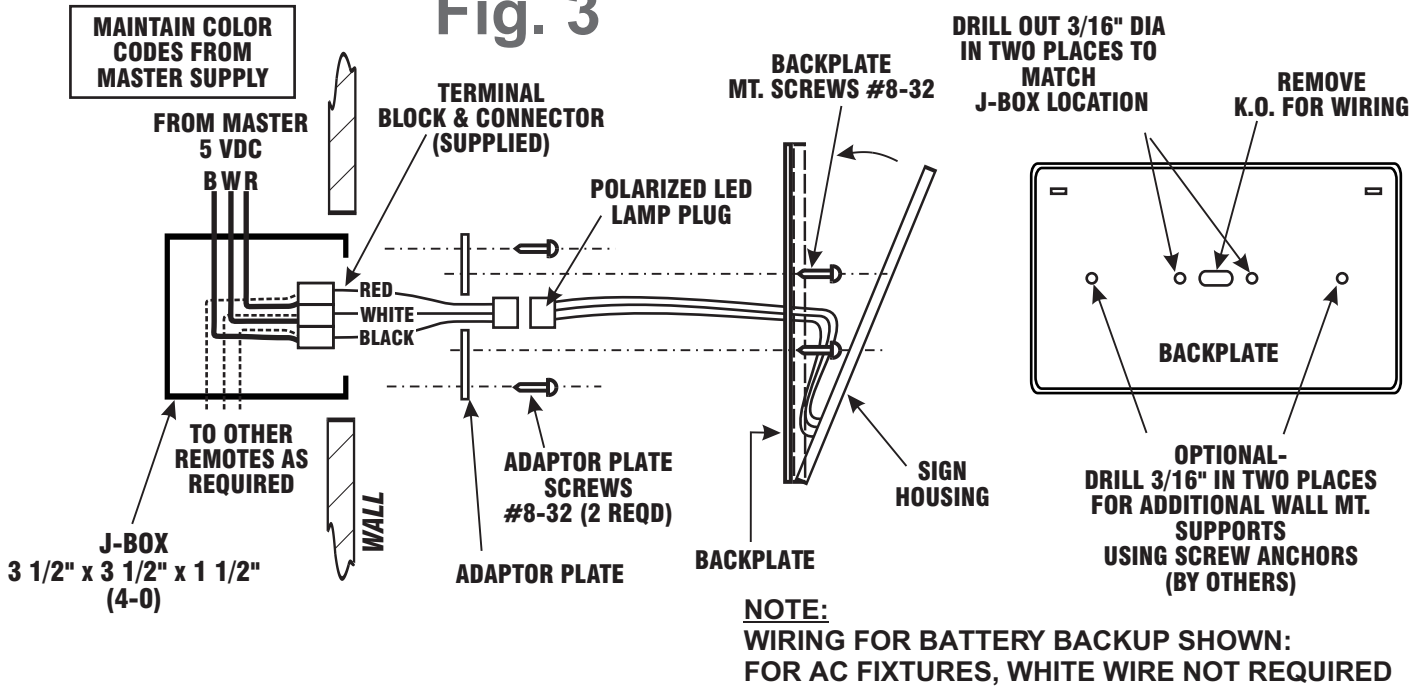
See standard model instruction manual for other details

Rapier Accessible Exit Master Remote System with Floor Proximity Signs

Series RAEFP
REV 01.12.03

REMOTE SIGNS

Fig. 3



1. Install J-Box 1/8"-1/4" below finished panel surface.
2. See Fig. 3. Insert DC wiring into Terminal Block supplied. Maintain color coding from DC supply to Remote Fixtures.

RED:	POSITIVE	+ 5 VDC MAX
WHITE:	BATT.	2.4 TO 3.6 VDC (NOT REQUIRED FOR NO BATTERY FIXTURES)
BLACK:	NEG.	-5 VDC MAX
3. Run LED Polarized Plug through Adaptor Plate center hole and attach plate to J-Box with 2 # 8-32 screws.
4. Remove back plate from sign assembly by inserting pin (small screwdriver or allen key) into 2 release holes in top edge, press down to release clips and hinge cover away from housing. Support backplate on raised flat surface and knock out oval opening in center.
5. Drill 3/16" dia holes at locations noted above. For additional support drill out 2 additional 3/16" dia holes at left and right sides on center. Locate back plate in position on wall and mark support holes; install wall anchors for support screws.
6. Run LED lamp plug through backplate. Attach backplate to J-box with 2 #8-32 screws supplied. Install and tighten 2 support screws. DO NOT OVERTIGHTEN.

WITH AC ON, CHECK MINIMUM VOLTAGE AT REMOTE LOCATION FURTHEST FROM MASTER SUPPLY:

RED ILLUMINATION: 3.0 VDC MIN
GREEN ILLUMINATION: 4.3 VDC MIN

7. Insert 2 tabs on base of sign assembly into slots in base of back cover. Connect LED lamp plug. Hinge sign assembly into position and snap closed.