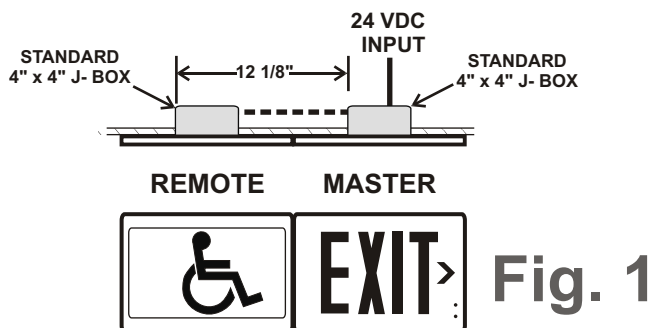


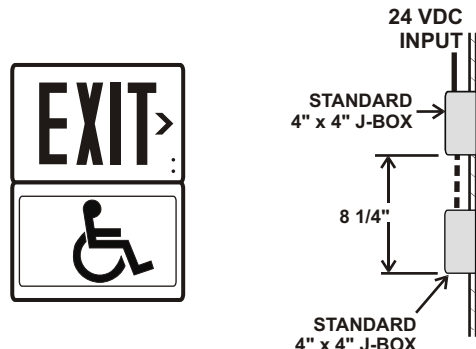
Installation Instructions & Users Manual

HORIZONTAL MOUNT SINGLE FACE

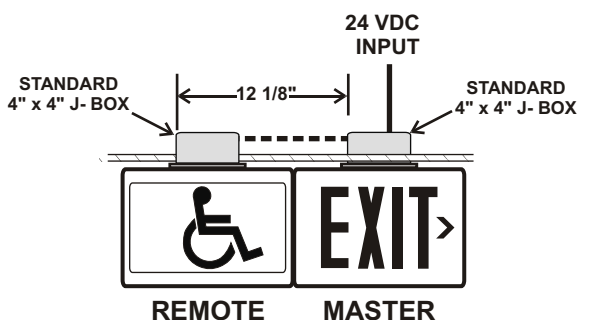


----- CLASS 2 LOW VOLTAGE WIRING 18-22 AWG

VERTICAL MOUNT SINGLE FACE



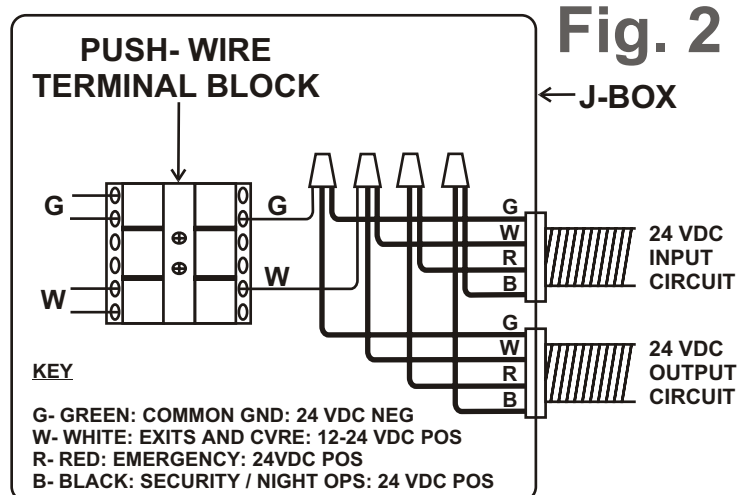
DOUBLE FACE



----- CLASS 2 LOW VOLTAGE WIRING 18-22 AWG

ALL MODELS
EMERGENCY POWER RATING (EPR):
SINGLE FACE- 4 WATTS
DOUBLE FACE- 8 WATTS

MASTER SIGN ASSEMBLY



J-BOX INSTALLATION

- See Fig 1: Install a 4" x 4" J-box for Master sign and a 4" x 4" J-box for Remote sign. Position J-boxes approx 1/4" below finished panel surface and set in line, 12 1/8" apart for horizontal mount, and 8 1/4" apart for vertical mount. NOTE- Location of J- boxes must be accurate to position the two signs correctly.
- See Fig 2: Attach low voltage input and output wiring to Terminal Block mounted on Master power supply assembly (some fixtures may be shipped with wiring in place). Maintain color codes and polarities as shown.

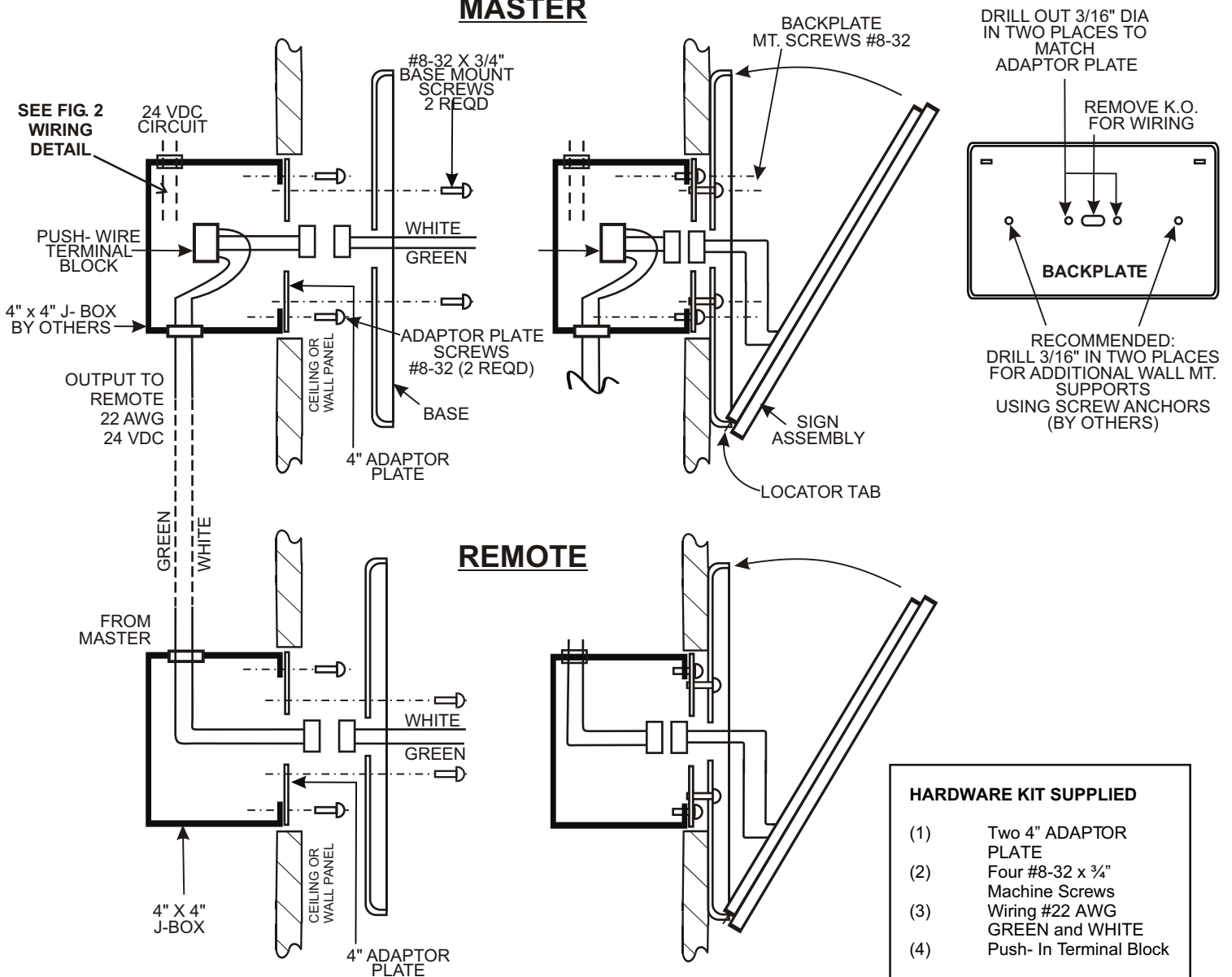
IMPORTANT SAFEGUARDS READ AND FOLLOW ALL SAFETY INSTRUCTIONS

- Disconnect AC power before servicing.
- Refer to wiring diagram for proper connections.
- All servicing should be performed by qualified personnel.
- Consult your local building code for approved wiring and installation.
- Do not use outdoors.
- Do not use this equipment for other than intended use.
- Do not let power cords touch hot surfaces.
- Mount and secure the fixture at a location and height to avoid ready access and tampering by unauthorized persons.
- The use of accessory equipment is not recommended by the manufacturer and may cause an unsafe condition.

SAVE THESE INSTRUCTIONS

Single Face Wall Mount

MASTER

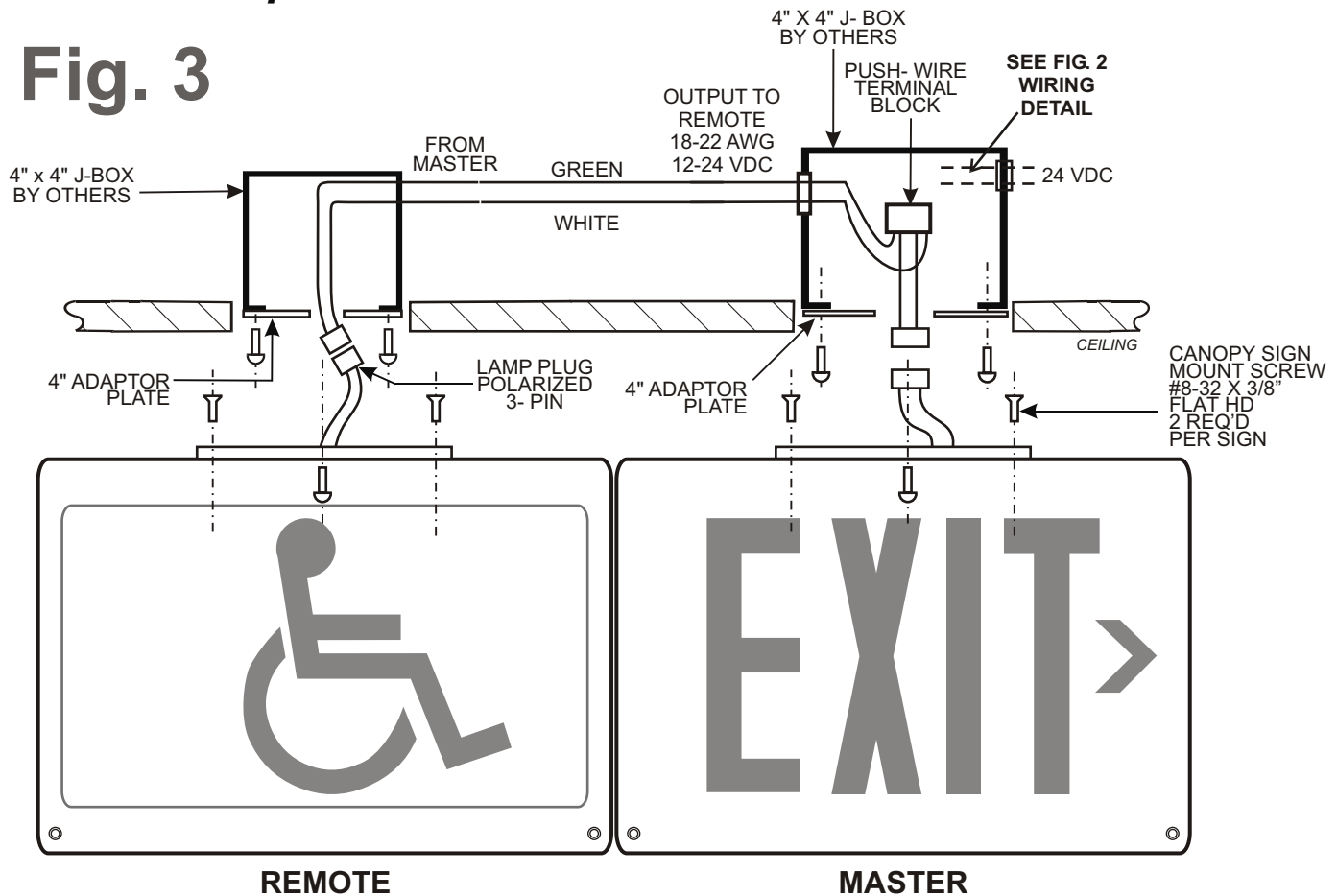


SIGN INSTALLATION

1. Remove Base from Master and Remote signs and knock out or drill center wire access hole, and two holes 3/16" dia to match Adaptor Plate in J-box. It is recommended to drill two additional holes 3/16" dia for additional support using screw anchors in wall surface.
2. Route GREEN and WHITE LED wiring through center hole of Base and attach to J-box adaptor plate with two #8-32 screws supplied- do not over- tighten. Install optional screws as shown.
3. If arrows are required, remove two lens clips in upper corners of sign assembly and loosen two #8 flat-head screws on lower bracket. Lift out lens to access chevron arrow knockouts. Place housing face down on RAISED SCRATCH FREE SURFACE and knock chevrons out with punch and light hammer. Slide lens under lower bracket and replace screws and clips.
4. Raise sign assembly into position and insert two locator tabs on base of sign into slots provided in Base. With sign in open position, connect GREEN and WHITE leads together with lamp plugs provided: MAINTAIN COLOR CODES.
5. Insert lamp plugs wire nuts into J-box cavity, ensure wiring is clear of sign housing, hinge faceplate into position and snap closed.

Double Face Top Mount

Fig. 3



SIGN INSTALLATION

1. Route low voltage output wires to remote J-box and install push-wire terminal block and adaptor plate in Master J-box with (2) #8-32 screws supplied.
2. Route lamp wiring through center hole in Canopy Plate and attach Canopy to housings with (4) #8-32 x 3/8" Flat Head screws supplied.
3. Raise sign assembly into position, maintain color codes and connect GREEN and WHITE lamp wiring with 2-pin connectors provided.
4. Insert lamp plug into J-box cavity, and secure sign assembly in position with two color matched #8-32 x 3/4" screws through Canopy Plate into Adaptor Plate as shown.

