

INSTALLATION INSTRUCTIONS AND OWNER'S MANUAL

ITEM	QTY	P/N	DESCRIPTION
1	1	341005	POWER CONVERTER ASSBY
2	1	231100	HOUSING
3	3	231114	RETAINING CLIP
4	1	231108	WIREWAY OUTLET BOX ASSBY
5	2	341008	TRIM & LED 2- LAMP ASSBY
6	1	341009	TRIM & LED 3- LAMP ASSBY
7	1	595100	LENS

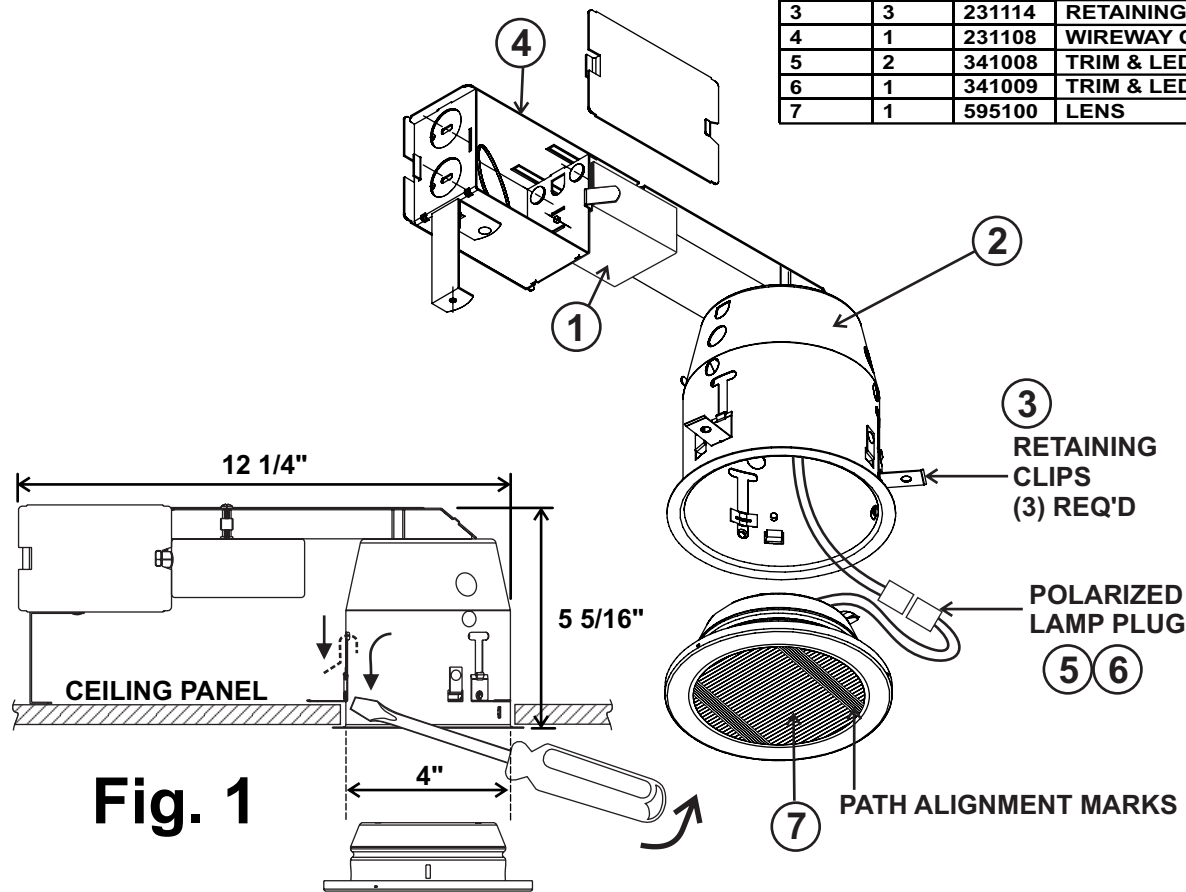


Fig. 1

1. Locate fixture position and drill 4" clearance hole in ceiling tile. See SPACING GUIDE for 1 Foot Candle average illuminance.
2. Route 24DC wiring from central battery system through ceiling hole.
3. See Fig 2 and connect color-matched 24VDC input/output wiring as shown with standard wire nuts. Cap off BLUE wire from power supply if security lighting is not required.
4. If retaining clips are assembled to housing, remove and set aside. Insert fixture assembly through ceiling hole.
5. See Fig. 1. From inside housing, insert the three retaining clips into slots in housing. Use flat blade screwdriver to slide clips down until in contact with top of ceiling panel.
6. Connect polarized lamp plug and insert lamp assembly into housing and snap into place. ROTATE LAMP ASSEMBLY TO LINE UP MARKERS ON LENS WITH PATH OF EGRESS.

IMPORTANT SAFEGUARDS READ AND FOLLOW ALL SAFETY INSTRUCTIONS

1. Disconnect AC power before servicing.
2. Refer to wiring diagram for proper connections.
3. All servicing should be performed by qualified personnel.
4. Consult your local building code for approved wiring and installation.
5. Do not use outdoors.
6. Do not use this equipment for other than intended use.
7. Do not let power cords touch hot surfaces.
8. Mount and secure the fixture at a location and height to avoid ready access and tampering by unauthorized persons.
9. The use of accessory equipment is not recommended by the manufacturer and may cause an unsafe condition.

SAVE THESE INSTRUCTIONS

SUPPLY CIRCUIT WIRING

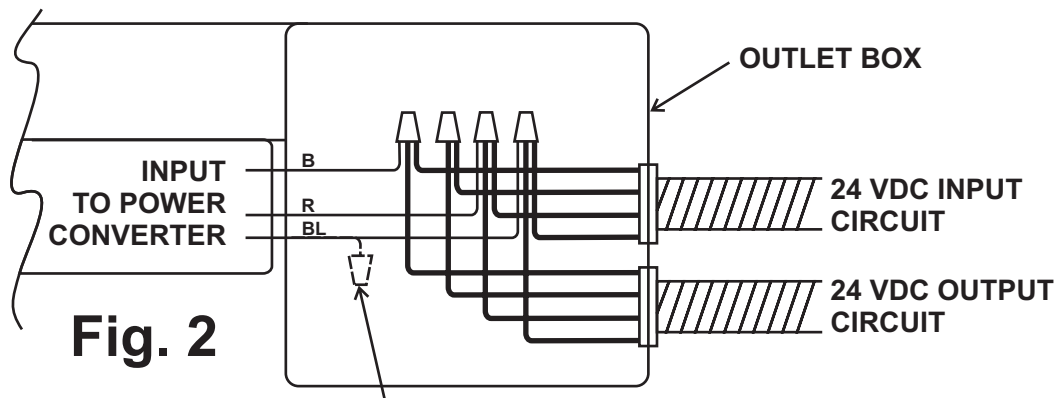


Fig. 2

NOTE: IF SECURITY / NIGHT LIGHTING IS NOT SUPPLIED OR REQUIRED, CAP OFF BLUE LEAD TO POWER CONVERTER

KEY

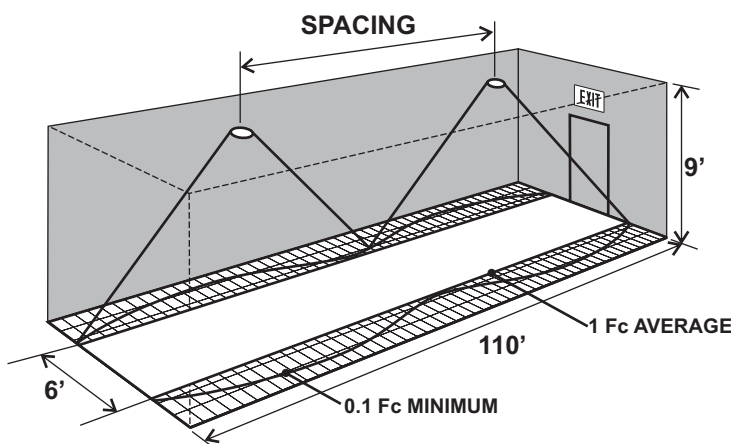
- B BLACK: COMMON: 12/24 VDC NEG -**
- Y YELLOW: EXITS/CVRE: 12/24 VDC POS +**
- R RED: EMERGENCY: 24VDC POS +**
- BL BLUE: SECURITY/ NIGHT LIGHTING: 24 VDC POS +**

SPACING GUIDE Average Illuminance 1 Fc

Model	Mtg. Ht.	Path of Egress Width		
		3 Ft.	6 Ft.	10 Ft.
MRD15L3	9'	55'	50'	40'

NOTE: FOR REFERENCE ONLY. STANDARD REFLECTANCES 80/50/20. SIGNTEX IS NOT RESPONSIBLE FOR SPECIFIC CONDITIONS THAT MAY ALTER THE RESULTS. COMPLETE IES PHOTOMETRIC DATA AVAILABLE AT WWW.SIGNTEXINC.COM FOR YOUR CONVENIENCE.

CONTACT SIGNTEX FOR LAYOUT ASSISTANCE
 Code Compliant Emergency lighting layouts provided free of charge!



Signtex Inc
LIGHTING
 220 VFW Avenue, Grasonville, MD 21638
 TEL: (410) 827-8300 Fax: (410) 827-8866
 sales@signtexinc.com www.signtexinc.com