

MOONLITE™ Recessed LED Emergency Down Light For Remodel Work

Series MRD-AC

REV 04.17.01

INSTALLATION INSTRUCTIONS AND OWNER'S MANUAL

ITEM	QTY	P/N	DESCRIPTION
1	1	341004	POWER CONVERTER ASSBY
2	1	231100	HOUSING
3	3	231114	RETAINING CLIP
4	1	231108	WIREWAY OUTLET BOX ASSBY
5	2	341006	TRIM & LED 2- LAMP ASSBY
6	1	341007	TRIM & LED 3- LAMP ASSBY
7	1	595100	LENS
8	1	206108	NICD BATT. ASSBY. 3.6V
9	1	206109	NICD BATT. ASSBY. 4.8V
10	1		LAMP HSG. ASSBY. BB2L
11	1		LAMP HSG. ASSBY. BB3L

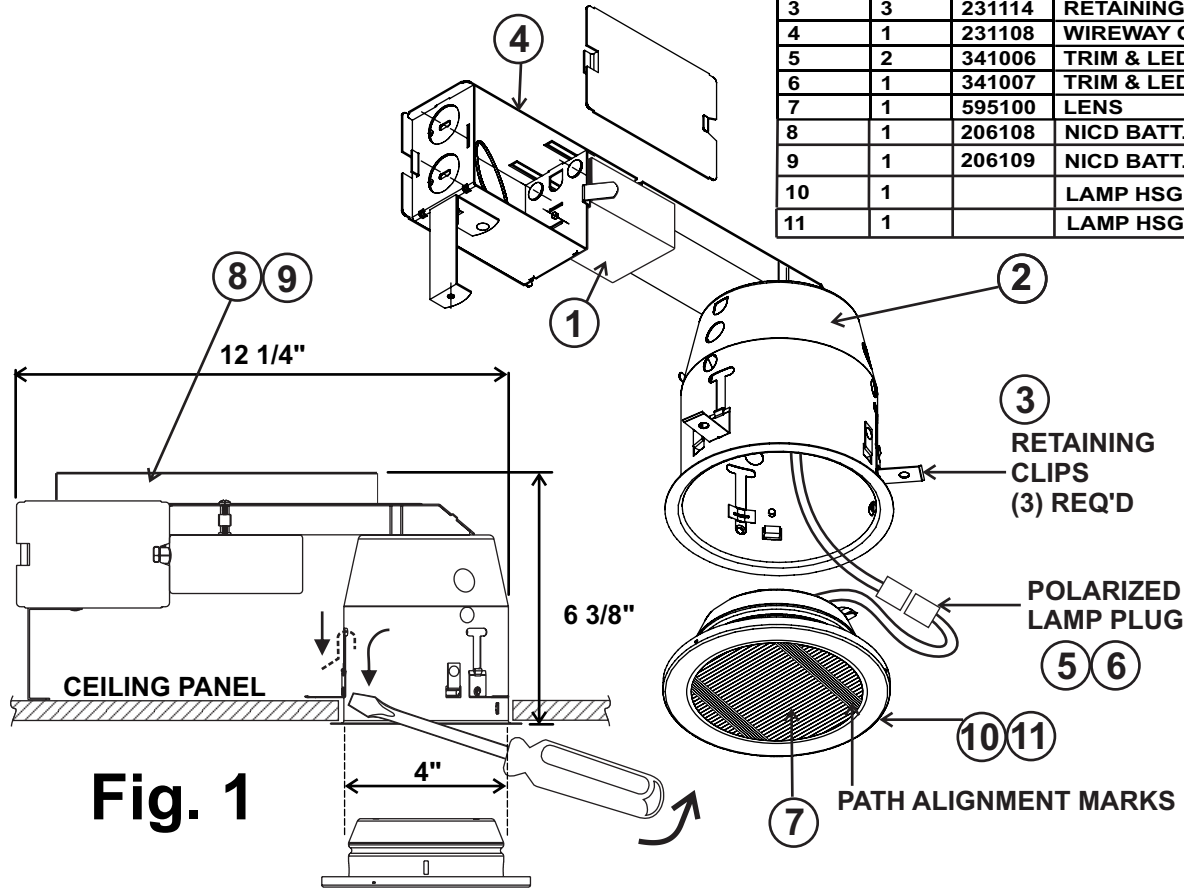


Fig. 1

1. Locate fixture position and drill 4" clearance hole in ceiling tile. See SPACING GUIDE for 1 Foot Candle average illuminance.
 2. Route 120 VAC wiring through ceiling hole. Run supply wiring to outlet box and make connection from AC building supply. BROWN: LINE 120 VAC. BLUE: NEUTRAL.
 3. If retaining clips are assembled to housing, remove and set aside. Insert fixture assembly through ceiling hole.
 4. See Fig. 1. From inside housing, insert the three retaining clips into slots in housing. Use flat blade screwdriver to slide clips down until in contact with top of ceiling panel.
 5. Connect polarized lamp plug and insert lamp assembly into housing and snap into place. ROTATE LAMP ASSEMBLY TO LINE UP MARKERS ON LENS WITH PATH OF EGRESS.
- NOTE - LAMPS WILL TURN ON UNTIL AC POWER IS APPLIED.
6. Apply AC power and check lamps turn OFF. Operate PUSH TO TEST for lamp operation.

IMPORTANT SAFEGUARDS READ AND FOLLOW ALL SAFETY INSTRUCTIONS

1. Disconnect AC power before servicing.
2. Refer to wiring diagram for proper connections.
3. All servicing should be performed by qualified personnel.
4. Consult your local building code for approved wiring and installation.
5. Do not use outdoors.
6. Do not use this equipment for other than intended use.
7. Do not let power cords touch hot surfaces.
8. Mount and secure the fixture at a location and height to avoid ready access and tampering by unauthorized persons.
9. The use of accessory equipment is not recommended by the manufacturer and may cause an unsafe condition.

SAVE THESE INSTRUCTIONS