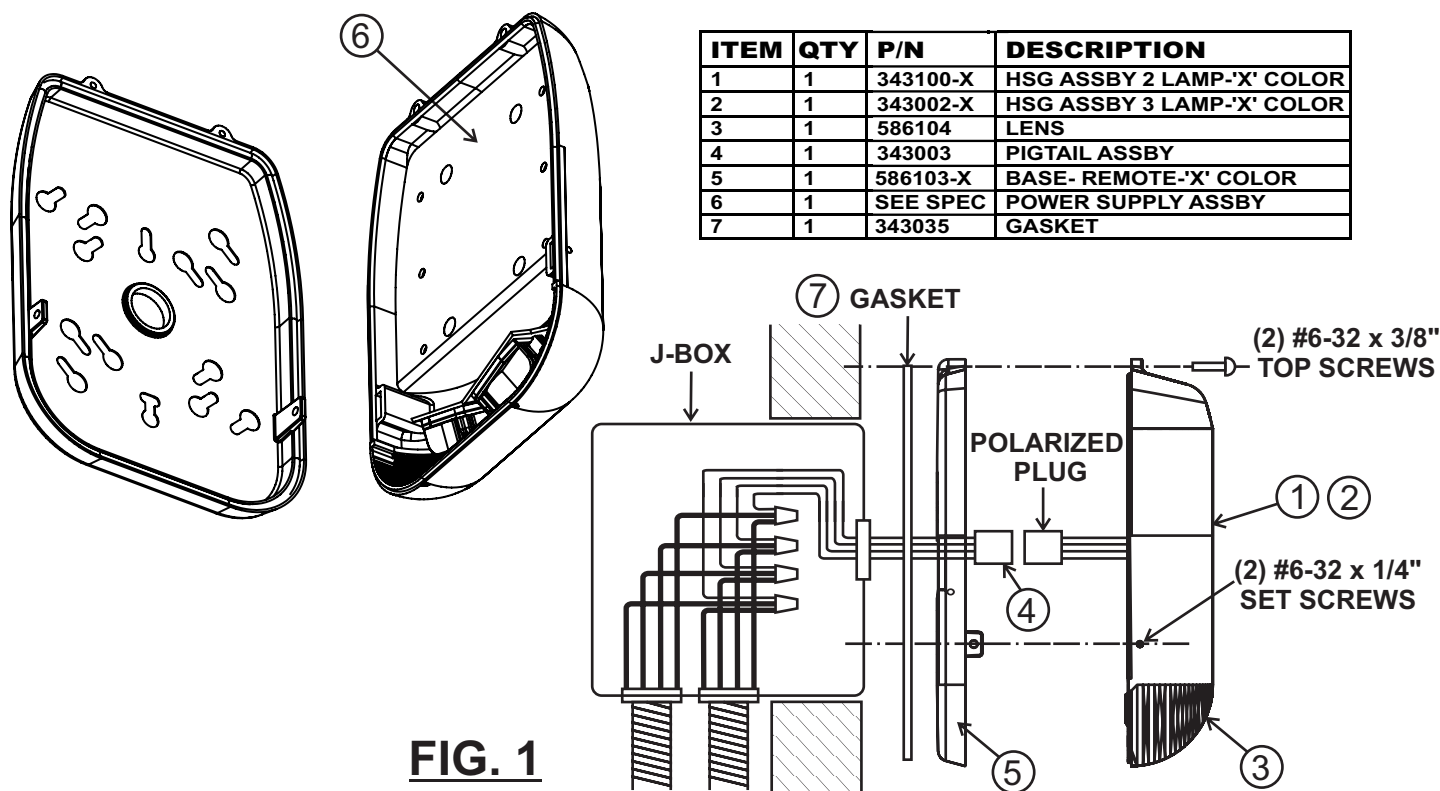


# INSTALLATION INSTRUCTIONS AND OWNER'S MANUAL



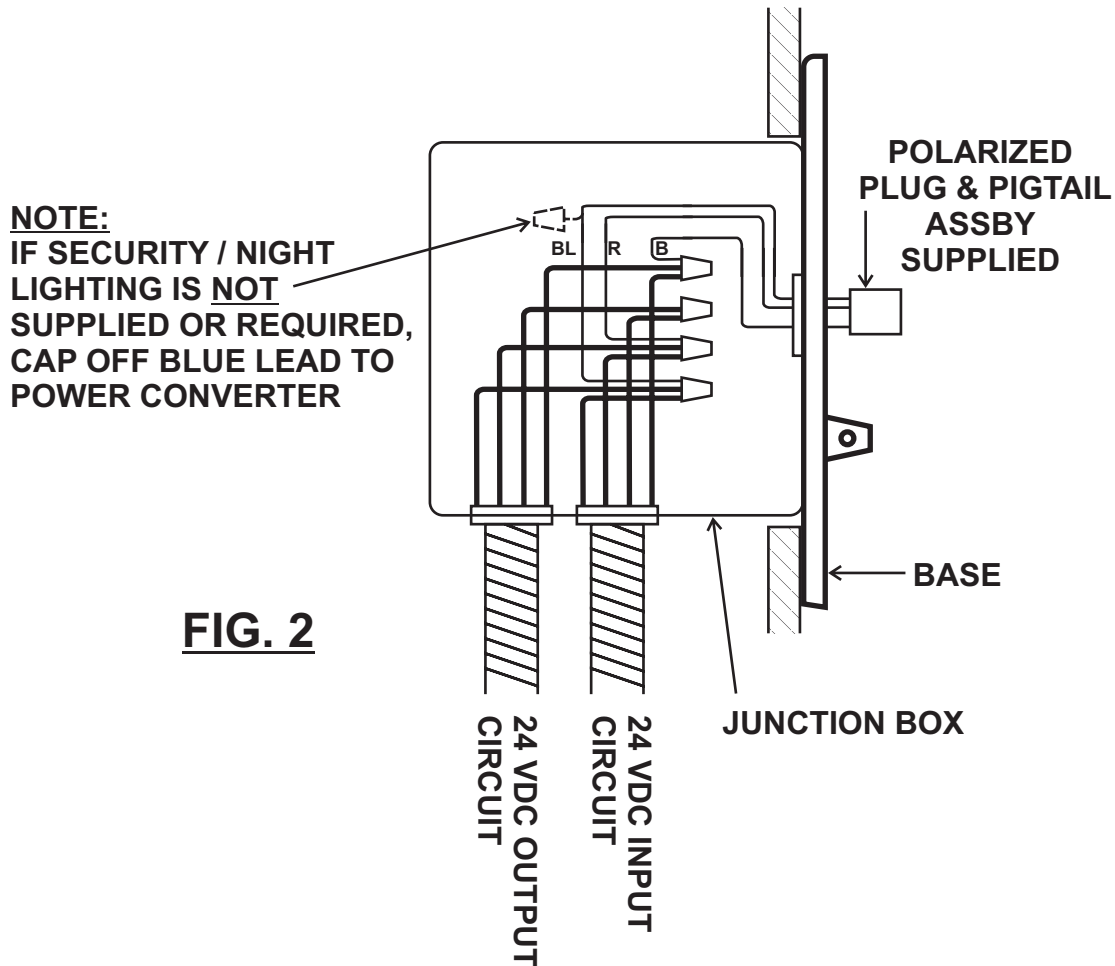
1. See Fig 1 and Fig 2. Connect color coded pigtail supplied to 24VDC input/output wiring in J-Box as shown with standard wire nuts. Cap off BLUE wire from power supply if security lighting not required.
2. Remove KO screw holes in Base as required for J-Box. Route input wiring through center hole and tighten down flush to the wall surface.
3. Place Housing Assembly over Base and connect 4-pin polarized supply plug.
4. Insert two #6-32 set screws part-way into locations on Housing. Place Housing over Base and insert two #6-32 screws at top. **DO NOT TIGHTEN FULLY.** Push down on Housing to compress gasket, and tighten set screws fully. Then, fully tighten top screws.
5. Apply power and check lamp operation.

## IMPORTANT SAFEGUARDS READ AND FOLLOW ALL SAFETY INSTRUCTIONS

1. Disconnect AC power before servicing.
2. Refer to wiring diagram for proper connections.
3. All servicing should be performed by qualified personnel.
4. Consult your local building code for approved wiring and installation.
5. Do not use this equipment for other than intended use.
6. Do not let power cords touch hot surfaces.
7. Mount and secure the fixture at a location and height to avoid ready access and tampering by unauthorized persons.
8. The use of accessory equipment is not recommended by the manufacturer and may cause an unsafe condition.
9. Suitable for wet locations. See product label for temperature limitations.

**SAVE THESE INSTRUCTIONS**

**SUPPLY CIRCUIT WIRING**



**KEY**

- B BLACK: COMMON : 12/24 VDC NEG -**
- Y YELLOW: EXITS/CVRE: 12/24 VDC POS +**
- R RED: EMERGENCY: 24VDC POS +**
- BL BLUE: SECURITY/ NIGHT LIGHTING: 24 VDC POS +**