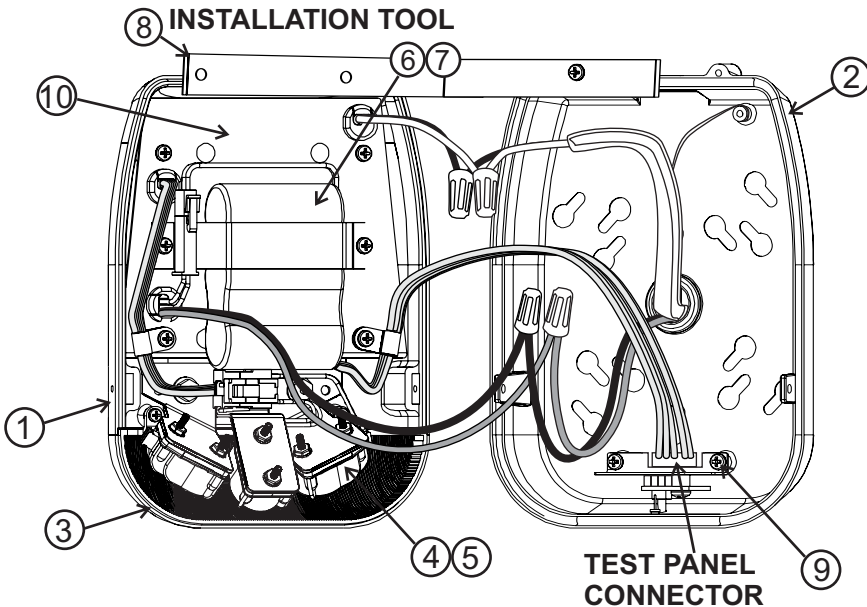
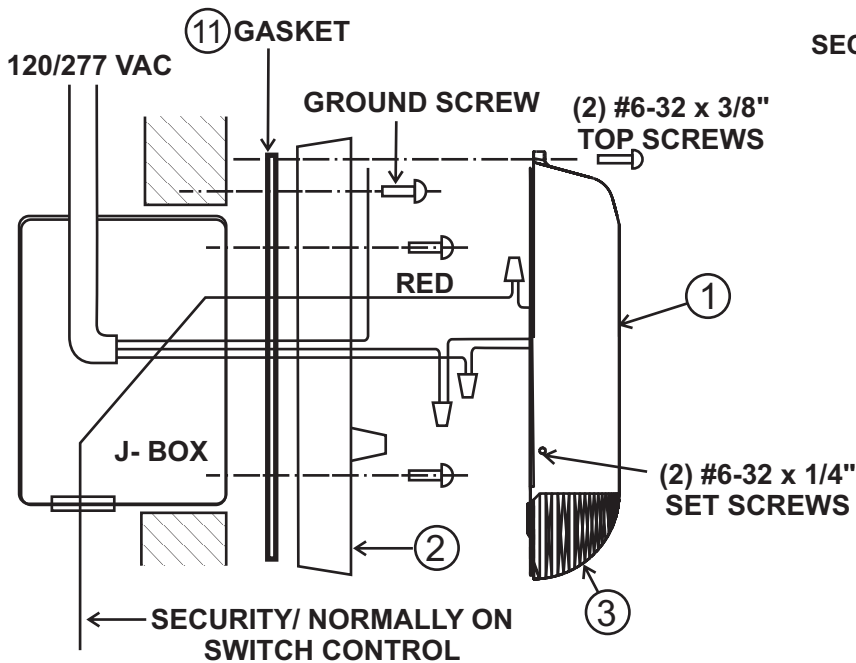


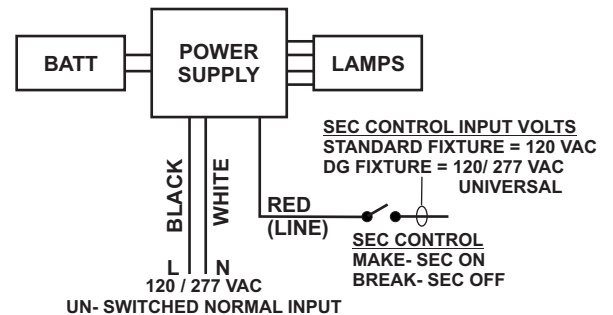
INSTALLATION INSTRUCTIONS AND OWNER'S MANUAL



ITEM	QTY	P/N	DESCRIPTION
1	1	343004-X	HOUSING "X" COLOR
2	1	586102	BASE UNIT EQUIP.
3	1	586104	LENS
4	1	343005	LED 2- LAMP ASSBY KIT
5	1	343006	LED 3- LAMP ASSBY KIT
6	1	SEE SPEC	BATTERY STD
7	1	SEE SPEC	BATTERY LT
8	1	343012	INSTALLATION TOOL
9	1	343007	TEST PANEL ASSBY
10	1	343013	POWER SUPPLY ASSBY
11	1	343035	GASKET



SECURITY LIGHTING SWITCH CONTROL OPTION



IMPORTANT SAFEGUARDS READ AND FOLLOW ALL SAFETY INSTRUCTIONS

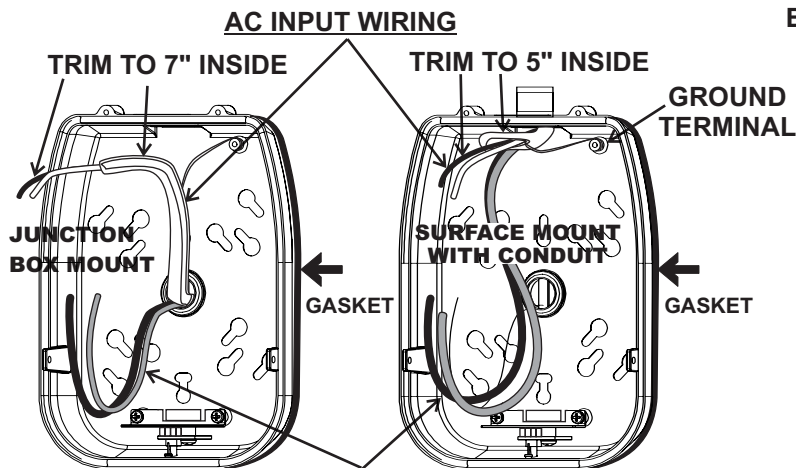
1. Disconnect AC power before servicing.
2. Refer to wiring diagram for proper connections.
3. All servicing should be performed by qualified personnel.
4. Consult your local building code for approved wiring and installation.
5. Do not use this equipment for other than intended use.
6. Do not let power cords touch hot surfaces.
7. Mount and secure the fixture at a location and height to avoid ready access and tampering by unauthorized persons.
8. The use of accessory equipment is not recommended by the manufacturer and may cause an unsafe condition.
9. Suitable for wet locations. See product label for temperature limitations.

SAVE THESE INSTRUCTIONS

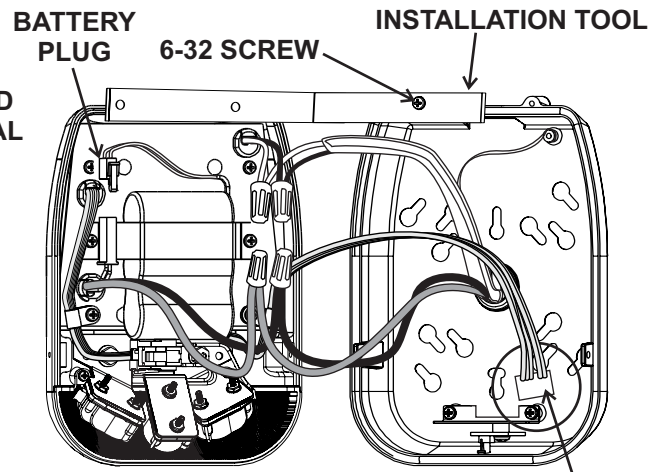
MOONLITE Dual Function LED Exterior Wall Pack Installation Instructions with Integral Battery Series MOE-BB

REV 06.15.08

Product is supplied assembled. To separate Housing and Base, remove two #6-32 screws at top of housing and back out two #6-32 set screws on each side.



OPTIONAL SEC/ NORMALLY ON CONTROL WIRING

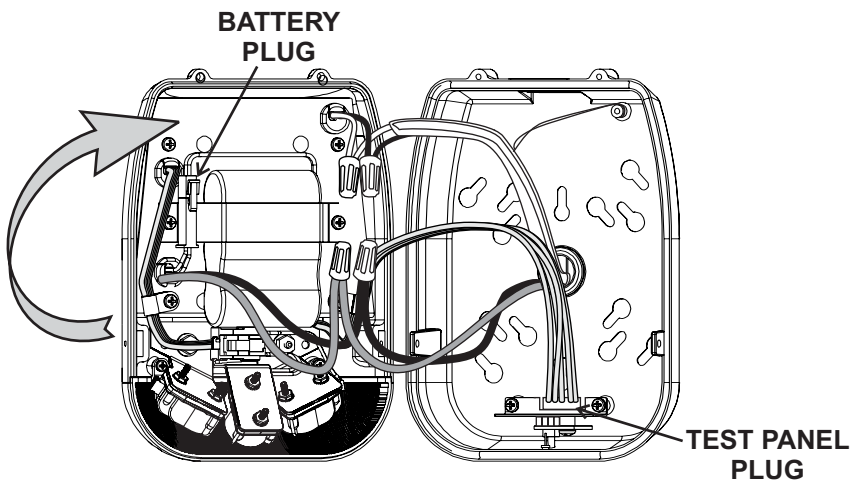


J-BOX MOUNT SHOWN

TEST PANEL PLUG

1. Route AC wiring into j-box or via external conduit. For j-box mount, remove knockouts as required. Route AC wiring through gasket and into Base, secure to j-box or surface. Trim and shape AC wiring and optional SEC/Normally On switch control wiring as shown. Connect AC GROUND wire to screw boss provided.

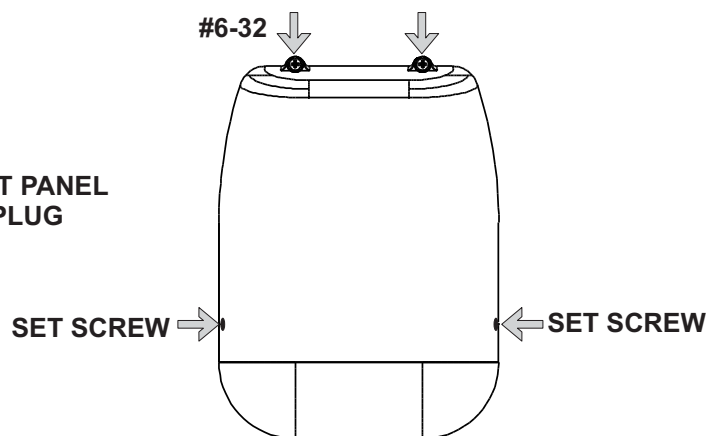
2. Attach Installation Support Tool to Base with 6-32 screw and insert two pins into upper holes of Housing as shown. The Housing assembly will be supported in a convenient position for wiring.



3. Connect the BLACK/ WHITE AC input wiring to building supply, and the optional SEC/ NORMALLY ON wiring, with wire nuts. Connect the TEST PANEL plug, making sure the 6 pins are aligned correctly. Connect the BATTERY plug:

NOTE: IF AC POWER IS OFF, THE FIXTURE WILL TURN ON UNDER BATTERY POWER. TO MINIMIZE BATTERY DISCHARGE, TURN AC POWER ON.

Remove Installation Tool, position wire nuts as shown in above, and rotate upper housing into position.



4. Press down firmly to seal gasket and tighten two 6-32 screws and two set screws. Turn AC power ON and press the PUSH TO TEST button to check operation. Full battery charge requires 24 hrs.