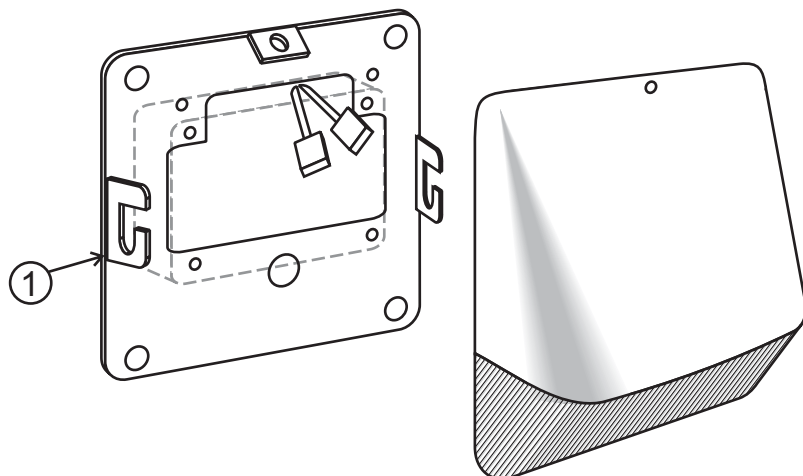
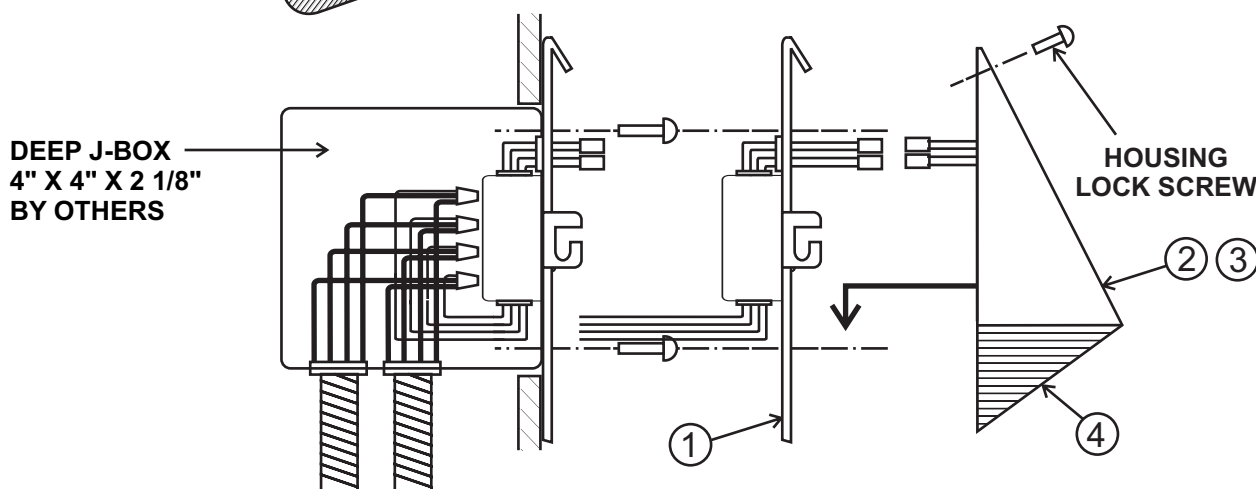


INSTALLATION INSTRUCTIONS AND OWNER'S MANUAL



| ITEM | QTY | P/N | DESCRIPTION |
|------|-----|--------|----------------------|
| 1 | 1 | 342001 | BASE PLATE ASSBY |
| 2 | 1 | 342002 | HOUSING ASSBY 2 LAMP |
| 3 | 1 | 342003 | HOUSING ASSBY 3 LAMP |
| 4 | 1 | 608100 | LENS |



1. See Fig 2., circuit wiring. Trim leads as required and connect color-matched 24VDC input/output wiring as shown with standard wire nuts. Cap off BLUE wire from power supply if security lighting not required.
2. Mount Base Plate to J-Box with two #8-32 screws, flush to the wall.
3. Connect polarized lamp plugs and attach housing the Base Plate with side pins and center locking screw provided.
4. Apply power and check lamp operation.

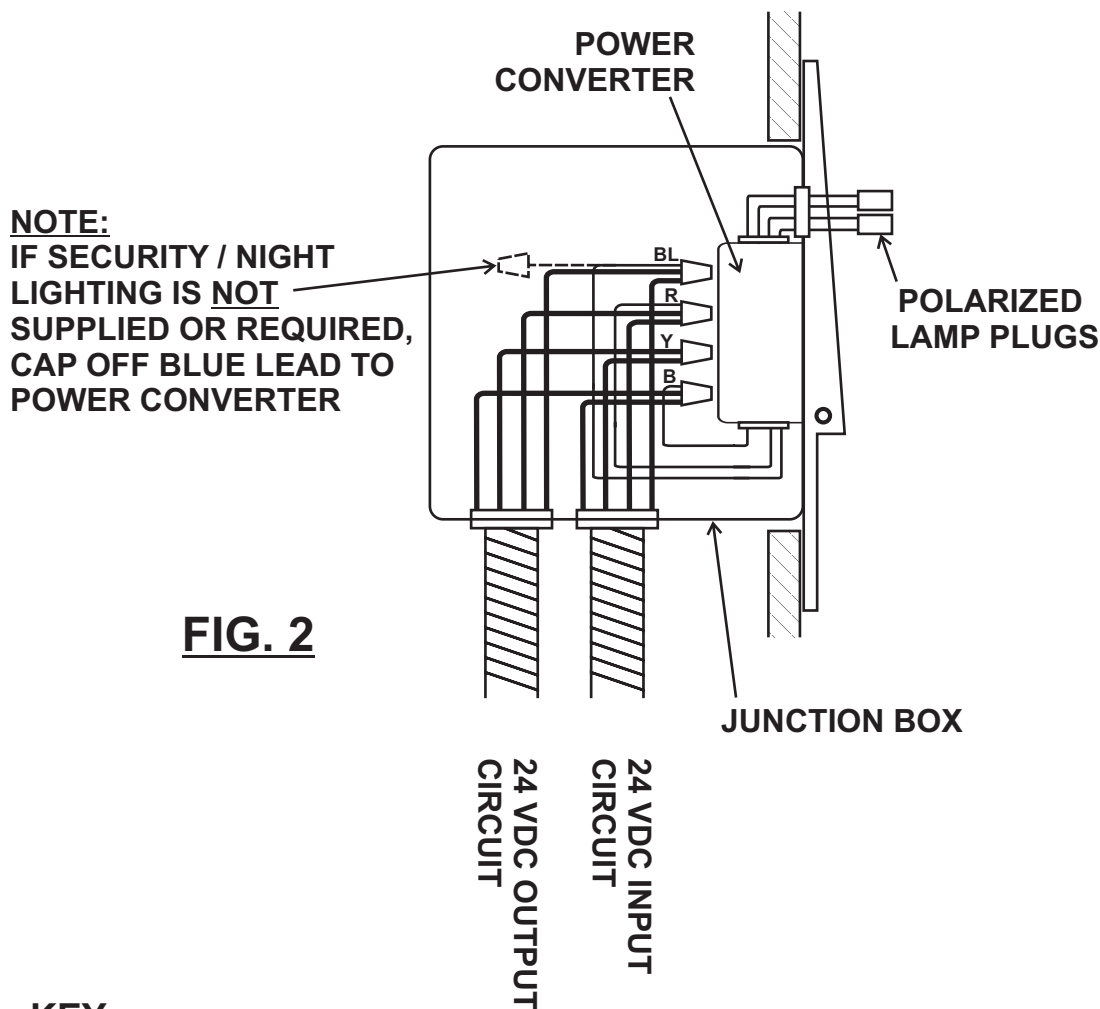
IMPORTANT SAFEGUARDS READ AND FOLLOW ALL SAFETY INSTRUCTIONS

1. Disconnect AC power before servicing.
2. Refer to wiring diagram for proper connections.
3. All servicing should be performed by qualified personnel.
4. Consult your local building code for approved wiring and installation.
5. Do not use outdoors.
6. Do not use this equipment for other than intended use.
7. Do not let power cords touch hot surfaces.
8. Mount and secure the fixture at a location and height to avoid ready access and tampering by unauthorized persons.
9. The use of accessory equipment is not recommended by the manufacturer and may cause an unsafe condition.

SAVE THESE INSTRUCTIONS

INSTALLATION INSTRUCTIONS AND OWNER'S MANUAL

SUPPLY CIRCUIT WIRING



KEY

B= BLACK:COMMON: 12/24 VDC NEG -

Y= YELLOW: EXITS/CVRE: 12/24 VDC POS +

R= RED: EMERGENCY: 24VDC POS +

BL= BLUE: NORMAL ON LIGHTING (NOL): 24 VDC POS +



Sigtex Inc
LIGHTING

220 VFW Avenue, Grasonville, MD 21638
TEL:(410)827-8300 Fax:(410)827-8866
sales@sigtexinc.com www.sigtexinc.com