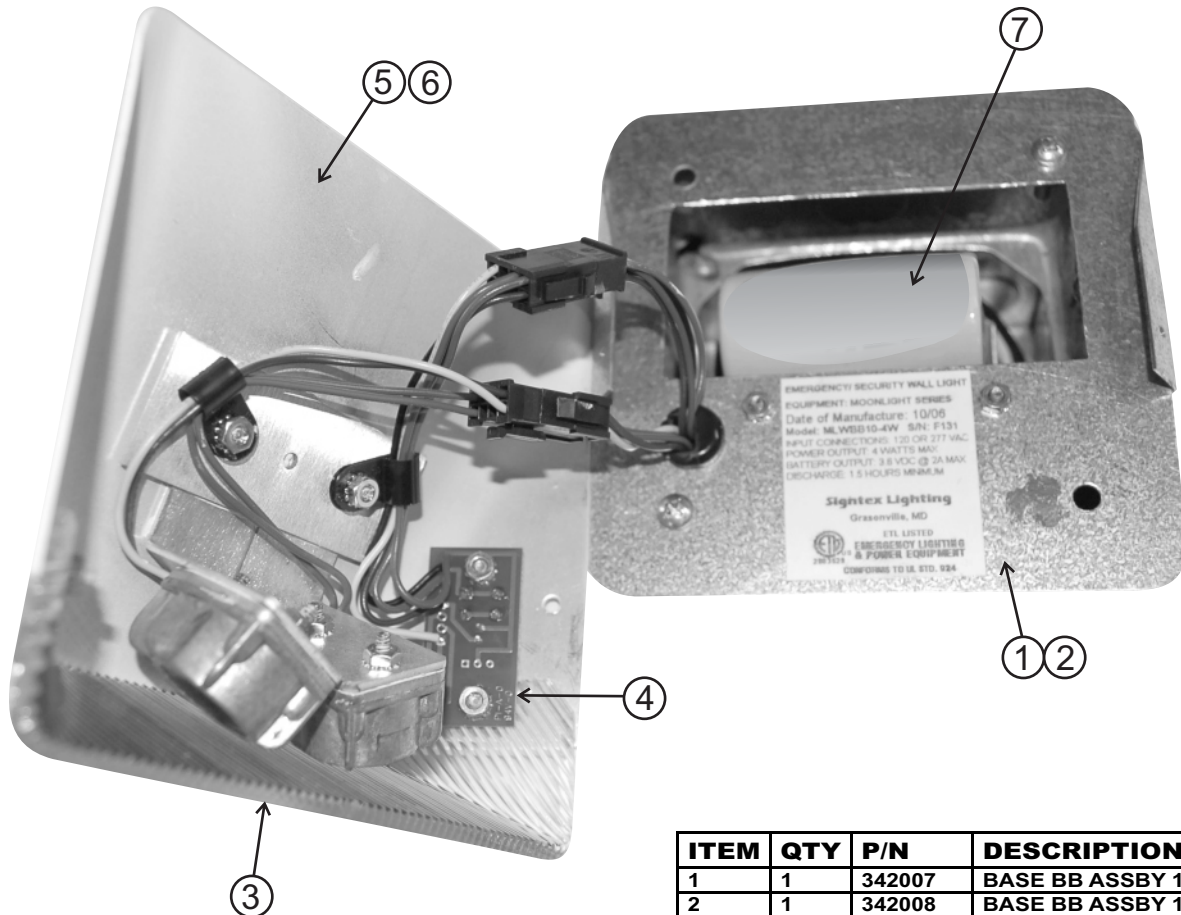


# MOONLITE

## Dual Function LED Interior Wall Pack with Integral Battery Series MLW (BB)

04.15.05

### INSTALLATION INSTRUCTIONS AND OWNER'S MANUAL



ITEM	QTY	P/N	DESCRIPTION
1	1	342007	BASE BB ASSBY 10-4
2	1	342008	BASE BB ASSBY 15-6
3	1	608100	LENS
4	1	342015	TEST PANEL ASSBY
5	1	342011	HSG ASSBY 10-4 "X" COLOR
6	1	342012	HSG ASSBY 15-6 "X" COLOR
7	1	SEE SPEC	BATTERY PACK

#### IMPORTANT SAFEGUARDS READ AND FOLLOW ALL SAFETY INSTRUCTIONS

1. Disconnect AC power before servicing.
2. Refer to wiring diagram for proper connections.
3. All servicing should be performed by qualified personnel.
4. Consult your local building code for approved wiring and installation.
5. Do not use outdoors.
6. Do not use this equipment for other than intended use.
7. Do not let power cords touch hot surfaces.
8. Mount and secure the fixture at a location and height to avoid ready access and tampering by unauthorized persons.
9. The use of accessory equipment is not recommended by the manufacturer and may cause an unsafe condition.

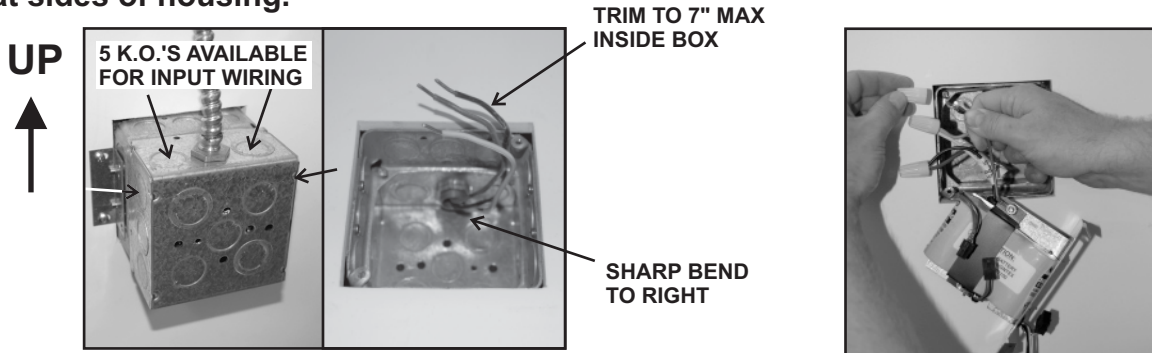
**SAVE THESE INSTRUCTIONS**

# MOONLITE

## Dual Function LED Interior Wall Pack with Integral Battery Series MLW (BB)

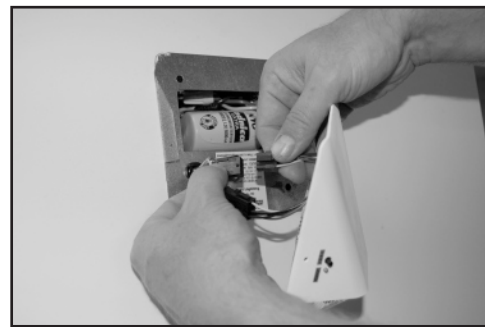
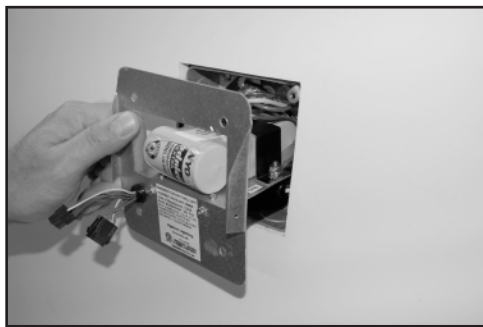
04.15.05

Product is supplied assembled. To separate Housing and Base, remove two #6-32 screws at sides of housing.



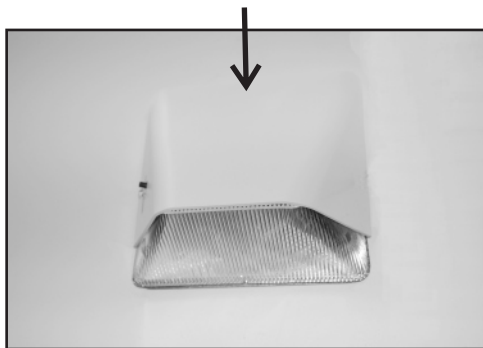
1. Install standard 4" x 4" x 2 1/8" DEEP J-box, together with 1 1/2" extension ring. AC power input wiring can be routed through 5 KO locations in lower J-Box, as shown above. **TRIM AC INPUT WIRING TO LENGTH AND SHAPE AS SHOWN**

2. Make AC wiring connections to Base Plate Assembly with standard wire nuts. **BLACK: 120/277 VAC Universal Input**  
**WHITE: NEUTRAL**  
**GREEN: GROUND (terminal on bracket)**



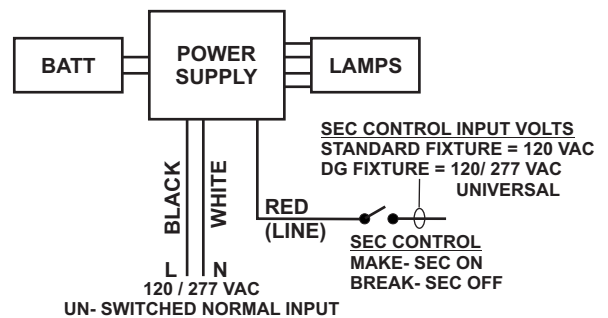
3. Connect polarized battery plug and install Base Plate Assembly into J-Box. Route AC wiring and wire nuts into space above battery.

4. Connect polarized plugs for Test Panel and LED lamps. **NOTE: IF AC BUILDING POWER IS NOT SUPPLIED, THE FIXTURE WILL OPERATE IN EMERGENCY MODE. TO MINIMIZE BATTERY DISCHARGE, TURN AC POWER ON WHEN WIRING CONNECTIONS ARE COMPLETE.**



5. Locate housing pins in slots provided in base, move downwards to lock & secure with one #6-32 screw provided. Apply AC line power, check the LED Status Light is illuminated GREEN and press the PUSH TO TEST to check lamp operation in emergency mode

### SECURITY LIGHTING SWITCH CONTROL OPTION



**Signtex Inc**  
LIGHTING  
220 VFW Avenue, Grasonville, MD 21638  
TEL: (410) 827-8300 Fax: (410) 827-8866  
sales@signtexinc.com www.signtexinc.com