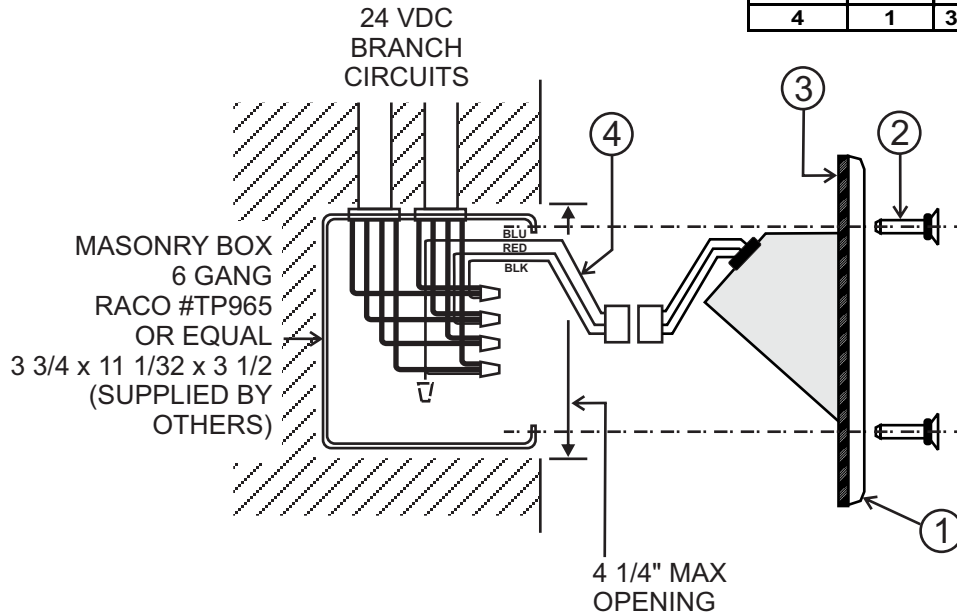


**INSTALLATION INSTRUCTIONS AND OWNER'S MANUAL**

ITEM	QTY	P/N	DESCRIPTION
1	1	346120	LAMP ASSEMBLY
2	4	230424	SCREW #6-32 WET SEAL
3	1	346104	GASKET
4	1	346121	PIGTAIL



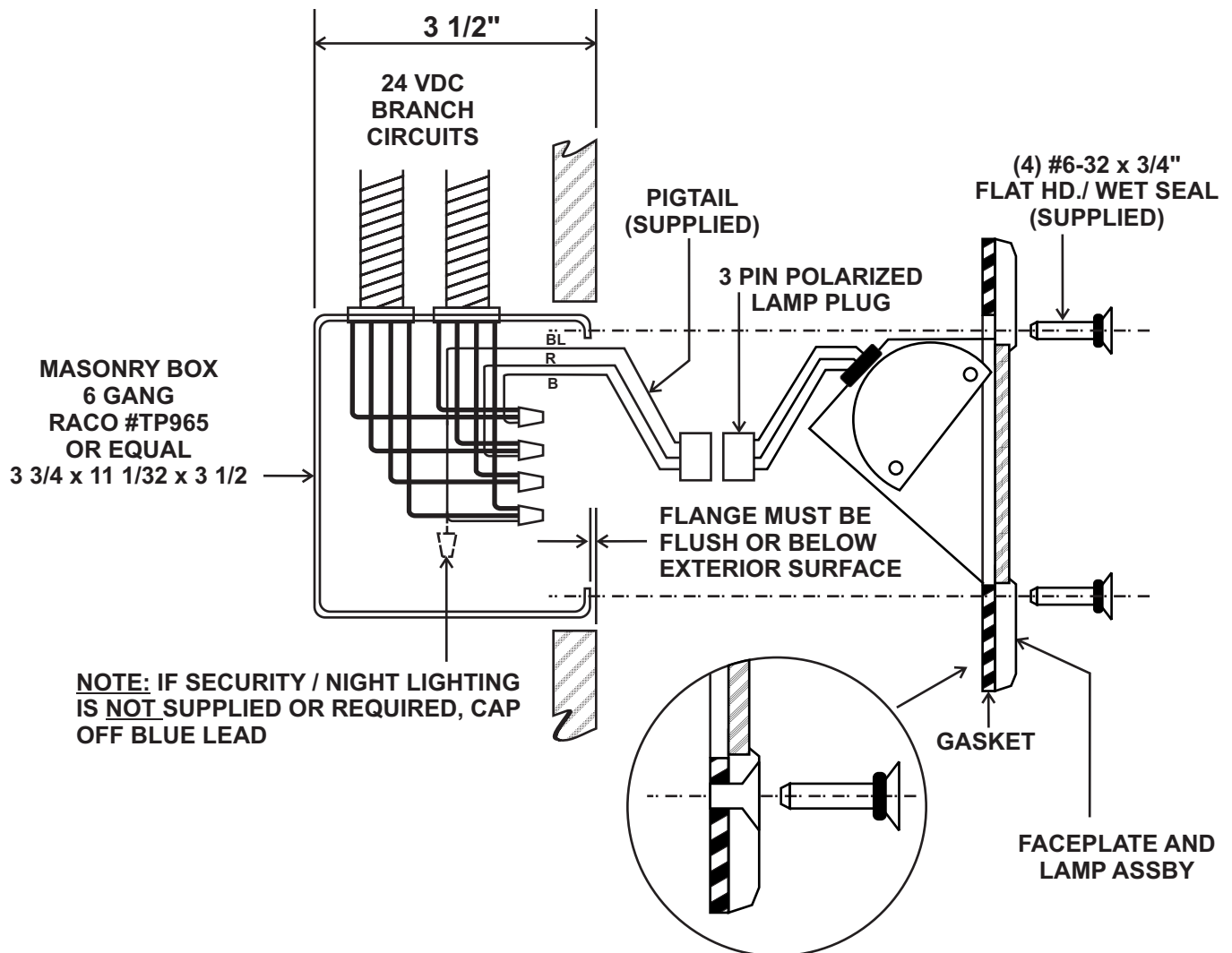
1. See Figs 1 and 2. Route 24V supply wiring IN/OUT into 6-Gang Junction Box enclosure as shown. Firmly secure j-box within cavity by framing, cement fill or brackets to studs as required. **Ensure that the outer flange surfaces are parallel to and flush or just below the exterior mount surface.**
2. Place 24V wiring in lower area of j-box and attach lamp plug connector pigtail (supplied) with wire nuts. **MAINTAIN COLOR CODES AT CONNECTOR**  
 RED: +24V EMERGENCY   YELLOW: +12V/+24V EXIT/ CVRE  
 BLUE: +24VSECURITY/NIGHT LTG  
 BLACK: 12/24VDC COMMON NEGATIVE .
3. Connect 3-Pin polarized Lamp Plug on Lamp Housing Assembly and insert Assembly into the enclosure. Place Assembly in position and ensure the gasket contacts all surfaces around the Faceplate, with no visible holes or cavities.
4. Insert (4) #6-32 stainless wet-seal screws supplied. **Tighten evenly all around faceplate. Do not over tighten screws.**
5. Turn power ON at Central battery System. Fixture illumination can be tested in either emergency or security mode.

**IMPORTANT SAFEGUARDS READ AND FOLLOW ALL SAFETY INSTRUCTIONS**

- |   |   |
|---|---|
| <ol style="list-style-type: none"> <li>1. Disconnect AC power before servicing.</li> <li>2. Refer to wiring diagram for proper connections.</li> <li>3. All servicing should be performed by qualified personnel.</li> <li>4. Consult your local building code for approved wiring and installation.</li> <li>5. Do not use this equipment for other than intended use.</li> <li>6. Do not let power cords touch hot surfaces.</li> </ol> | <ol style="list-style-type: none"> <li>7. Mount and secure the fixture at a location and height to avoid ready access and tampering by unauthorized persons.</li> <li>8. The use of accessory equipment is not recommended by the manufacturer and may cause an unsafe condition.</li> <li>9. Suitable for wet locations. See product label for temperature limitations.</li> </ol> |
|---|---|

**SAVE THESE INSTRUCTIONS**

**SUPPLY CIRCUIT WIRING**



**KEY**

B	BLACK:	COMMON: 12/24 VDC NEG -
R	RED:	EMERGENCY: 24VDC POS +
Y	YELLOW:	EXIT/CVRE: 12/24 VDC POS +
BL	BLUE:	SECURITY/ NIGHT LIGHTING: 24 VDC POS +