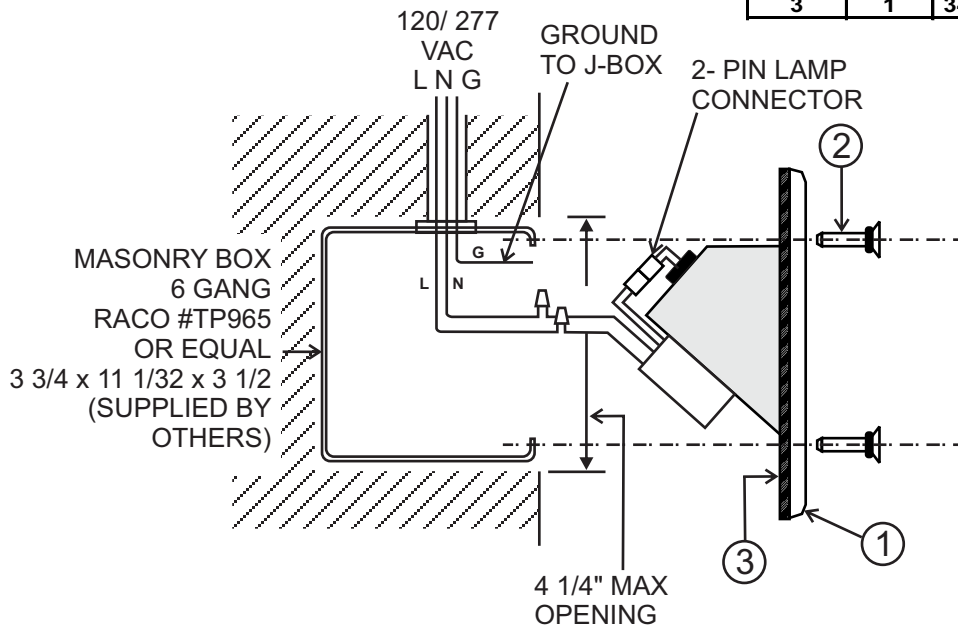


INSTALLATION INSTRUCTIONS AND OWNER'S MANUAL

ITEM	QTY	P/N	DESCRIPTION
1	1	346120	LAMP ASSEMBLY
2	4	230424	SCREW #6-32 WET SEAL
3	1	346104	GASKET



1. Firmly secure j-box within cavity by framing, cement fill or brackets to studs as required. **Ensure that the outer flange surfaces are parallel to and flush or just below the exterior mount surface.**
2. **Input Wiring:** connect 120/ 277 AC input to Building Supply with wire nuts. Connect Ground to Housing with screw mount.
3. Insert (4) #6-32 stainless wet-seal screws supplied. **Tighten evenly all around faceplate. Do not over tighten screws.**
4. Turn power ON after fixture is connected and check lamp operation.

IMPORTANT SAFEGUARDS READ AND FOLLOW ALL SAFETY INSTRUCTIONS

1. Disconnect AC power before servicing.
2. Refer to wiring diagram for proper connections.
3. All servicing should be performed by qualified personnel.
4. Consult your local building code for approved wiring and installation.
5. Do not use this equipment for other than intended use.
6. Do not let power cords touch hot surfaces.
7. Mount and secure the fixture at a location and height to avoid ready access and tampering by unauthorized persons.
8. The use of accessory equipment is not recommended by the manufacturer and may cause an unsafe condition.
9. Suitable for wet locations. See product label for temperature limitations.

SAVE THESE INSTRUCTIONS

SUPPLY CIRCUIT WIRING

