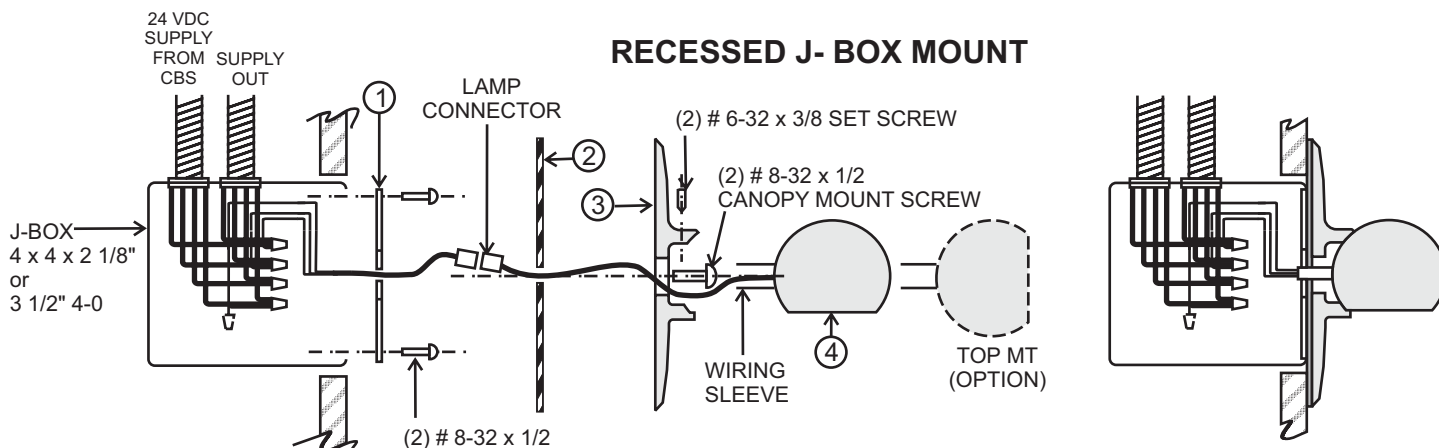


# INSTALLATION INSTRUCTIONS AND OWNER'S MANUAL

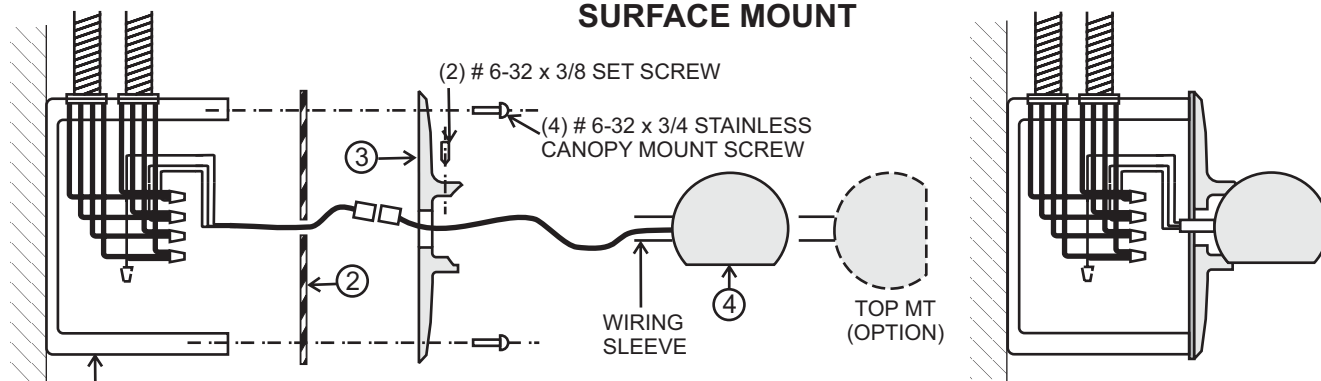
ITEM	QTY	P/N	DESCRIPTION
1	1	518100	ADAPTOR PLATE
2	1	346202	GASKET
3	1	346302	CANOPY
4	1	346502	LAMP HSG ASSBY

SUITABLE FOR WET LOCATIONS  
 AMBIENT TEMPERATURE LIMITS:  
 -20° C to +40° C

## RECESSED J- BOX MOUNT



## SURFACE MOUNT



**TWO-GANG FIXTURE BOX:**  
**DIE CAST ALUMINUM 2\"**  
**(SUPPLIED BY OTHERS)**  
**EXAMPLE: BELL #5346-0 OR EQUAL**

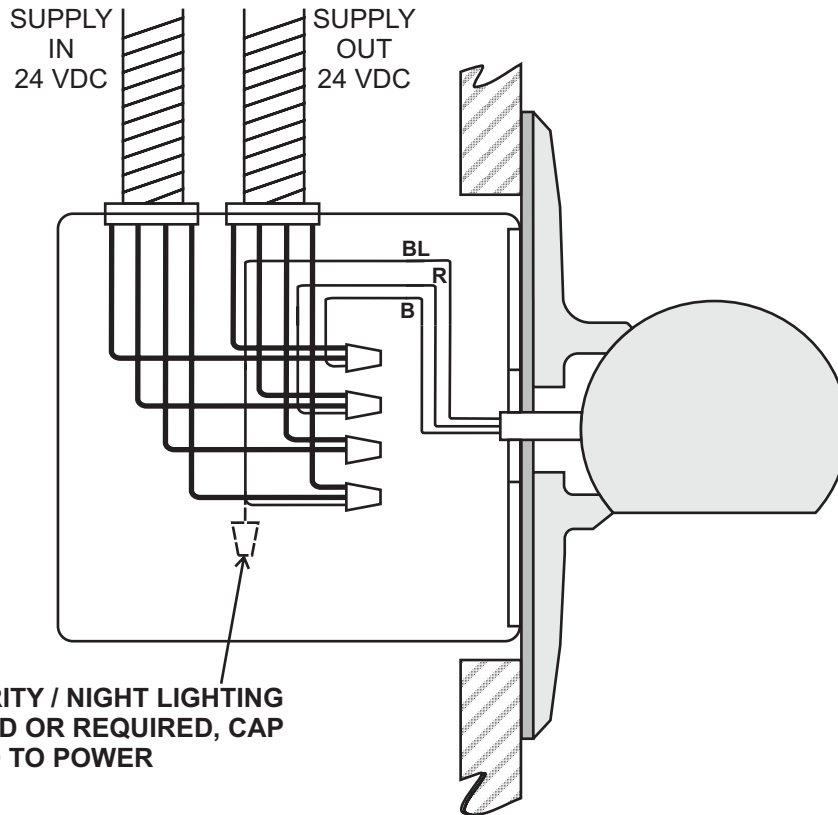
1. Install standard 4" x 4" deep j-box. Align edge of extension flush or just below finish panel surface. See Fig 2., circuit wiring. Trim leads as required and connect color-matched 24VDC input/output wiring as shown with standard wire nuts. If SECURITY lighting is not required, cap off BLACK wire from power supply.
2. Route lamp wiring pigtail through Adaptor Plate (1) and attach plate to j- box. Route Lamp Plug lead through Gasket (2) and Canopy (3). Check that Gasket is even with edge of Canopy, insert two #8-32 x 1/2" screws and tighten firmly.
3. Place Housing (4) into position and connect Lamp Plug. Gently insert plug assembly and wiring sleeve through the gasket into j-box, locate Housing and Gasket in position and secure with two #6-32 x 3/8" set screws.
4. Apply power from central battery system and check lamp operation.

### IMPORTANT SAFEGUARDS READ AND FOLLOW ALL SAFETY INSTRUCTIONS

1. Disconnect AC power before servicing.
2. Refer to wiring diagram for proper connections.
3. All servicing should be performed by qualified personnel.
4. Consult your local building code for approved wiring and installation.
5. Do not use this equipment for other than intended use.
6. Do not let power cords touch hot surfaces.
7. Mount and secure the fixture at a location and height to avoid ready access and tampering by unauthorized persons.
8. The use of accessory equipment is not recommended by the manufacturer and may cause an unsafe condition.
9. Suitable for wet locations. See product label for temperature limitations.

### SAVE THESE INSTRUCTIONS

## SUPPLY CIRCUIT WIRING



**NOTE:** IF SECURITY / NIGHT LIGHTING IS NOT SUPPLIED OR REQUIRED, CAP OFF BLUE LEAD TO POWER CONVERTER

### KEY

B	BLACK:	COMMON: 12/24 VDC NEG -
R	RED:	EMERGENCY: 24VDC POS +
Y	YELLOW:	EXIT/CVRE: 12/24 VDC POS +
BL	BLUE:	SECURITY/ NIGHT LIGHTING: 24 VDC POS +



**Sigtex Inc**  
LIGHTING

220 VFW Avenue, Grasonville, MD 21638  
TEL: (410) 827-8300 Fax: (410) 827-8866  
sales@sigtexinc.com www.sigtexinc.com