

## UNIVERSAL BACK, END OR TOP MOUNT FOR SINGLE AND DOUBLE FACE SIGNS

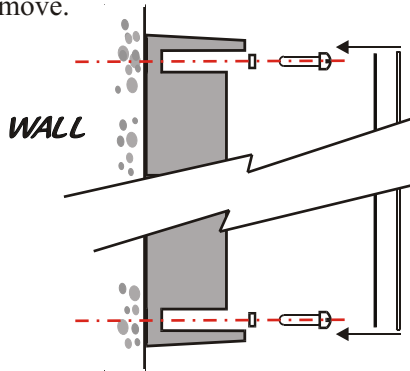
### BACK MOUNT:

1- Select arrows as required by removing arrow insert(s) in stencil face sheet legend. Remove plastic protector from window. Discard angle bracket.

2- ENSURE MOUNTING SURFACE IS FLAT WITH NO RAISED AREAS THAT MAY PENETRATE SIGN OR CAUSE BENDING. Use sign to mark mounting points, and mount sign in position using maximum size 8 screws. Up to six screws may be used (mounting screws supplied by installer).

3- Replace legend and window. Locate tabs on edges of legend face into slots of housing, followed by outer window, which snaps into housing by inserting tabs. Window snaps into housing by locating tabs at six points as shown. Place into position by locating two bottom tabs. Bend the window outwards slightly at sides to insert side tabs. Two tabs along top edge may be inserted by flexing wall (EMP models only) or by inserting 1/4" screwdriver, twist to insert tabs {EMA & EMP models}.

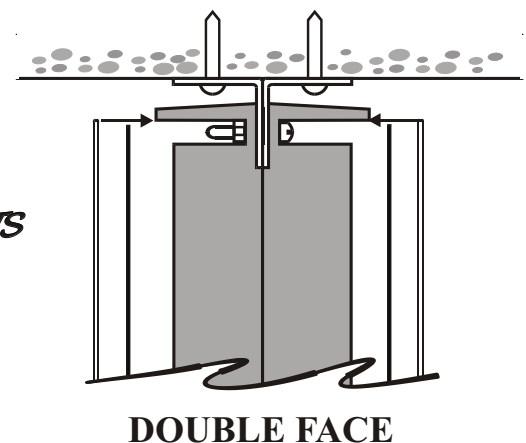
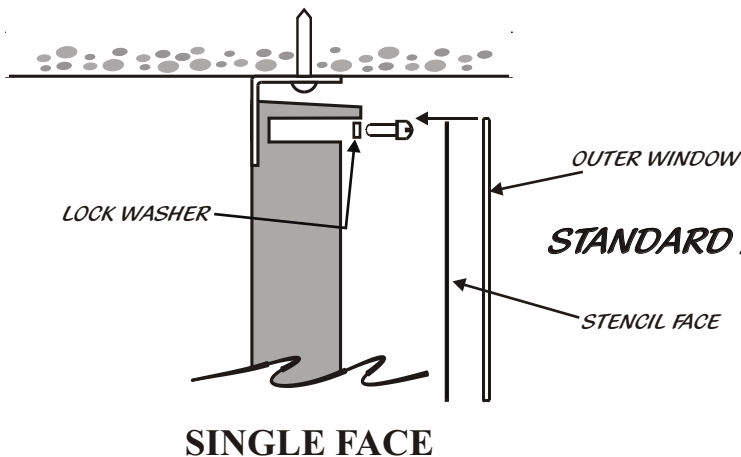
To remove window, insert flat screwdriver into slots provided and twist to release tabs at two points on top edge, then flex window to remove.



### TOP OR END MOUNT WITH UNIVERSAL BRACKET

See diagrams below:

1. Select open holes (not tapped holes), place bracket in mount position and mark screw anchor locations on ceiling or wall surface. Install screw anchors, and install bracket.
2. Attach sign to bracket using two #8-32 Allen-Head screws with lock washers provided.

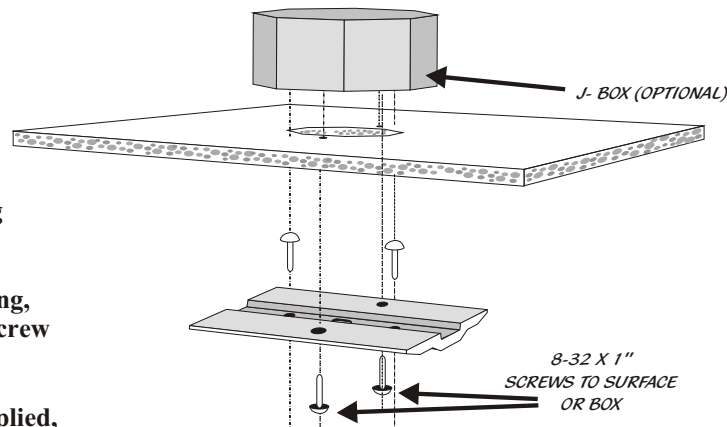
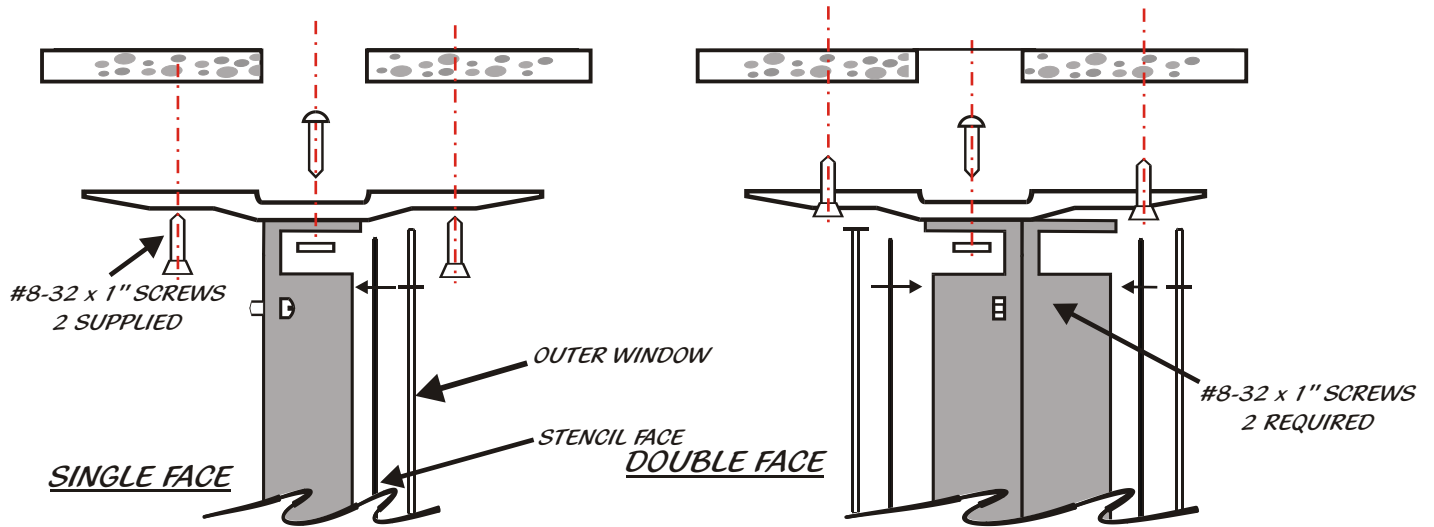


# Emergence

Self-Luminous Signs

## Aluminum Housing Series EMA

CANOPY, TOP, OR END MOUNT



1. Assemble canopy plate to housing using 2 # 8-32 x 1/2" screws.
2. If mounting direct to wall or ceiling, use Canopy Plate holes to mark screw anchor positions, drill and insert anchors. Mount sign assembly to selected location using screws supplied, or to J-Box and spider plate if required (supplied by installer).

