

Installation Instructions & Users Manual

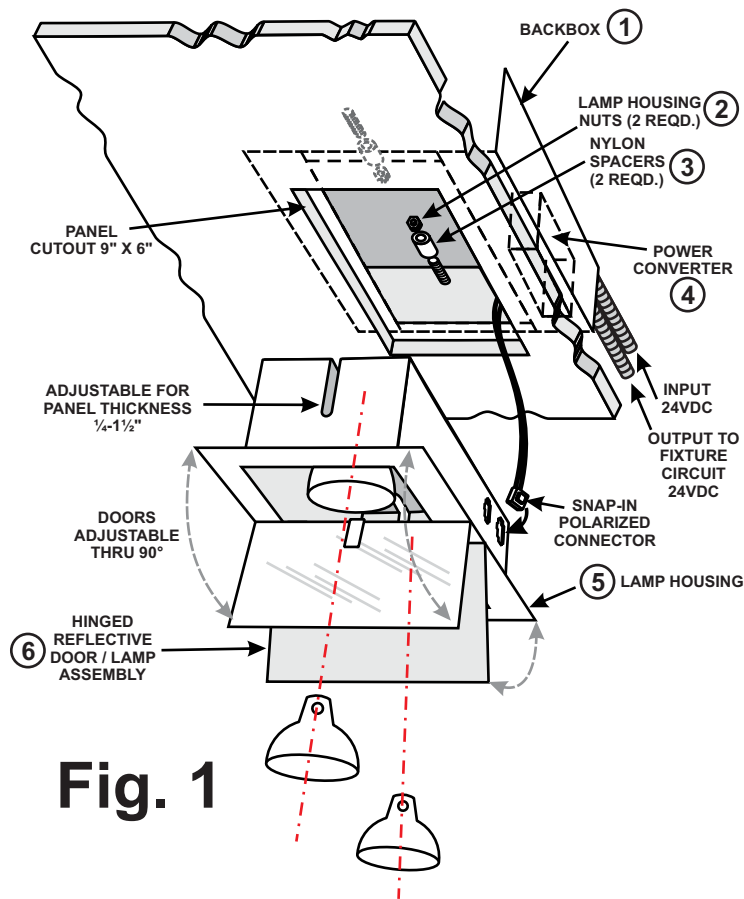


Fig. 1

1. Refer to figs 3 or fig. 5 for top or wall mount and install back box.

NOTE: LAMP ASSEMBLY MUST BE CORRECTLY ORIENTED WITH RESPECT TO PATH OF EGRESS. SEE FIG 1. FOR CORRIDORS OR CONTINUOUS PATHWAYS, THE LAMPS SHOULD BE DIRECTED ALONG THE PATH OF EGRESS.

2. Run supply wiring to back box and make connections as shown in Fig 2, using standard wire nuts (not supplied). Route all wiring into cavity provided. Ensure wires are above opening in back box and do not interfere with lamp housing when inserted into back box.

3. Make lamp housing cutout as required ceiling plaster or tile, and install panel.

4. Insert polarized lamp plug into Lamp Housing as shown, and insert Housing into back box. Hold housing trim flush to panel surface and tighten four #8 nuts on studs provided.

5. See Figs 4 and 6. Adjust lamp and door angles to place lamp beams in optimum locations. To adjust lamps, twist lamp bracket on friction swivels to desired position. To adjust door angle, first open doors manually by pulling on edges gently to open magnet lock. Insert Allen key supplied into access hole on face to locate stop screw, and twist COUNTER CLOCKWISE to reduce (close) door angle. Measure distance between door edges for optimum angles shown in Figs 4 and 6.

7. Apply emergency power and check door/lamp operation

ITEM	QTY	P/N	DESCRIPTION
1	1	525200	BACK BOX ASSBY
2	2	230067	FLANGE NUT #8-32
3	2	230062	NYLON SPACER
4	1	350304	POWER CONVERTER ASSBY
5	1	506200	LAMP HOUSING
6	1	350302	DOOR- LAMP ASSBY

IMPORTANT SAFEGUARDS READ AND FOLLOW ALL SAFETY INSTRUCTIONS

1. Disconnect AC power before servicing.
2. Refer to wiring diagram for proper connections.
3. All servicing should be performed by qualified personnel.
4. Consult your local building code for approved wiring and installation.
5. Do not use outdoors.
6. Do not use this equipment for other than intended use.
7. Do not let power cords touch hot surfaces.
8. Mount and secure the fixture at a location and height to avoid ready access and tampering by unauthorized persons.
9. The use of accessory equipment is not recommended by the manufacturer and may cause an unsafe condition.

SAVE THESE INSTRUCTIONS

TOP MOUNT

Back box Installation

Series CVLRE

REV: 12.21.04

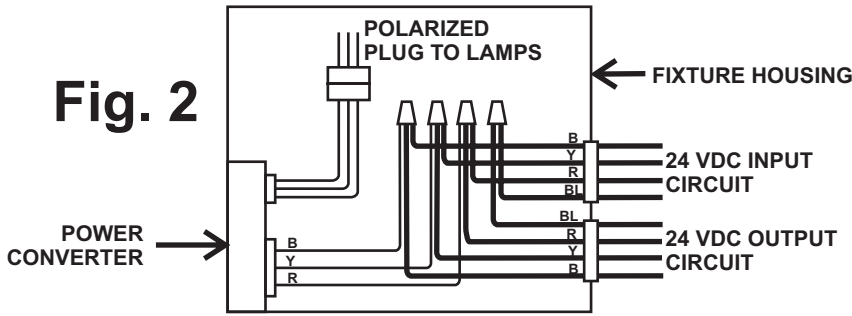
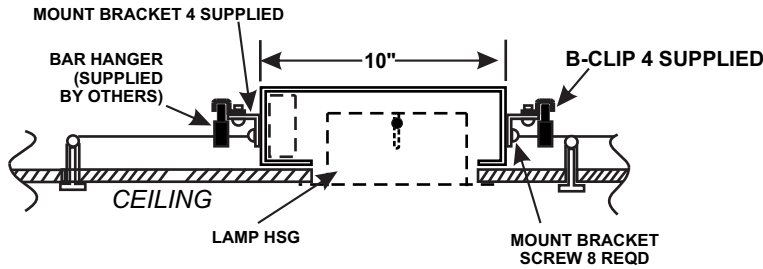


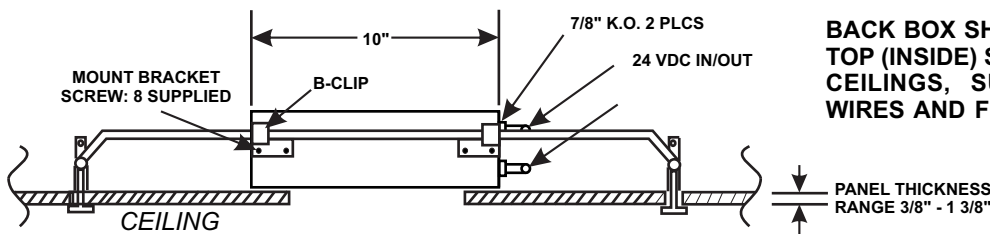
Fig. 2

KEY

- B- BLACK: COMMON NEG -
- Y- YELLOW: EXITS AND DATA:
12-24 VDC POS +
- R- RED: EMERGENCY:
24VDC POS +
- BL- BLUE: SECURITY/ NIGHT LTG:
24 VDC POS +



1. For T-Bar installations, rotate side bracket clips as required to fit T-Bar hangers. For masonry ceilings, attach side brackets to beam.
2. Locate fixture position and make cutout in ceiling panel.



BACK BOX SHOULD BE FLUSH WITH TOP (INSIDE) SURFACE. IN MASONRY CEILINGS, SUPPORT WITH DROP WIRES AND FRAMING AS REQUIRED

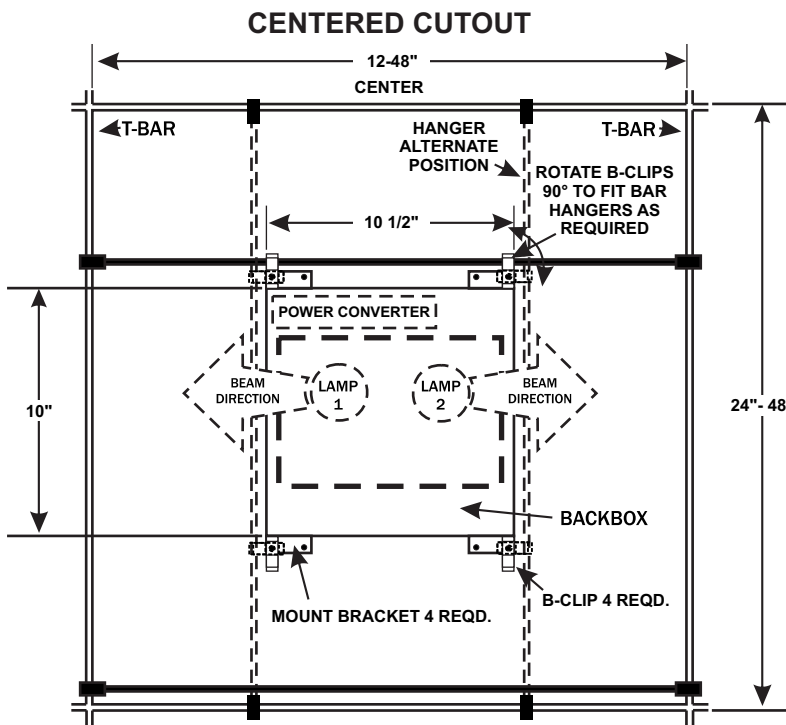


Fig. 3

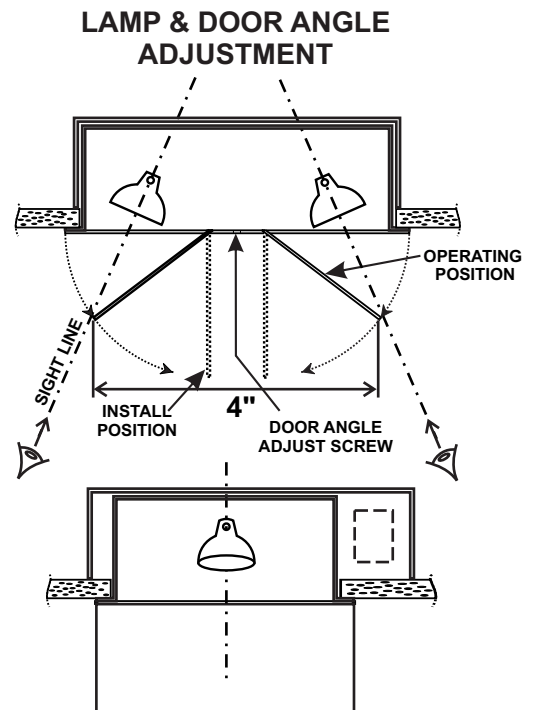
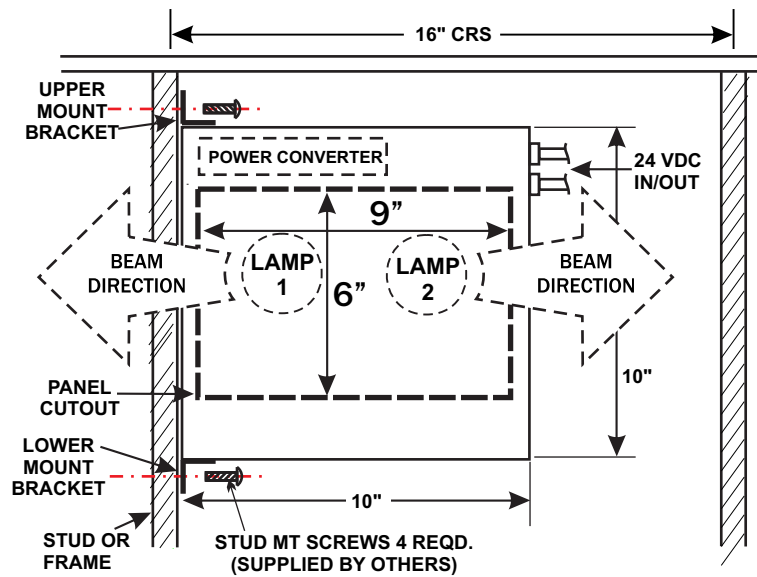


Fig. 4

WALL MOUNT



Back box Installation

Series CVLRE

REV: 12.21.04

1. Backbox mounts to stud on either left or right side. Select side to mount and attach upper and lower mount brackets with (4) #6 sheet metal screws provided.

2. Determine panel cutout location desired. Place back box into position with face flush or just below stud face. Mark mount bracket hole locations.

3. Drill pilot holes in stud at marked locations, and mount backbox in position with (4) mount screws installed firmly.

Both upper and lower mount brackets must be used.

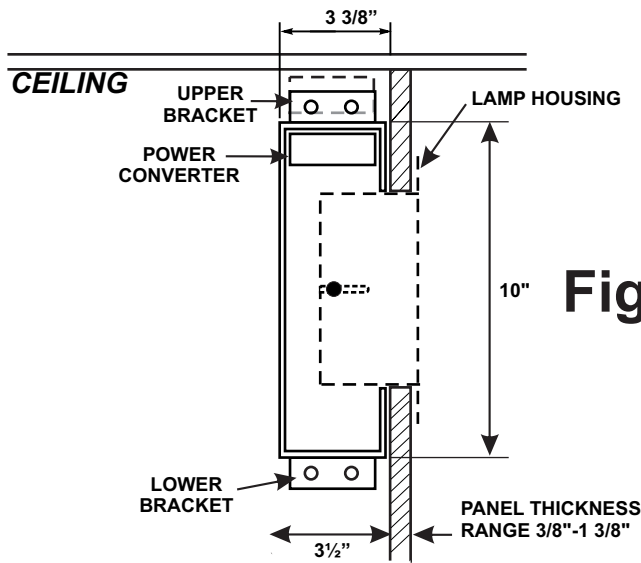
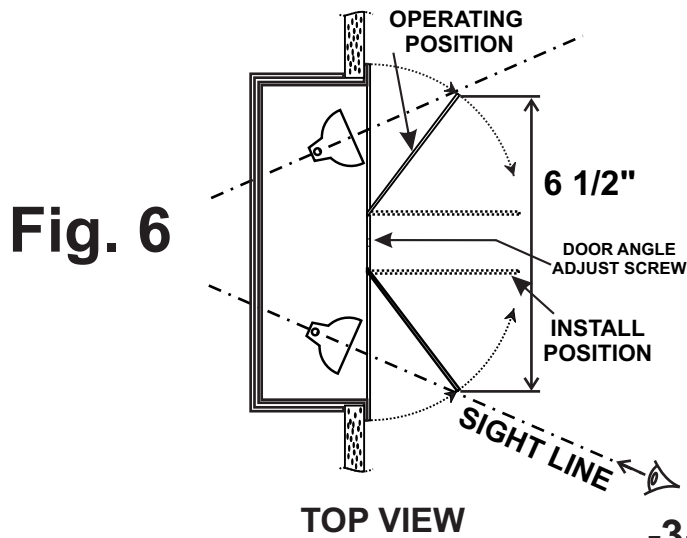
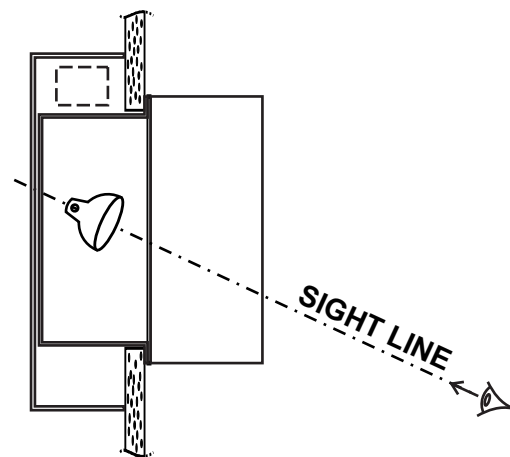


Fig. 5

LAMP & DOOR ANGLE ADJUSTMENT



TOP VIEW



SIDE VIEW

Coverlite Back box Installation

Series CVLRE

REV: 12.21.04

SURFACE MOUNT

Mounting surface should be flat within 1/8" and capable of supporting installed weight up to 10 lbs. Use suitable screw anchors at all locations.

1. Drill 4 screw anchor locations as required to match mount hole positions.
2. Install mount screws to complete attachment of back box to wall or ceiling.
3. Refer to recess mount instructions; Install wiring, Lamp Housing and Door- lamp assembly.
4. See Figs. 4 & 6 for lamp and door angle positions.

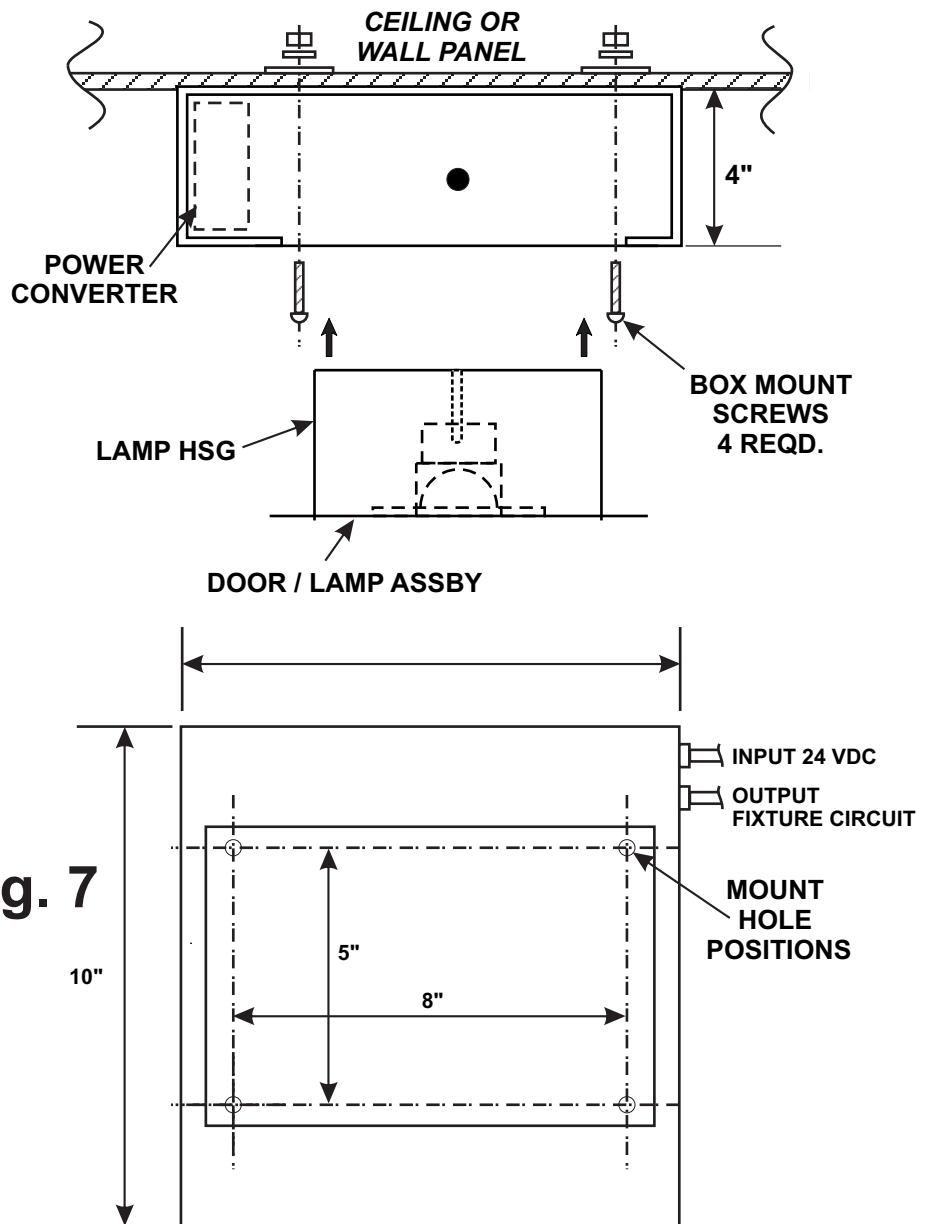


Fig. 7



Sigtex Inc
LIGHTING

220 VFW Avenue, Grasonville, MD 21638
TEL: (410) 827-8300 Fax: (410) 827-8866
sales@sigtexinc.com www.sigtexinc.com