

Crystal Recessed Mount Remote Edge-Lit Exit Sign

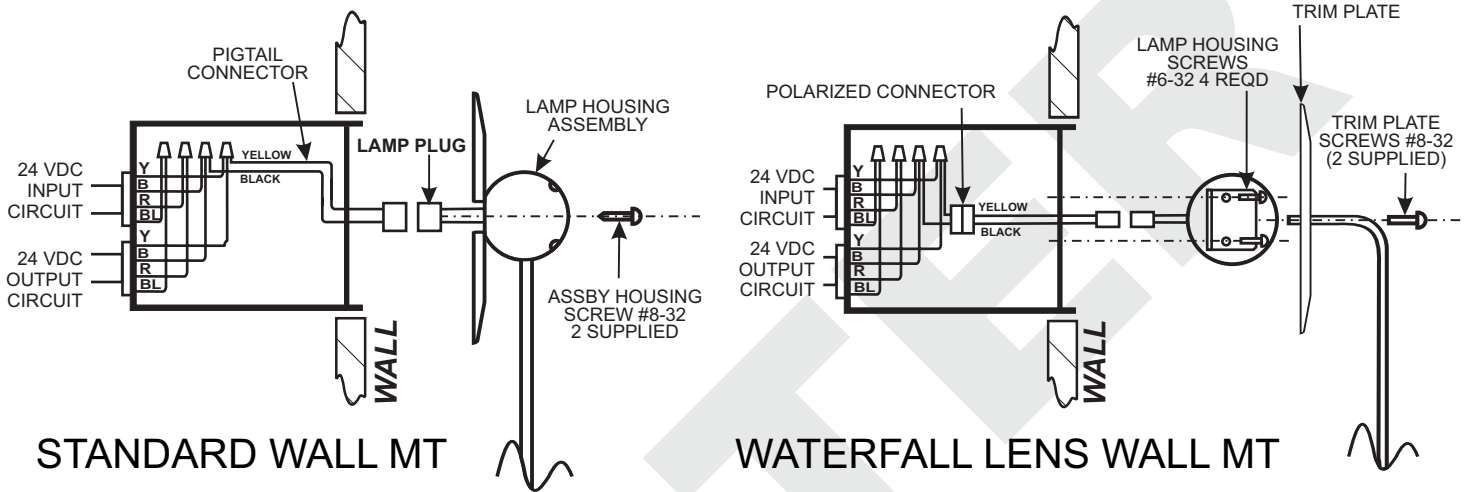
Series CRR-REC

REV 02.17.03

for Universal Central Battery System Series CBS

INSTALLATION INSTRUCTIONS AND OWNER'S MANUAL

Before installing or connecting any primary power wiring,
DISCONNECT MAIN POWER SUPPLY AT THE CIRCUIT BREAKER OR FUSE.



STANDARD WALL MT

WATERFALL LENS WALL MT

KEY

BLACK: 12/24 COMMON VDC NEG -
YELLOW: EXITS / CVRE: +12/+24 VDC
RED: EMERGENCY: + 24 VDC
BLUE: SECURITY / NIGHT OPS: + 24 VDC

ALL MODELS

EMERGENCY POWER RATING (EPR):
SINGLE FACE- 2 WATTS
DOUBLE FACE- 4 WATTS

STANDARD WALL MOUNT

1. Install Recessed Back Box as required. Edge of box should be just below finished panel surface.
2. Connect 24VDC input/output circuit wiring as shown above, and connect the BLACK and YELLOW leads to the pigtail connector supplied.
3. Position the sign assembly over the back box and connect the polarized lamp plug. Secure the sign assembly to back box with the two color-matched #8-32 screws supplied. Trim plate should be flush with the panel surface.

WATERFALL LENS WALL MOUNT

1. Follow STANDARD WALL MOUNT steps 1-2.
2. Position the lamp housing and lens assembly over the back box and connect the polarized lamp plug. Secure the lamp housing to the back box with four #6-32 screws supplied.
3. Slide Trim plate over lens carefully, until flush with panel surface, and secure with two #8-32 color-matched screws supplied.

IMPORTANT SAFEGUARDS READ AND FOLLOW ALL SAFETY INSTRUCTIONS

1. Disconnect AC power before servicing.
2. Refer to wiring diagram for proper connections.
3. All servicing should be performed by qualified personnel.
4. Consult your local building code for approved wiring and installation.
5. Do not use outdoors.
6. Do not use this equipment for other than intended use.
7. Do not let power cords touch hot surfaces.
8. Mount and secure the fixture at a location and height to avoid ready access and tampering by unauthorized persons.
9. The use of accessory equipment is not recommended by the manufacturer and may cause an unsafe condition.

SAVE THESE INSTRUCTIONS

Crystal Recessed Mount Remote Edge-Lit Exit Sign for Universal Central Battery System Series CBS

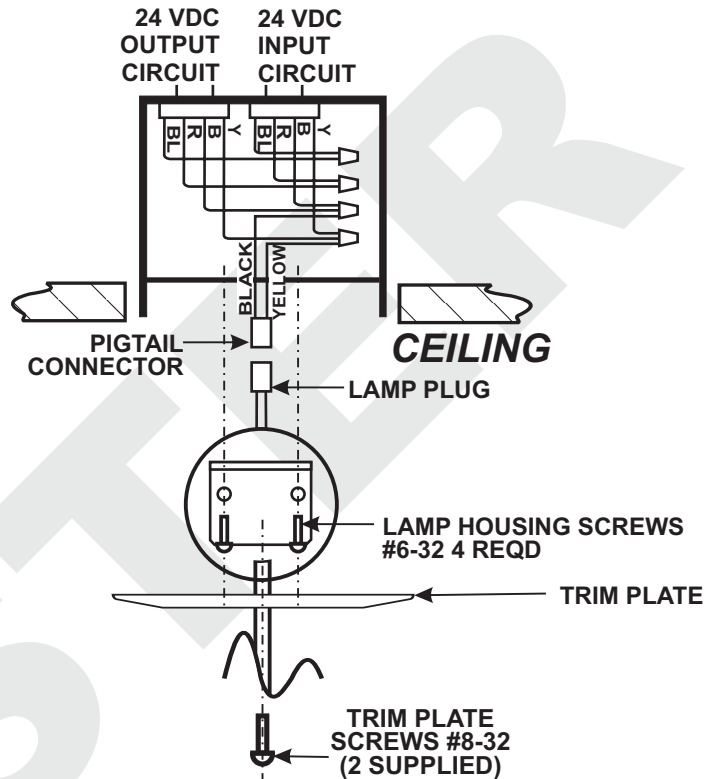
Wall Mount Installation Series CRR-REC

REV 02.17.03

Before installing or connecting any primary power wiring,
DISCONNECT MAIN POWER SUPPLY AT THE CIRCUIT BREAKER OR FUSE.

TOP MOUNT

1. Follow STANDARD WALL MOUNT steps 1-2.
2. Position the lamp housing and lens assembly below the back box and connect the polarized lamp plug. Secure the lamp housing to the back box with four #6-32 screws supplied.
3. Slide Trim plate over lens carefully, until flush with panel surface, and secure with two #8-32 color-matched screws supplied.

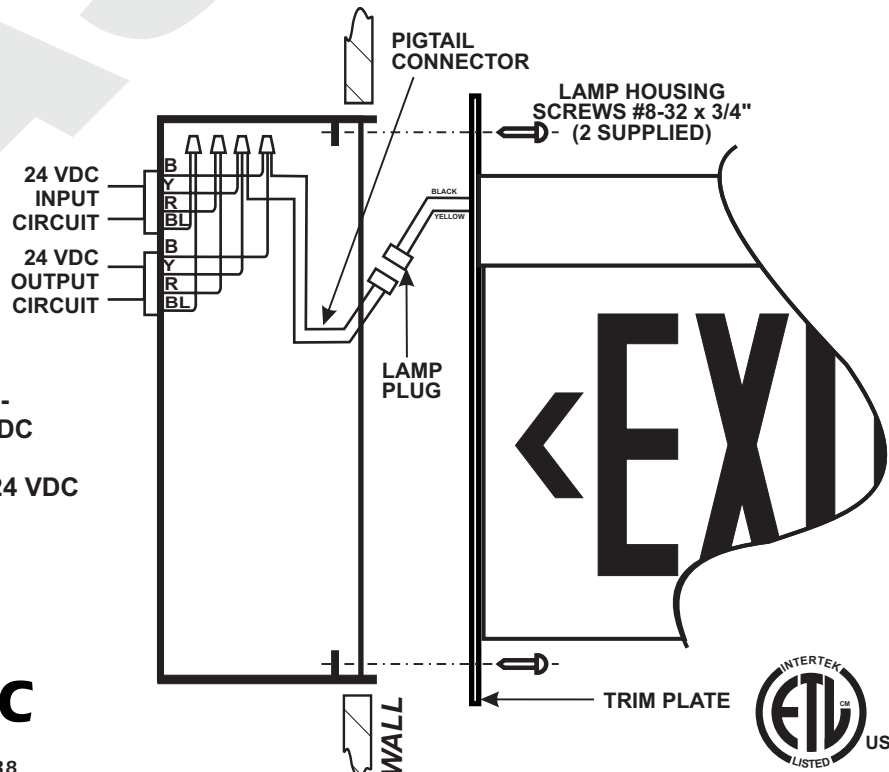


KEY

- B BLACK: 12/24 COMMON VDC NEG -
- Y YELLOW: EXITS / CVRE: +12/+24 VDC
- R RED: EMERGENCY: + 24 VDC
- BL BLUE: SECURITY / NIGHT OPS: + 24 VDC

END MOUNT

1. Follow STANDARD WALL MOUNT steps 1-2.



KEY

- B BLACK: 12/24 COMMON VDC NEG -
- Y YELLOW: EXITS / CVRE: +12/+24 VDC
- R RED: EMERGENCY: + 24 VDC
- BL BLUE: SECURITY / NIGHT OPS: + 24 VDC