

Emergency Lighting Control

For Use With Series CBS Central Battery System for Emergency Lighting

Series ELC
Type P2

ELCP2.03.21.15

GENERAL DESCRIPTION

ELC converts any LED luminaire operating from normal AC or 24VDC power, to emergency lighting operation powered from a Sigtex central battery system. Constant power output is factory adjustable to optimize emergency illumination level and fixtures may be on, off, switched or dimmed in normal mode without affecting emergency operation. General lighting fixtures with ELC may be combined with MOONLITE LED™ emergency luminaires and exits in the central battery system, as required.

Typical applications for Type P2 may include 2 x 2 or 2 x 4 LED flat panel or other lay-in designs, with normal power ranging from 10W to 70 watts or more.

All Sigtex central battery systems Series CBL and CBM include fully automatic self-test, self-diagnostics. Series CBM includes the MARS™ Monitoring and Reporting System which provides cloud-based internet communication and fault reports delivered automatically via email for all components of the emergency system.

CONSTRUCTION & OPERATION

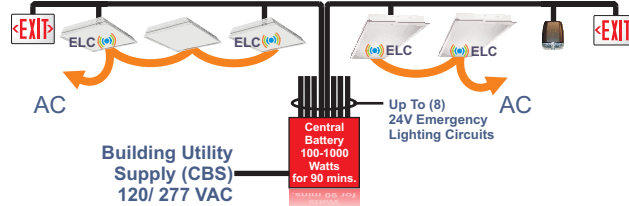
- Factory or field installable in the Fire and Electrical Enclosure of listed fixtures.
- Normal lighting operation is not affected by ELC operation.
- Compatible with all types of dimming and lighting controls.
- Standard mount= Hi temp VHB DF tape and flange for screw mount.

ELECTRICAL

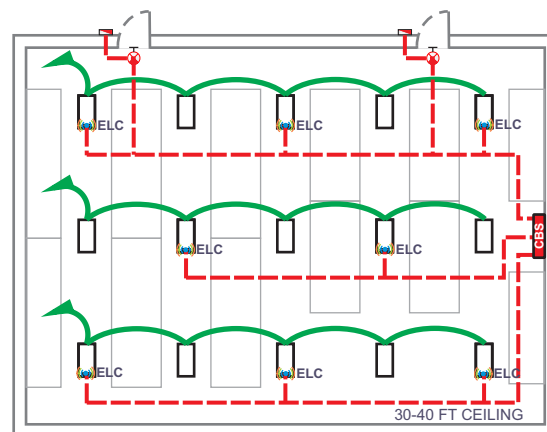
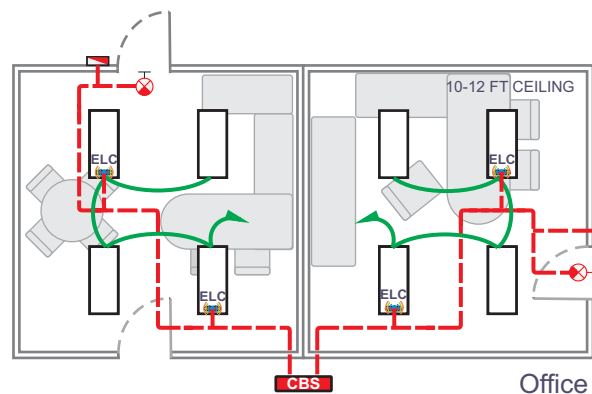
- Input 24 VDC.
- Constant emergency power output is factory adjustable from 5W to 24W (see option HP).
- Output voltage auto sensing range up to 41V.
- Adjustable emergency lumen output allows optimum settings for any fixture to equal or exceed requirements of NEC and NFPA 101 codes for varying mounting heights and other conditions.
- Available for LED fixtures operating from 10W to 70W or higher in normal mode.
- Optional DC models available for compatible LED fixtures operating from 24VDC normal power.

CODES

- UL Listed in compliance with UL Standard 924 and CAN/CSA C22.2 No. 141-15 for field or factory installation in Fire and Electrical Enclosure. All Sigtex Central Battery Systems and MOONLITE LED emergency fixtures are Listed to UL Standard 924.



Low Voltage Emergency Circuits



Warehouse

— EMERGENCY LIGHTING CIRCUIT: LOW VOLTAGE 24 VDC
— NORMAL LIGHTING BRANCH CIRCUIT 120/ 277 VAC

DESIGNED & MANUFACTURED
IN THE USA

UL
LISTED

Sigtex Inc
LIGHTING
SPECIFIED EMERGENCY LIGHTING

FIXTURE SCHEDULE

MODEL	CATALOG NO
APPROVAL	JOB INFORMATION

SUGGESTED SPECIFICATIONS:

Supply and install Sigtex Emergency Lighting Control Series ELC which shall be capable of operating a LED general lighting fixture in emergency mode for a minimum of 90 minutes following failure of the normal power supply to the fixture, when connected to a Sigtex Central Battery System, Series CBM or CBL, with luminance level to equal or exceed the minimums required by the current NEC codes.

See Sigtex SPECIFICATION GUIDE to develop exact specifications for your specific application

EMERGENCY OUTPUT

STANDARD POWER

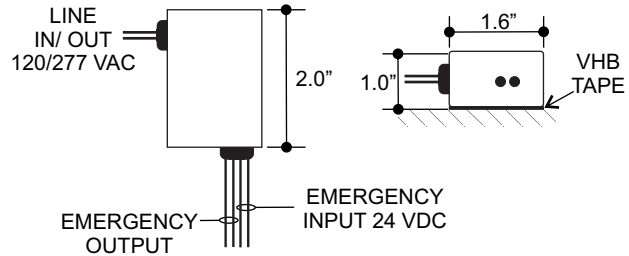
Output Voltage Range.....21 - 41 VDC
 Current Range (Settable).....100 - 350 mA
 Max Power.....14 Watts

HIGH POWER (OPTION HP)

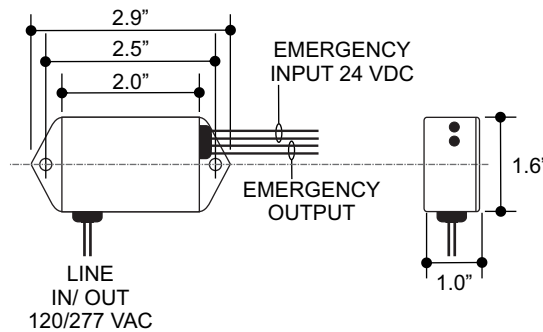
Output Voltage Range.....5 - 22 VDC
 Current Range (Settable).....200mA - 1A
 Max Power.....22 Watts

Operating Temperature: -40° to +65° C
 Max Ambient Temperature (Ta) 65° C
 Max Case Temperature (Tc) 80° C

STANDARD MOUNT: VHB TAPE
HORIZONTAL MOUNT ONLY: VOLUME 4.0 CU INCH



SCREW MOUNT : VOLUME 5.0 CU INCH



ORDERING INFORMATION: Example: ELC18P2-32W36-HP

ELC	18	P2	-32W	36	-HP
MODEL SERIES	EMERGENCY POWER WATTS	PACKAGE TYPE	FIXTURE NORMAL POWER WATTS	NORMAL DRIVER MAX OUTPUT VOLTS	OPTIONS
ELC	X Watts ¹	P2	XW= X Watts	X Volts DC	HP = 22 W/ 1A Max DC= In/ Out 24 VDC Normal Power ²

¹ Based on lumen output required

² If LED arrays include current regulation circuits, contact factory to confirm ELC is compatible.



DISTRIBUTOR: