

# Emergency Lighting Control

## For Use With Series CBS Central Battery System for Emergency Lighting

Series ELC  
Type P1

ELCP1.10.17.11

### GENERAL DESCRIPTION

ELC converts an LED luminaire to emergency lighting operation, powered from a Sigtex central battery system. Constant power output is factory adjustable to optimize emergency illumination level and fixtures may be on, off, switched or dimmed in normal mode without affecting emergency operation. General lighting fixtures with ELC may be combined with MOONLITE LED™ emergency luminaires and exits in the central battery system, as required.

Typical applications for Type P1 may include down lights or other luminaires with limited space available, in normal power range from 10W to 70W.

All Sigtex central battery systems Series CBL and CBM include fully automatic self-test, self-diagnostics. Series CBM includes the MARS™ Monitoring and Reporting System which provides cloud-based internet communication and fault reports delivered automatically via email for all components of the emergency system.

### CONSTRUCTION & OPERATION

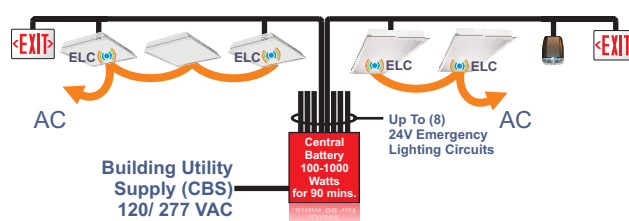
- Factory or field installable in the Fire and Electrical Enclosure of listed fixtures.
- Normal lighting operation is not affected by ELC operation.
- Compatible with all types of dimming and lighting controls.

### ELECTRICAL

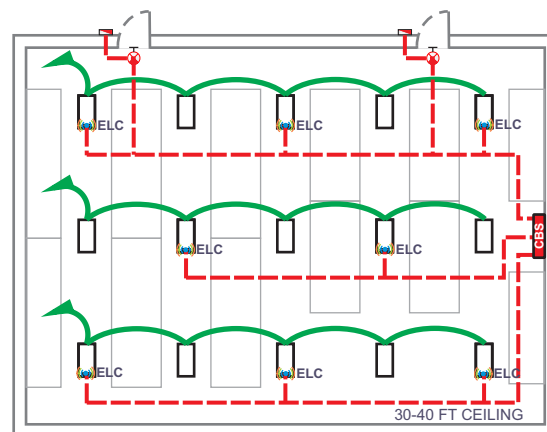
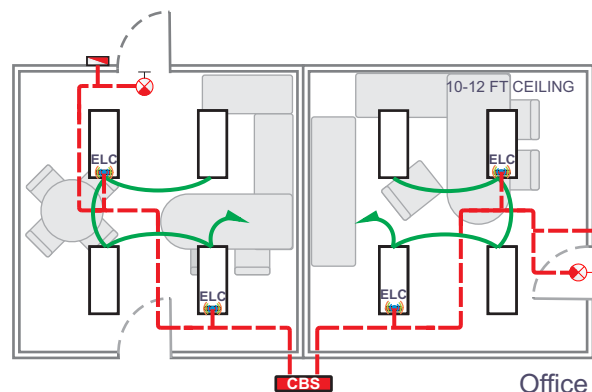
- Input 24 VDC.
- Constant emergency power output is factory adjustable from 5W to 22W (see option HP).
- Output voltage auto sensing range up to 41V.
- Adjustable emergency lumen output allows optimum settings for any fixture to equal or exceed requirements of NEC and NFPA 101 codes for varying mounting heights and other conditions.
- Available for LED fixtures operating from 10W to 70W or higher in normal mode.

### CODES

- UL Listed in compliance with UL Standard 924 and CAN/CSA C22.2 No. 141-15 for field or factory installation in Fire and Electrical Enclosure. All Sigtex Central Battery Systems and MOONLITE LED emergency fixtures are Listed to UL Standard 924.



Low Voltage Emergency Circuits



Warehouse

— EMERGENCY LIGHTING CIRCUIT: LOW VOLTAGE 24 VDC  
— NORMAL LIGHTING BRANCH CIRCUIT 120/ 277 VAC

### FIXTURE SCHEDULE

MODEL	CATALOG NO
APPROVAL	JOB INFORMATION

DESIGNED & MANUFACTURED  
IN THE USA

UL US  
LISTED

**Sigtex Inc**  
LIGHTING  
SPECIFIED EMERGENCY LIGHTING

**SUGGESTED SPECIFICATIONS:**

Supply and install Sigtex Emergency Lighting Control Series ELC which shall be capable of operating a LED general lighting fixture in emergency mode for a minimum of 90 minutes following failure of the normal power supply to the fixture, when connected to a Sigtex Central Battery System, Series CBM or CBL, with luminance level to equal or exceed the minimums required by the current NEC codes.

See Sigtex SPECIFICATION GUIDE to develop exact specifications for your specific application

**EMERGENCY OUTPUT**

**STANDARD POWER**

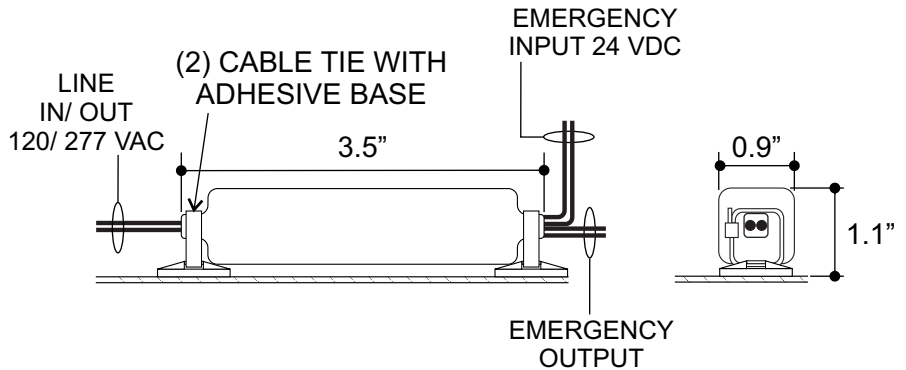
Output Voltage Range.....21- 41 VDC  
 Current Range (Settable).....100- 350 mA  
 Max Power.....14 Watts

**HIGH POWER (OPTION HP)**

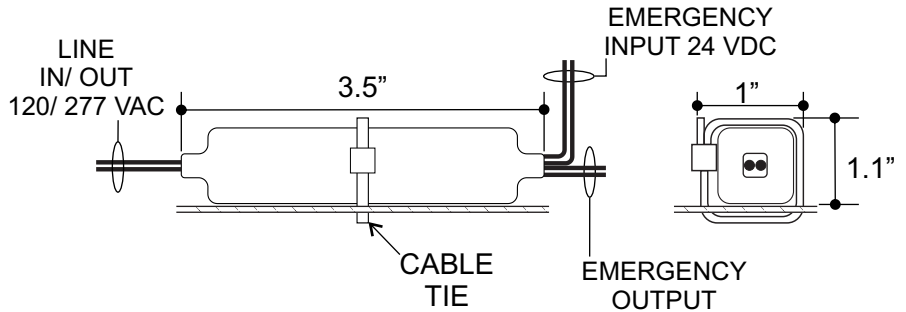
Output Voltage Range.....5 - 22 VDC  
 Current Range (Settable).....200mA- 1A  
 Max Power.....22 Watts

**Operating Temperature:** -20° to +65° C  
 Max Ambient Temperature (Ta) 65° C  
 Max Case Temperature (Tc) 80° C

**STANDARD MOUNT**



**THROUGH BASE SINGLE TIE**



**ORDERING INFORMATION: Example: ELC15P1-40W20-HP**

ELC	15	P1	-40W	20	-HP
MODEL SERIES	EMERGENCY POWER WATTS	PACKAGE TYPE	FIXTURE NORMAL POWER WATTS	NORMAL DRIVER MAX OUTPUT VOLTS	OPTIONS
ELC	X Watts <sup>1</sup>	P1	XW= X Watts	X Volts DC	HP= High Power 22W Max

<sup>1</sup> Based on lumen output required

**DISTRIBUTOR:**