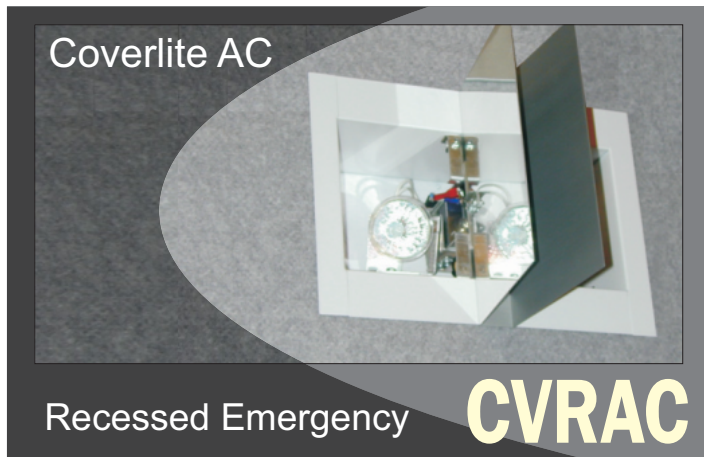
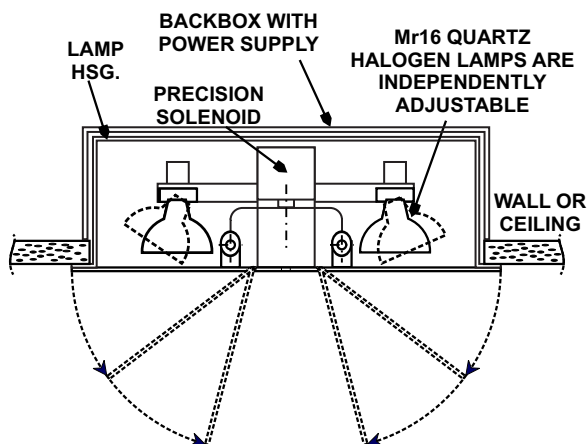


# CoverLite AC For Emergency AC Circuits

# Recessed Emergency Light Series CVRAC

CVR.12.11.00



U.S. Patent 5, 851, 061

## GENERAL DESCRIPTION

The Series CVR delivers very high lumen output, and remains hidden in normal conditions. It is ideal for locations with high ceilings, or areas requiring longer spacing between fixtures.

## CONSTRUCTION

- Following AC power failure, cover doors open instantly and provide emergency lighting to area required, with automatic retraction when AC power is restored.
- The cover doors may be color matched to any interior finish so when closed in normal mode, the unit is practically invisible.
- Universal Wall or Ceiling Mount.
- The doors are driven by a simple spring and solenoid with magnetic latch, simple and trouble-free.
- Automatic reset always returns the moving doors to the correct position after adjustments.
- Flush-fitting covers with internal reflective surfaces are mounted on composite fiber hinges for extreme durability through multiple cycles.
- No unauthorized access to the lamp heads by vandals.

## LIGHTING

- Dual MR16 Quartz Halogen lamps provide the highest intensity emergency lighting at maximum battery efficiency.
- The quartz halogen lamps remain stationary, protecting hot filaments from damage by vibration.
- IES photometric data available for all models.
- Up to 5,000 hr lamp life; typical installations will never require a lamp replacement.
- Swivel mounted lamp heads are universally adjustable and can be precisely positioned where light is needed.

## ELECTRONICS

- Isolated power supply with regulated current and voltage output to the lamp load. AC supply 120 VAC input or optional 277 VAC.
- Low power consumption in standby mode.

## CODES

- Manufactured and tested to UL Standard 924 and NFPA Life Safety Code 101.

## WARRANTY

- 3 year total customer satisfaction warranty. For details see product catalog technical data section.

## FIXTURE SCHEDULE

MODEL	CATALOG NO
APPROVAL	JOB INFORMATION

DESIGNED &  
MANUFACTURED  
IN THE USA



**Signtex Inc**  
LIGHTING  
SPECIFIED EMERGENCY LIGHTING

**SUGGESTED SPECIFICATIONS:**

Install COVERLITE Series CVRAC recessed emergency light fixture manufactured by Sigtex, Inc. In normal mode, dual lamp heads, charger and battery shall be fully recessed and covered by hinged doors with reflective internal surfaces with no exposed mounting screws. Upon loss of utility power, doors will open immediately, lamps will be energized and light will be reflected on to the path of egress. Upon restoration of utility power, lamps will extinguish and the reflective doors will automatically retract. The door linkage shall allow manual movement without breakage or misalignment. Door and lamp position shall be adjustable to allow placement of light beams to any desired position. Lamps shall be 12 VDC Quartz Halogens MR16 with total power rating up to 100 watts.

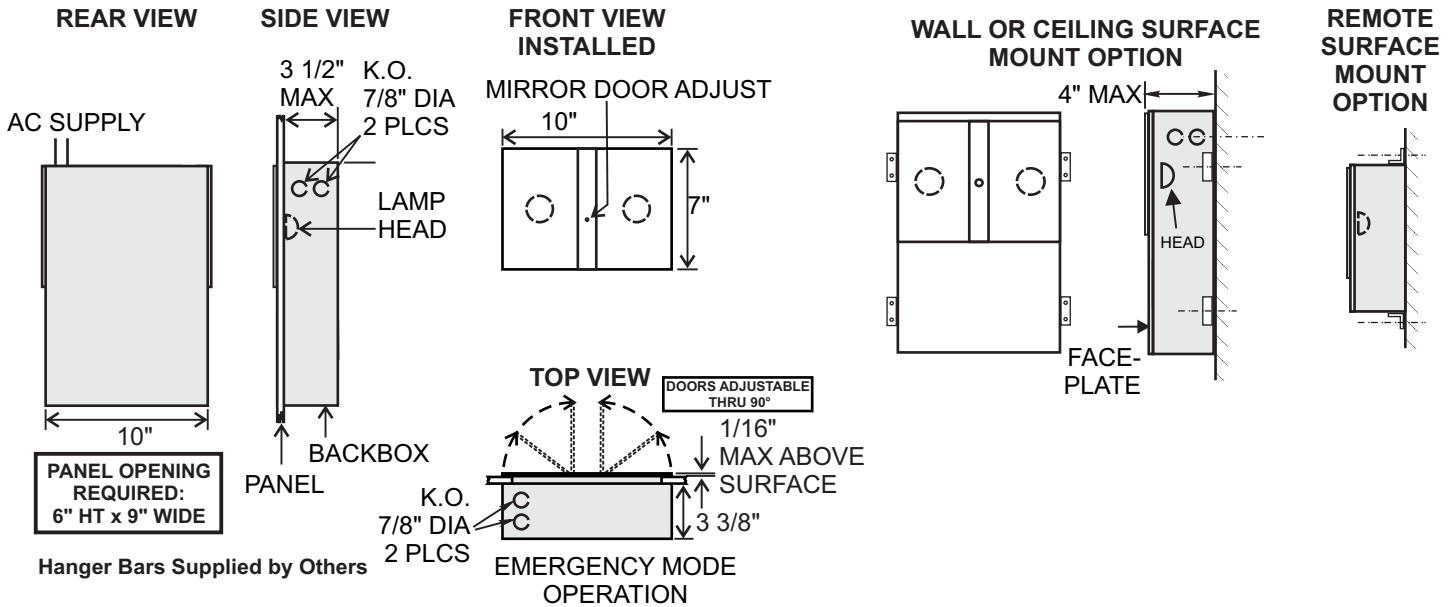
**OPTIONS:**

277 VAC Input  
Damp Location  
Surface Mount  
Custom Finish  
Custom "X" TO BE SPECIFIED

**CODE**

277  
DP  
SM  
CFX

**MOUNTING DATA & DIMENSIONS:**



**ORDERING INFORMATION: EXAMPLE: CVRAC-50-SM**

CVRAC	-50	-SM
MODEL SERIES	LAMP WATTAGE	OPTIONS
CVRAC= COVERLITE EMERGENCY LIGHT 120V INPUT	20 35 50	See Above