

FLOOR PROXIMITY EXIT SIGN

CONSTRUCTION

- Heavy duty extruded aluminum frame with 3/8" thick polycarbonate window used to enclose EMERGENCE Series EMP self-luminous sign.
- 45 Beveled edges deflect side impacts without damage. Tamper- proof mount screws prevent unauthorized removal.
- Standard finish, anodized aluminum in satin, clear or black. Custom paint or anodized colors available.
- Suitable for use in hazardous atmospheres and wet locations. Meets NEC Article 500 Class I and II conditions.

CODES AND APPROVALS

- Manufactured and tested to UL Standard 924 and Life Safety Code NFPA 101 for exit signs and floor proximity markers. Self-luminous signs also meet requirements of National Electrical Code Article 500, Class I and II conditions.

WARRANTIES

- Unconditional warranty is provided for self-luminous lighting against failure to meet required standards, as specified on the product label. See catalog for complete details.



FIXTURE SCHEDULE

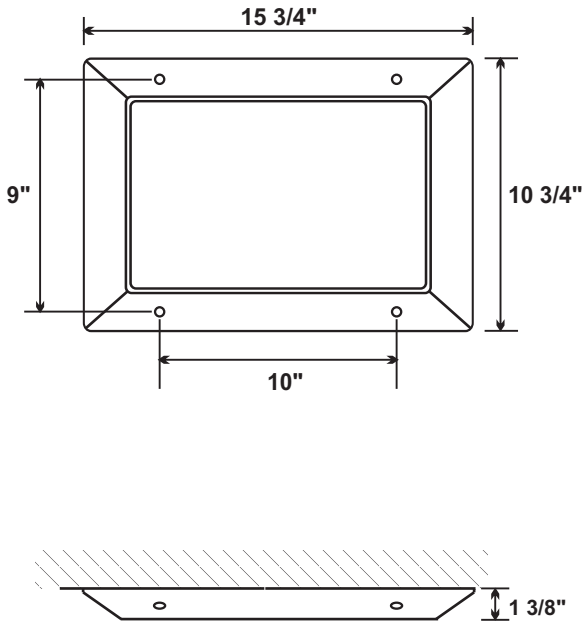
MODEL	CATALOG NO
APPROVAL	JOB INFORMATION



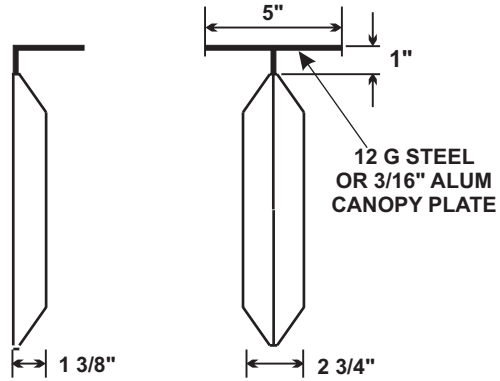
SUGGESTED SPECIFICATIONS:

Furnish and install SIGNTEX, Inc. Aluminum Security Covers Series ASH for EMERGENCE Series EMP self-luminous signs. The housing shall be of extruded aluminum of overall size not more than 15 3/4" x 10 3/4" x 1 3/8" having 45 degree beveled edges on four sides, and polycarbonate faceplate window 3/8" thick. The housing shall meet impact tests and other requirements of UL Standard 924 for Floor Proximity Exit Signs, and UL Standard 1994 for Pathway markers.

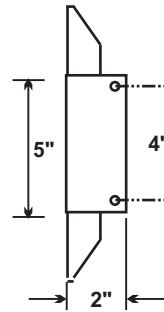
MOUNTING DATA & DIMENSIONS:



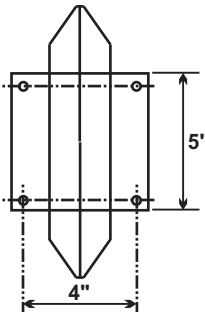
TOP MOUNT



SINGLE FACE



DOUBLE FACE



When ordered complete with

Series EMP Self- Luminous Signs: **EXAMPLE:** EMP101GB-TD-ASH

EMP	10	1	G	B	TD	ASH
MODEL SERIES	USEFUL LIFE	NO. OF FACES	FACE COLOR	HOUSING COLOR	OPTIONS/ ACCESSORIES	
EMP	10=10 YRS 20=20 YRS	1=1 2=2	R=RED G=GREEN B=BLACK "COLOR"= CUSTOM COLOR	BA= BRUSHED ALUMINUM B= BLACK "COLOR"= CUSTOM FINISH	TS=TOP MT SF TD=TOP MT DF	



Signtex Inc

LIGHTING

220 VFW Avenue, Grasonville, MD 21638
TEL: (410) 827-8300 Fax: (410) 827-8866
sales@signtexinc.com www.signtexinc.com

DISTRIBUTOR:

