

The Brightest Idea is Emergency Lighting with LEDs

GENERAL DESCRIPTION

At only 5" x 5" in width and height and 2" profile depth, this unit is the smallest emergency wall pack available. It has high lighting output, allowing fixture spacing up to 40 ft for 1Fc average illumination along the path of egress. The all-aluminum construction can be custom finished in our shop to match any interior.

CONSTRUCTION

- Extremely low profile, formed aluminum housing. Standard finish is white satin paint; custom colors are available, including brushed aluminum anodized finishes.

- Contoured prismatic lens generates a uniform elongated lighting pattern over required path of egress.

- Three versions available:

BB= Unit equipment with self-contained battery

RE= Remote for connection to 24 VDC
 Central Battery System

AC= Remote for connection to AC 120/277
 emergency supply.

ELECTRONICS

- Lamps are connected in parallel. If one lamp fails, one or more lamps will continue in operation.

- Universal 120/277 VAC input for standard battery or AC unit, or 24 VDC input for remote configuration.

- Power supply delivers regulated current and voltage to LED lamps at optimum levels to maximize lamp life.

- Automatic battery diagnostics available for all battery models.



ENERGY EFFICIENT OPERATION

- Emergency lighting with optional dual function operation for night or security lighting.
- Very low power consumption in optional night/security mode. The security lighting circuit is independent of emergency lighting and may be switched manually, by an exterior photocell, or other automatic means.
- Over 50,000 hour lamp life in normal use.
- IES photometric data available for all models.

CODES

- Manufactured and tested to UL Standard 924 and NFPA Life Safety Code 101.

WARRANTY

- 5 year total customer satisfaction warranty. For details see product catalog technical data section.

FIXTURE SCHEDULE

MODEL	CATALOG NO
APPROVAL	JOB INFORMATION



Moonlite LED® LED Egress Emergency with Night Lighting Option

Interior LED Wall Mount Series MLW

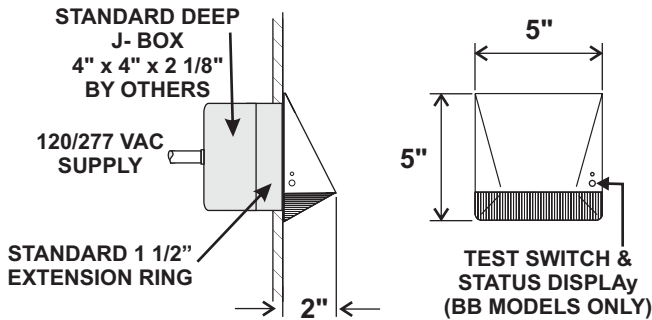
MLW.9.17.21

SUGGESTED SPECIFICATIONS:

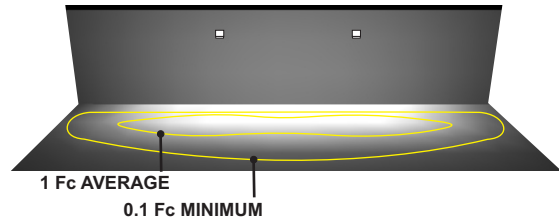
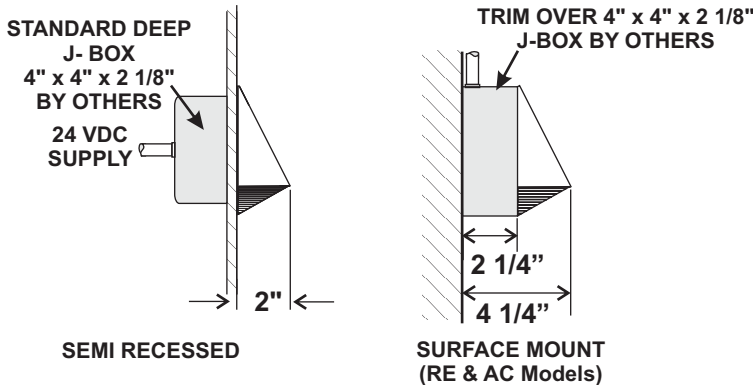
Install MOONLITE™ Series MLW Interior Wall Mount LED emergency lighting fixture manufactured by Sigtex Inc., available as unit equipment or as a remote device connected to a central battery power source. Upon loss of AC building power, emergency models shall operate for a minimum of 90 minutes in compliance with UL 924 and NFPA LSC Code 101. In remote configuration, the unit may be specified to operate continuously for security or night lighting, as required. The battery charger and power supply shall have universal input of 120/277 VAC, with brownout and LVD circuit protection. Auto battery diagnostics shall be available for all models, as specified and shall perform all test functions specified by UL 924 and NFPA 101.

MOUNTING DATA & DIMENSIONS:

BB & AC MODELS



RE MODELS



SPACING GUIDE

Average Illuminance 1 Fc

Model	Mtg. Ht.	SPACING		
		Path of Egress Width		
		3 Ft.	6 Ft.	10 Ft.
7 W	8 1/2'	40'	35'	25'
10 W	8 1/2'	45'	40'	35'

NOTE: TESTED IN ACCORDANCE WITH IES STANDARD LM-79-08 FOR SOLID STATE LIGHTING PRODUCTS. FOR REFERENCE ONLY. STANDARD REFLECTANCES 80/50/20. SIGTEX IS NOT RESPONSIBLE FOR SPECIFIC CONDITIONS THAT MAY ALTER THE RESULTS. COMPLETE IES PHOTOMETRIC DATA AVAILABLE AT WWW.SIGTEXINC.COM FOR YOUR CONVENIENCE.

CONTACT SIGTEX FOR LAYOUT ASSISTANCE
Code Compliant Emergency lighting layouts provided free of charge!

SELF-TEST DIAGNOSTIC FUNCTIONS

BB MODELS WITH DG FUNCTION

STATUS	LED DISPLAY
NORMAL FULL CHARGE	GREEN ON
NORMAL FAST CHARGE	ORANGE ON
FAILED BATTERY	RED FLASH FAST
FAILED LAMP	GREEN FLASH
FAILED TRANSFER	ORANGE FLASH
FAILED CHARGER	RED FLASH SLOW

POWER RATING

MODEL	OPERATION	WATTS	
BB	Emergency	7	10
	SEC/ Normal On	4	5
RE	Emergency	7	10
	SEC- Standard	4	5
	SEC- HPS	7	10
AC	Line Voltage	4	7

SECURITY LIGHTING CONTROL

RE Models: Requires SEC Option 'S' with CBL
BB Models: Requires Option '-SB120' for connection to 120 VAC
 Requires Option '-SD277' for connection to 277 VAC
BB-DG Models: Requires Option '-SD' for connection to 120/ 277 VAC

ORDERING INFORMATION: **EXAMPLE:** MLWRE7W-DP

MLW	RE	7	W	DP
MODEL SERIES	OPERATION	WATTS	TRIM COLOR	OPTIONS
MLW	BB= Battery Backup RE= Remote with Central Battery System AC= AC Supply 120/277V	BB & RE Models 7 = 7 Watts 10 = 10 Watts AC Models 4 = 4 Watts 7 = 7 Watts	W=White 'X'=Custom	DG= Battery Diagnostics (BB Models Only) DP= Damp Location SB120= Security Lighting with Control Switch for Standard BB Operation (120V) SD277= Security Lighting with Control Switch for Standard BB Operation (277V) SD= Security Lighting with Control Switch for BB Operation with DG option (120/ 277V) HPS= High Power in SEC Mode (RE Models Only) ST= Surface Mount Trim (RE & AC Models Only)



Sigtex Inc
LIGHTING

220 VFW Avenue, Grasonville, MD 21638
 TEL: (410) 827-8300 Fax: (410) 827-8866
 sales@sigtexinc.com www.sigtexinc.com

DISTRIBUTOR:

Specifications and Dimensions subject to change without notice.