

Emergency Lighting Control For Use With Series CBS Central Battery System for Emergency Lighting

Series ELC-P3
Type P3

ELCP3.07.16.08

GENERAL DESCRIPTION

ELC converts an LED luminaire to emergency lighting operation, powered from a Sigtex central battery system. Constant power output is factory adjustable to optimize emergency illumination level and fixtures may be on, off, switched or dimmed in normal mode without affecting emergency operation. General lighting fixtures with ELC may be combined with MOONLITE LED™ emergency luminaires and exits in the central battery system, as required.

Typical applications for Type P3 may include high-bay high power luminaires with normal power range from 30W to 300W or higher, and AC LED driver output up to 126V.

All Sigtex central battery systems Series CBL and CBM include fully automatic self-test, self-diagnostics. Series CBM includes the MARS™ Monitoring and Reporting System which provides cloud-based internet communication and fault reports delivered automatically via email for all components of the emergency system.

CONSTRUCTION & OPERATION

- Factory or field installable in the Fire and Electrical Enclosure of listed fixtures.
- Normal lighting operation is not affected by ELC operation.
- Compatible with all types of dimming and lighting controls.
- Standard mount= Hi temp VHB DF tape. Optional flange for screw mount.

ELECTRICAL

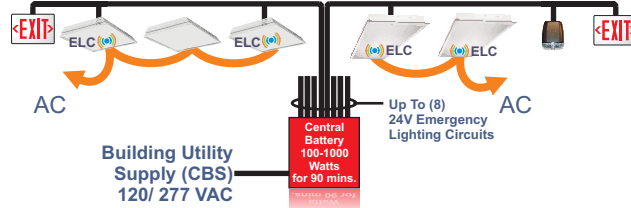
- Input 24 VDC.
- Constant emergency power output is factory adjustable from 5W to 45W.
- Up to 4 Channel output for operation in luminaires with up to 4 drivers.
- Input voltage option to 480 VAC.
- Output voltage auto sensing range from 21V to 126V.
- Adjustable emergency lumen output allows optimum settings for any fixture to equal or exceed requirements of NEC and NFPA 101 codes for varying mounting heights and other conditions.
- Available for LED fixtures operating from 30W to 300W or higher in normal mode.

CODES

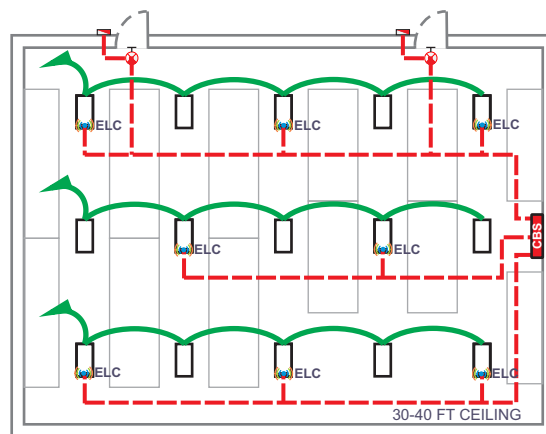
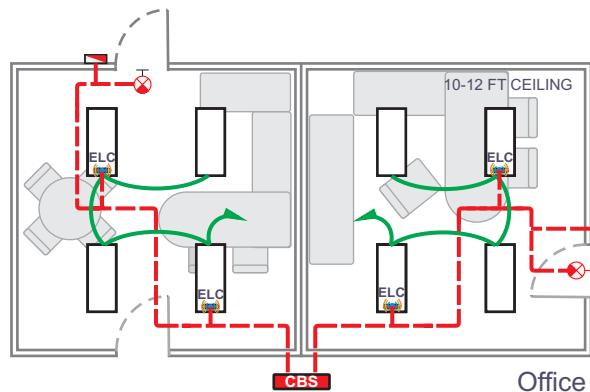
- Recognized component in compliance with UL Standard 924 and CSA C22.2 No. 141 for field or factory installation in Fire and Electrical Enclosure. All Sigtex Central Battery Systems and MOONLITE LED emergency fixtures are UL Listed to Standard 924.

FIXTURE SCHEDULE

MODEL	CATALOG NO
APPROVAL	JOB INFORMATION



Low Voltage Emergency Circuits



Warehouse



DESIGNED & MANUFACTURED
IN THE USA

RECOGNIZED COMPONENT
ETL US
Intertek
2003529
Conforms to UL 924
Certified to CSA 22.2 #141

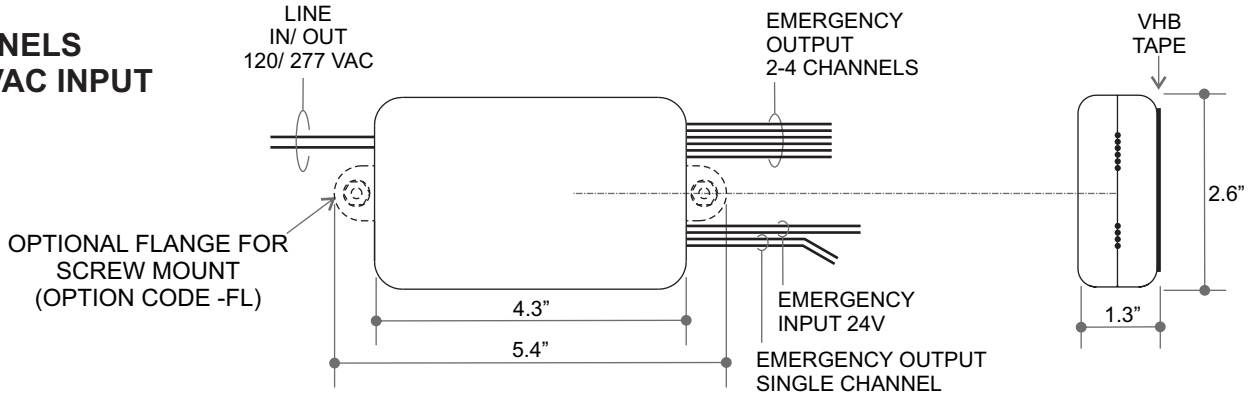
Sigtex Inc
LIGHTING
SPECIFIED EMERGENCY LIGHTING

SUGGESTED SPECIFICATIONS:

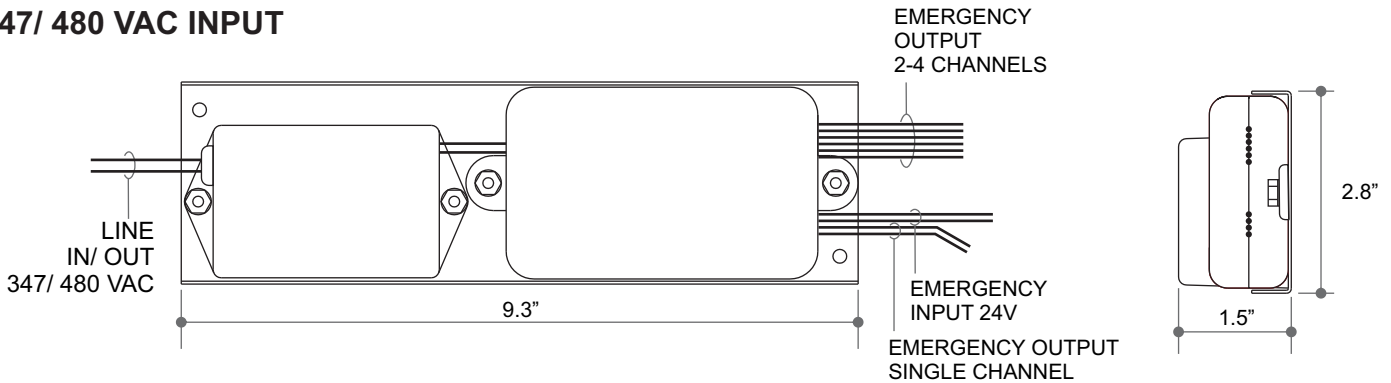
Supply and install Sigtex Emergency Lighting Control Series ELC which shall be capable of operating a LED general lighting fixture in emergency mode for a minimum of 90 minutes following failure of the normal power supply to the fixture, when connected to a Sigtex Central Battery System, Series CBM or CBL, with luminance level to equal or exceed the minimums required by the current NEC codes.

See Sigtex SPECIFICATION GUIDE to develop exact specifications for your specific application

1-4 CHANNELS
120/ 277 VAC INPUT



1-4 CHANNELS
347/ 480 VAC INPUT



EMERGENCY OPERATION

Output Voltage Range.....21- 126 VDC
 Current Range (Settable).....200- 1050 mA
 Max Power.....45 Watts

Operating Temperature: -40° to +65° C

Max Ambient Temperature (Ta) 65° C
 Max Case Temperature (Tc) 85° C

UL Conditions of Acceptability: Wiring must be installed within a Fire and Electrical Enclosure and light output must exceed 1 ft Candle at 7' 3" from sample.

ORDERING INFORMATION: Example: ELC12P3-48W60-CH2

ELC	12	P3	-48W	60	-CH2
MODEL SERIES	EMERGENCY POWER WATTS	PACKAGE TYPE	FIXTURE NORMAL POWER WATTS	NORMAL DRIVER MAX OUTPUT VOLTS	OPTIONS
ELC	X Watts ¹	P3	XW= X Watts	X Volts DC	CHX = X Channels ² HV= 347/ 480 VAC Input ³ FL= Flange Screw Mount

¹ Based on lumen output required
² X= Number of normal drivers installed

DISTRIBUTOR: