

The Brightest Idea is Emergency Lighting with LEDs

GENERAL DESCRIPTION

With spacing up to 55 ft in 9 ft ceilings, this recessed down light for lighting retrofit has only a 4" trim, and is our most efficient emergency luminaire. Very effective in long corridors, it is inconspicuous and will blend with general lighting fixtures without affecting the appearance of ceiling layouts. It operates from the Central Battery System Series CBS.



CONSTRUCTION

- 4" Trim ring installation with standard can and back plate.

- Two versions available:

RE=Remote for connection to Central Battery System

AC=Remote for connection to AC 120/277 emergency supply.

ENERGY EFFICIENT OPERATION

- Dual function operation for night or security lighting as well as emergency lighting.

- Very low power consumption in night/ security mode. This unit offers tremendous energy savings when compared to any fluorescent or incandescent lighting systems during night operations.

- Over 50,000 hour lamp life in normal use.

- IES photometric data available for all models.

ELECTRONICS

- Lamps are connected in parallel. If one lamp fails, one or more lamps will continue in operation.

- Universal 24 VDC input for remote configuration.

- LED driver regulates current and voltage to LED lamps at optimum levels to maximize lamp life.

CODES

- Manufactured and tested to UL Standard 924 and NFPA Life Safety Code 101.

WARRANTY

- 5 year total customer satisfaction warranty. For details see product catalog technical data section.



FIXTURE SCHEDULE

MODEL	CATALOG NO
APPROVAL	JOB INFORMATION

Moonlite™

Emergency & Security Light

Operating from Central Battery System Series CBS

Recessed LED Down Light For Lighting Retrofit

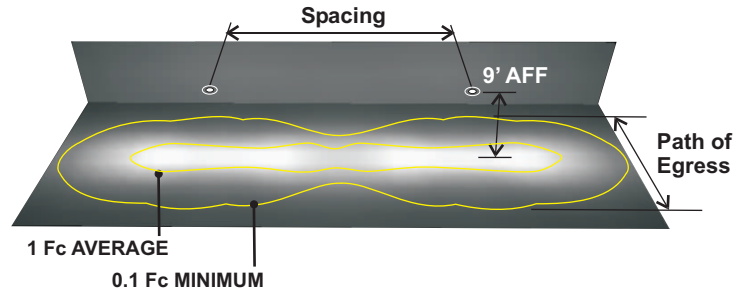
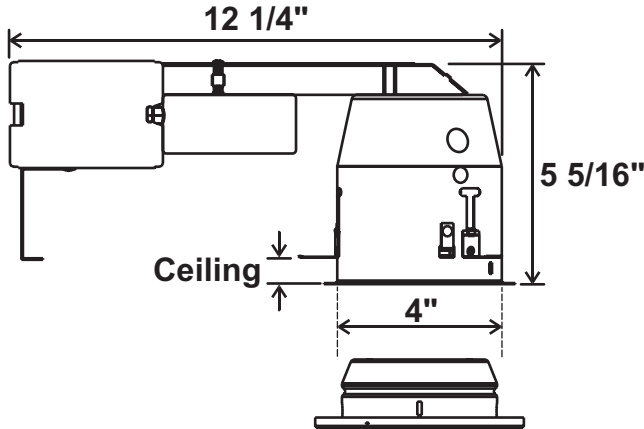
Series MRD

MRD.03.10.3

SUGGESTED SPECIFICATIONS:

Install MOONLITE™ Series MRD Recessed LED downlight emergency lighting fixture manufactured by Sigtex Inc., available as a remote device connected to a Central Battery power source. Upon loss of AC building power, lighting will be activated for a minimum of 90 minutes under battery power, in compliance with UL 924 and NFPA LSC Code 101. The unit may be specified to operate continuously for security or night lighting, as required.

MOUNTING DATA & DIMENSIONS:



SPACING GUIDE Average Illuminance 1 Fc

Model	Mtg. Ht.	SPACING		
		Path of Egress Width		
		3 Ft.	6 Ft.	10 Ft.
10 L2	9'	50'	40'	25'
15 L3	9'	55'	50'	40'

NOTE: TESTED IN ACCORDANCE WITH IES STANDARD LM-79-08 FOR SOLID STATE LIGHTING PRODUCTS. FOR REFERENCE ONLY. STANDARD REFLECTANCES 80/50/20. SIGTEX IS NOT RESPONSIBLE FOR SPECIFIC CONDITIONS THAT MAY ALTER THE RESULTS. COMPLETE IES PHOTOMETRIC DATA AVAILABLE AT WWW.SIGTEXINC.COM FOR YOUR CONVENIENCE.

CONTACT SIGTEX FOR LAYOUT ASSISTANCE
Code Compliant Emergency lighting layouts provided free of charge!

SECURITY/NIGHT LIGHTING POWER RATING (SPR)

The Catalog Number for MOONLITE LED fixtures specifies the number of lamps used:

L2 = Two LED lamps per fixture

L3 = Three LED lamps per fixture

For the total SPR per fixture, multiply the number of lamps by the power ratings below:

STANDARD: 2 WATTS PER LED

CUSTOM: 5 WATTS MAX PER LED*

* Varies by Model. Contact factory for information.

ORDERING INFORMATION: EXAMPLE: MRDRE15L3W-DP

MRD	RE	15L3	W	DP
MODEL SERIES	OPERATION	EMERGENCY POWER RATING	TRIM COLOR	OPTIONS
MRD	RE= Remote with Central Battery System AC= AC Supply 120/277V	10L2 = 10 Watts / 2 lamp 15L3 = 15 Watts / 3 Lamp 8L2 = 8 Watts AC 12L3 = 12 Watts AC	W=White 'X'=Custom	DP=Damp Location



Sigtex Inc

LIGHTING

220 VFW Avenue, Grasonville, MD 21638

TEL: (410) 827-8300 Fax: (410) 827-8866

sales@sigtexinc.com www.sigtexinc.com

DISTRIBUTOR:

Specifications and Dimensions subject to change without notice.